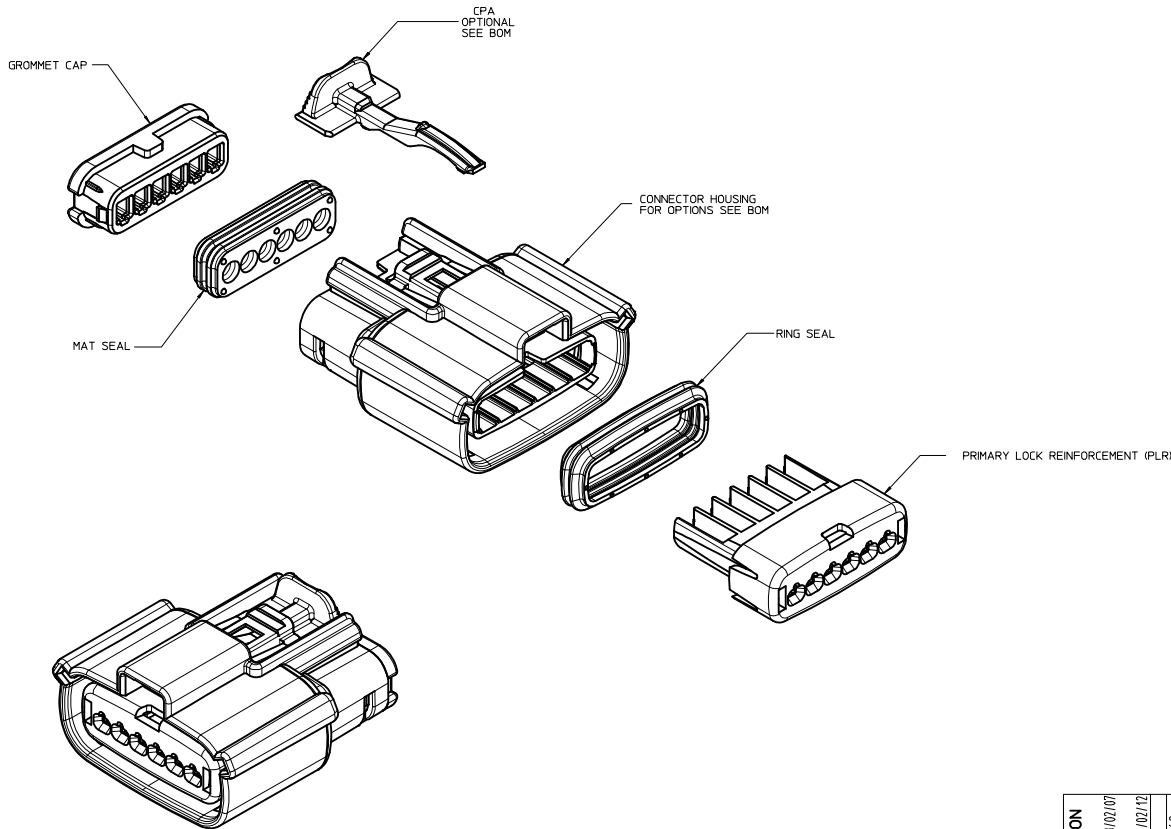


TABLE OF CONTENTS	
SHEET NO.	SHEET DESCRIPTION
1	NOTES
2	KEY CONFIGURATIONS
3	RECEPTACLE SEALED ASSEMBLY
4	BOM



NOTES: VALID UNLESS OTHERWISE SPECIFIED

1. GENERAL:
  - a. APPLICATION SPECIFICATION SEE: AS-33472-100  
 -CONTAINS: PRODUCT INTRODUCTION, PRODUCT SUMMARY, CONNECTOR ASSEMBLY, PACKAGING INFORMATION, CONNECTOR MATING, SERVICE INSTRUCTIONS, ELECTRICAL CONTINUITY CHECKING, CRIMPING, AND TROUBLESHOOTING.  
 -DESIGNED TO MATE WITH DEVICE CONNECTION AS SPECIFIED IN DRAWING EWCAP 150-S-006-1-Z03, AVAILABLE AT <http://ewcap.uscorparts.com/>  
 -DESIGNED TO MATE WITH BLADE SEALED ASSEMBLY AS SPECIFIED IN DRAWING SD-33481-061  
 -FOR 15mm RECEPTACLE TERMINALS TO BE USED WITH THIS ASSEMBLY, SEE MOLEX DRAWING SD-33012-002.  
 -SYSTEM TO BE USED WITH WIRE WITHIN DIAMETER RANGE OF 1.2 mm TO 2.69 mm.  
 -ASSEMBLY SHIPPED WITH PLR AND CPA IN PRE-LOCK POSITION (SEE SECTION 2-2 PRE-LOCK).  
 -IN THE EVENT THAT THE PLR IS FOUND IN THE SEATED (FINAL LOCK) POSITION, REFER TO MOLEX SPECIFICATION PS-34646-001, AVAILABLE AT www.molex.com <http://www.molex.com>.  
 -ASSEMBLY CONFORMS TO SAE/J59CAR-2 REV.4 WITH THE FOLLOWING EXCEPTIONS: ENGAGEMENT FORCE TO MOVE CPA FROM PRE-LOCK TO FINAL LOCK POSITION WHEN UNMATED: 40N MIN.  
 DISENGAGEMENT FORCE TO MOVE CPA FROM FINAL LOCK TO PRE-LOCK POSITION: 3N MIN. 40N MAX  
 TERMINAL INSERTION FORCE FOR WIRE DIAMETER ABOVE 2.5mm NOT EXCEEDING 2.69mm SHALL NOT EXCEED 40 NEWTONS.
  - b. PRODUCT SPECIFICATION SEE: PS-33471-000  
 CONTAINS: PRODUCT INTRODUCTION, PRODUCT SUMMARY, RATINGS (CURRENT, TEMPERATURE, SEALING, AND FLAMMABILITY), AND PRODUCT VALIDATION.
  - c. PACKAGING SPECIFICATION PER MOLEX DRAWING: PK-31300-903
  - d. PARTS MUST BE IN COMPLIANCE TO MOLEX CHEMICAL SUBSTANCES FOR PRODUCTS AND PACKAGING SPECIFICATION: ES-40000-5016
  - e. DATA MUST BE SUBMITTED UNDER THE MOLEX PART NUMBER TO IMDS (COMPANY ID=12255)
2. DESIGN - MATERIALS:
  - a. CONNECTOR HOUSING, GROMMET CAP, PLR: SPS/NYLON BLEND 20% GLASS FILLED
  - b. CPA: PBT 20% GLASS FILLED
  - c. MAT SEAL AND RING SEAL: INHERENTLY LUBRICATED SILICONE
3. DESIGN - GEOMETRY:
  - a. THIS IS A 100% CAD GENERATED PART. THE CAD MATHEMATICAL DATA IS THE MASTER FOR THIS PART. FOR DIMENSIONAL OR ANY INFORMATION NOT SHOWN ON THIS DRAWING, ANALYZE THE CAD MODEL.
  - b. GEOMETRIC DIMENSIONS AND TOLERANCES PER ASME Y14.5M - 1994.
  - c. EDGES AND UNDIMENSIONED DETAILS PER ISO13715
  - d. CORNERS SHOWN AS SHARP TO BE R 0.2 MAX.
  - e. LETTERING SHALL BE 0.15 MAX RAISED IN 0.25 MAX RECESS PAD. THIS INCLUDES RECYCLING CODE, CAVITY ID, VENDOR IDENTIFICATION, AND CUSTOMER MATERIAL NUMBER.
  - f. VISUAL DEFECTS SHALL MEET COSMETIC STANDARD PS-45499-002 (Class B)
  - g. LASER MARKING: TBD

INSPECTION NUMBER LOG  
 LAST NUMBER USED: 5  
 ADDED:  
 REMOVED:

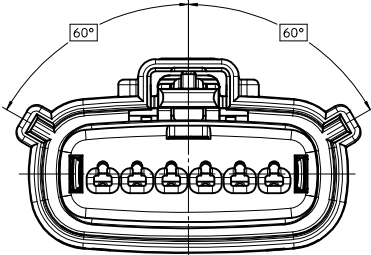
SCALE	DESIGN UNITS	THIRD ANGLE PROJECTION
3:1	METRIC	

ENTER DESCRIPTION DEC NO: UAU2013-1255 DRAWN BY: S2 CHKD: APPR: IKOSHY 2013/02/12 REV:	QUALITY SYMBOLS	GENERAL TOLERANCES (UNLESS SPECIFIED)	DIMENSION STYLE	SCALE	DESIGN UNITS	THIRD ANGLE PROJECTION
	▽=0	4 PLACES ± --- ± ---	MM ONLY	3:1	METRIC	
	▽=0	3 PLACES ± --- ± ---				
	▽=0	2 PLACES ± 0.10 ± ---				
		1 PLACE ± 0.3 ± ---				
		0 PLACE ± ±				
		ANGULAR ± 3 °				
		DRAFT WHERE APPLICABLE MUST REMAIN WITHIN DIMENSIONS				
			MATERIAL NO.	DOCUMENT NO.	SHEET NO.	
			SEE BOM	SD-33471-061	1 OF 4	
			SIZE D	THIS DRAWING CONTAINS INFORMATION THAT IS PROPRIETARY TO MOLEX INCORPORATED AND SHOULD NOT BE USED WITHOUT WRITTEN PERMISSION		

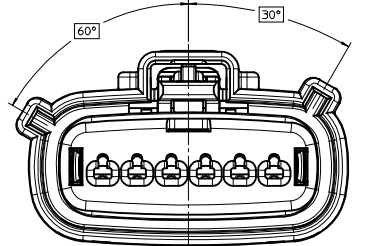
TITLE  
**MX150 1X6 RECEPTACLE SEALED ASSEMBLY MAT SEAL**



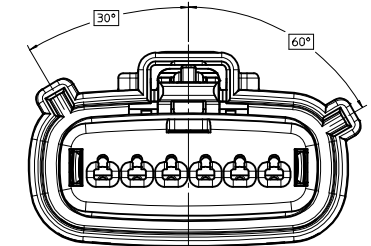
KEY CONFIGURATIONS



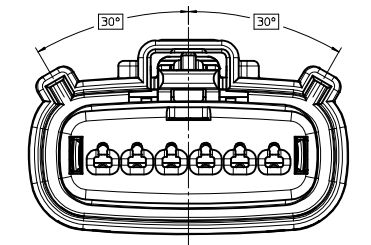
KEY A



KEY B



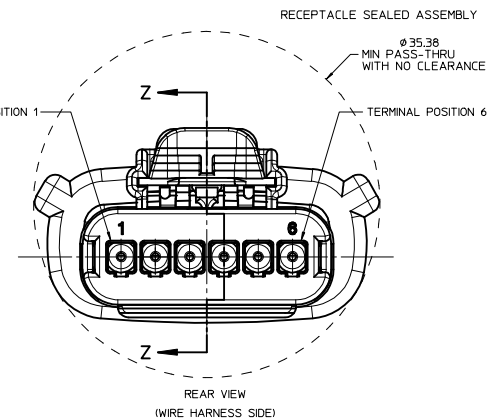
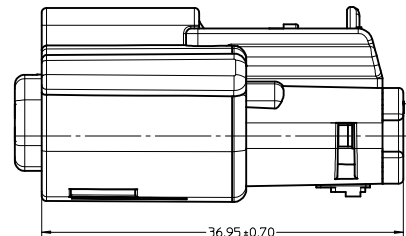
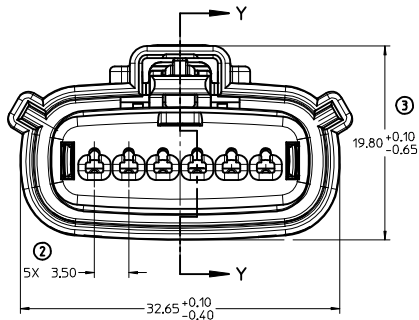
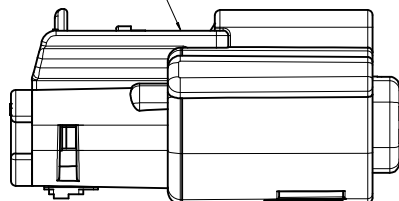
KEY C



KEY D

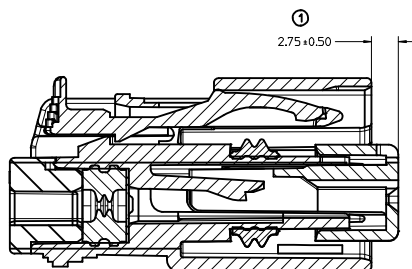
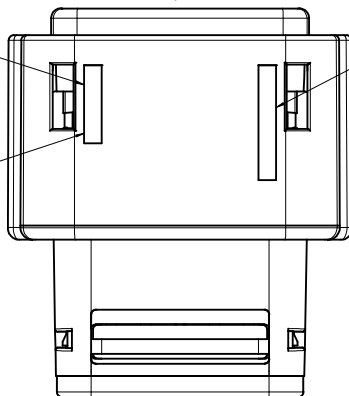
<b>ENTER DESCRIPTION</b> IEC NO: UAU2013-1255 DRAWN BY: 2013/02/07 CHKD: WOSHY APPR: WOSHY 2013/02/12	QUALITY SYMBOLS ▽=0 ▽=0 ▽=0	GENERAL TOLERANCES (UNLESS SPECIFIED)		DIMENSION STYLE <b>MM ONLY</b>	SCALE <b>4:1</b>	DESIGN UNITS <b>METRIC</b>	THIRD ANGLE PROJECTION
		4 PLACES ± mm ± INCH	DRAWN BY DGRIFITHS	DATE 06-03-03	TITLE <b>MX150 1X6 RECEPTACLE SEALED ASSEMBLY MAT SEAL</b>		
		3 PLACES ± 0.10 ± ---	CHECKED BY DGRIFITHS	DATE 06-03-03	MATERIAL NO. <b>SEE BOM</b>		
		2 PLACES ± 0.3 ± ---	APPROVED BY DGRIFITHS	DATE 06-03-03	DOCUMENT NO. <b>SD-33471-061</b>	SHEET NO. 2 OF 4	

LASER MARKING THIS SURFACE  
SEE NOTE 3g.



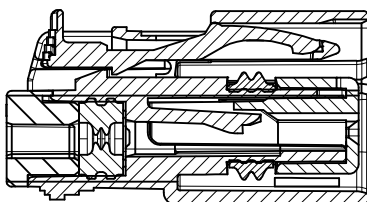
MOLD CAVITY CODE RECYCLE CODE

LOCATION CODE



PRIMARY LOCK REINFORCEMENT (PLR) SHOWN  
IN PRE-STAGED POSITION

SECTION Z-Z



PRIMARY LOCK REINFORCEMENT (PLR) SHOWN  
IN FINAL-LOCK POSITION

SECTION Y-Y

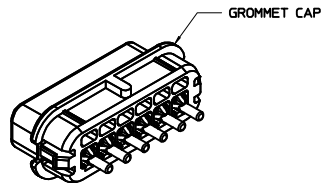
<b>ENTER DESCRIPTION</b> IEC NO: UAU2013-1255 DRAWN BY: 2013/02/07 CHKD: APPR: WOSHY 2013/02/12	QUALITY SYMBOLS	GENERAL TOLERANCES (UNLESS SPECIFIED)	DIMENSION STYLE	SCALE	DESIGN UNITS	THIRD ANGLE PROJECTION	
	∇=0 ∇=0 ∇=0	mm INCH 4 PLACES ± --- ± --- 3 PLACES ± --- ± --- 2 PLACES ± 0.10 ± --- 1 PLACE ± 0.3 ± --- 0 PLACE ± ±	MM ONLY	4:1	METRIC	DRAWN BY: DGRIFITHS DATE: 06-03-03 CHECKED BY: DATE DGRIFITHS 06-03-03 APPROVED BY: DATE DGRIFITHS 06-03-03	TITLE: MX150 1X6 RECEPTACLE SEALED ASSEMBLY MAT SEAL molex DOCUMENT NO. SD-33471-061
	ANGULAR ± 3 ° DRAFT WHERE APPLICABLE MUST REMAIN WITHIN DIMENSIONS	MATERIAL NO. SEE BOM SIZE D	SHEET NO. 3 OF 4				
	THIS DRAWING CONTAINS INFORMATION THAT IS PROPRIETARY TO MOLEX INCORPORATED AND SHOULD NOT BE USED WITHOUT WRITTEN PERMISSION						

ASSEMBLY PART NUMBER	COLOR	KEYING OPTION	CAVITY TYPE & STATUS (X = PLUGGED)						CPA	STATUS
			1	2	3	4	5	6		
33471-0601	BLACK	A							-	SALEABLE
33471-0602	LT. GRAY	B							-	
33471-0603	BROWN	C							-	
33471-0604	GREEN	D							-	
33471-0605	YELLOW	A							-	SALEABLE
33471-0606	BLACK	A							YES	SALEABLE
33471-0607	LT. GRAY	B							YES	
33471-0608	BROWN	C							YES	
33471-0609	GREEN	D							YES	
33471-0610	YELLOW	A							YES	SALEABLE
33471-0611	BLACK	A						X	-	SALEABLE
33471-0612	LT. GRAY	B						X	-	
33471-0613	BROWN	C						X	-	
33471-0614	GREEN	D						X	-	
33471-0615	YELLOW	A						X	-	SALEABLE
33471-0616	BLACK	A						X	YES	SALEABLE
33471-0617	LT. GRAY	B						X	YES	
33471-0618	BROWN	C						X	YES	
33471-0619	GREEN	D						X	YES	
33471-0620	YELLOW	A						X	YES	SALEABLE
33471-0621	BLACK	A	X					X	-	SALEABLE
33471-0622	LT. GRAY	B	X					X	-	
33471-0623	BROWN	C	X					X	-	
33471-0624	GREEN	D	X					X	-	
33471-0625	YELLOW	A	X					X	-	SALEABLE
33471-0626	BLACK	A	X					X	YES	SALEABLE
33471-0627	LT. GRAY	B	X					X	YES	
33471-0628	BROWN	C	X					X	YES	
33471-0629	GREEN	D	X					X	YES	
33471-0630	YELLOW	A	X					X	YES	SALEABLE
33471-0631	BLACK	A	X	X	X	X	X	X	-	SALEABLE
33471-0632	LT. GRAY	B	X	X	X	X	X	X	-	
33471-0633	BROWN	C	X	X	X	X	X	X	-	
33471-0634	GREEN	D	X	X	X	X	X	X	-	
33471-0635	YELLOW	A	X	X	X	X	X	X	-	SALEABLE
33471-0650	BLACK	A				X			-	SALEABLE
33471-0651	BLACK	A	X	X	X	X	X	X	YES	SALEABLE
33471-0652	BLACK	A				X			YES	SALEABLE
33471-0653	BLACK	A				X			YES	SALEABLE
33471-0654	BLACK	A				X			-	SALEABLE
33471-0655	BLACK	A				X	X	X	-	SALEABLE
33471-0656	BLACK	A				X			-	SALEABLE
33471-0657	BLACK	A				X			-	SALEABLE
33471-0658	BLACK	A	X	X	X	X			-	SALEABLE

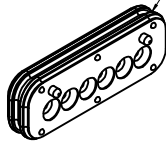
(S2)

<b>ENTER DESCRIPTION</b> IEC NO. UAU2013-1255 DRAWN BY: [Signature] CHKD: [Signature] APPR: WKOSHY 2013/02/07 2013/02/12	QUALITY SYMBOLS	GENERAL TOLERANCES (UNLESS SPECIFIED)	DIMENSION STYLE	SCALE	DESIGN UNITS	THIRD ANGLE PROJECTION
	▽=0	4 PLACES ± mm ± INCH	MM ONLY		METRIC	
	▽=0	3 PLACES ± 0.10 ± 0.004 ± 0.0015	DRAWN BY DATE	DGRIF ITHS 06-03-03	TITLE	
	▽=0	2 PLACES ± 0.3 ± 0.012 ± 0.0045	CHECKED BY DATE	DGRIF ITHS 06-03-03	MX150 1X6 RECEPTACLE SEALED ASSEMBLY MAT SEAL	
		1 PLACE ± 0.3 ± 0.012 ± 0.0045	APPROVED BY DATE	DGRIF ITHS 06-03-03	molex	
		0 PLACE ± ±	MATERIAL NO.	SEE BOM	DOCUMENT NO.	SHEET NO.
		ANGULAR ± 3 °			SD-33471-061	4 OF 4
		DRAFT WHERE APPLICABLE MUST REMAIN WITHIN DIMENSIONS	THIS DRAWING CONTAINS INFORMATION THAT IS PROPRIETARY TO MOLEX INCORPORATED AND SHOULD NOT BE USED WITHOUT WRITTEN PERMISSION			

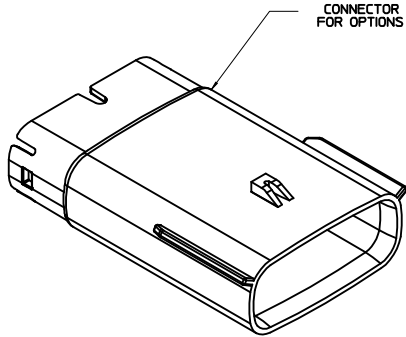
TABLE OF CONTENTS	
SHEET NO.	SHEET DESCRIPTION
1	NOTES
2	KEY CONFIGURATIONS
3	BLADE SEALED ASSEMBLY
4	SYSTEM PACKAGING
5	BOM



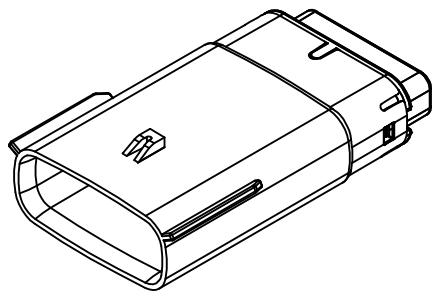
GROMMET CAP



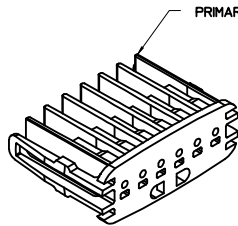
MAT SEAL



CONNECTOR HOUSING FOR OPTIONS SEE BOM



PRIMARY LOCK REINFORCEMENT (PLR)



NOTES: VALID UNLESS OTHERWISE SPECIFIED

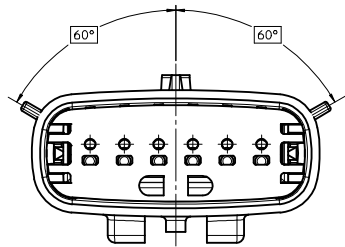
1. GENERAL:
  - a. APPLICATION SPECIFICATION SEE: AS-33472-100  
CONTAINS: PRODUCT INTRODUCTION, PRODUCT SUMMARY, CONNECTOR ASSEMBLY, PACKAGING INFORMATION, CONNECTOR MATING, SERVICE INSTRUCTIONS, ELECTRICAL CONTINUITY CHECKING, CRIMPING, AND TROUBLESHOOTING.  
-DESIGNED TO MATE WITH RECEPTACLE SEALED ASSEMBLY SPECIFIED IN MOLEX DRAWING SD-33471-061.  
-FOR 1.5mm BLADE TERMINALS TO BE USED WITH THIS ASSEMBLY SEE MOLEX DRAWING SD-33000-001.  
-SYSTEM TO BE USED WITH WIRE WITHIN DIAMETER RANGE OF 1.2mm TO 2.69mm.  
-ASSEMBLY SHIPPED WITH PLR IN PRE-LOCK POSITION  
-IN THE EVENT THAT THE PLR IS FOUND IN THE SEATED (FINAL LOCK) POSITION, REFER TO MOLEX SPECIFICATION PS-34646-001, AVAILABLE AT [www.molex.com](http://www.molex.com) -<http://www.molex.com>  
-ASSEMBLY CONFORMS TO SAE/USCAR-2 REV.4 WITH THE FOLLOWING EXCEPTIONS: TERMINAL INSERTION FORCE FOR WIRE DIAMETER ABOVE 2.5mm NOT EXCEEDING 2.69mm SHALL NOT EXCEED 45 NEWTONS.
  - b. PRODUCT SPECIFICATION SEE: PS-33471-000  
CONTAINS: PRODUCT INTRODUCTION, PRODUCT SUMMARY, RATINGS (CURRENT, TEMPERATURE, SEALING, AND FLAMMABILITY), AND PRODUCT VALIDATION.
  - c. PACKAGING SPECIFICATION PER MOLEX DRAWING: PK-31300-635
  - d. PARTS MUST BE IN COMPLIANCE TO MOLEX CHEMICAL SUBSTANCES FOR PRODUCTS AND PACKAGING SPECIFICATION: ES-40000-5016
  - e. DATA MUST BE SUBMITTED UNDER THE MOLEX PART NUMBER TO IMDS (COMPANY ID#13255)
2. DESIGN - MATERIALS:
  - a. CONNECTOR HOUSING, GROMMET CAP, PLR: SPS/NYLON BLEND 20% GLASS FILLED
  - b. MAT SEAL: INHERENTLY LUBRICATED SILICONE
3. DESIGN - GEOMETRY:
  - a. THIS IS A 100% CAD GENERATED PART. THE CAD MATHEMATICAL DATA IS THE MASTER FOR THIS PART. FOR DIMENSIONAL OR ANY INFORMATION NOT SHOWN ON THIS DRAWING, ANALYZE THE CAD MODEL.
  - b. GEOMETRIC DIMENSIONS AND TOLERANCES PER ASME Y14.5M - 1994
  - c. EDGES AND UNDIMENSIONED DETAILS PER ISO13715
  - d. CORNERS SHOWN AS SHARP TO BE R 0.2 MAX.
  - e. LETTERING SHALL BE 0.15 MAX RAISED IN 0.25 MAX RECESS PAD. THIS INCLUDES RECYCLING CODE, CAVITY ID, VENDOR IDENTIFICATION, AND CUSTOMER MATERIAL NUMBER.
  - f. VISUAL DEFECTS SHALL MEET COSMETIC STANDARD PS-45499-002 (Class B)
  - g. LASER MARKING: TBD

INSPECTION NUMBER LOG  
LAST NUMBER USED: 8  
ADDED:  
REMOVED:

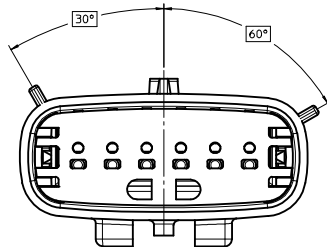
REV	DESCRIPTION
S	UPDATED GROMMET CAP
R1	UPDATED DIMENSIONS TO MATCH MODEL
R	COLOR REPLACEMENT FOR KEY C AND D PER USCAR STANDARD
D	REDRAWN

REVISED E.C. NO: UAU2013-1487 DRAWN/PROFIT: 2013/03/26 CHKD/MDLCK APPR:VKOSHY	QUALITY SYMBOLS ∇=0 ∇=0 ∇=0	GENERAL TOLERANCES (UNLESS SPECIFIED): mm      INCH 4 PLACES ± --- ± --- 3 PLACES ± 0.10 ± --- 2 PLACES ± 0.3 ± --- 0 PLACE ± ±	DIMENSION STYLE MM ONLY	SCALE 3:1	DESIGN UNITS METRIC	THIRD ANGLE PROJECTION
		DRAFT WHERE APPLICABLE MUST REMAIN WITHIN DIMENSIONS	DRAWN BY: DMARCOUX      DATE: 06-14-02 CHECKED BY: DGRIFFTH      DATE: 06-14-02 APPROVED BY: VKOSHY      DATE: 2010/11/04	MATERIAL NO. SEE BOM	DOCUMENT NO. SD-33481-061	SHEET NO. 1 OF 5
		THIS DRAWING CONTAINS INFORMATION THAT IS PROPRIETARY TO MOLEX INCORPORATED AND SHOULD NOT BE USED WITHOUT WRITTEN PERMISSION				
		SIZE D				

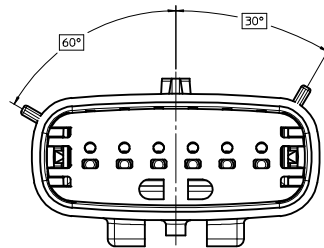
KEY CONFIGURATIONS



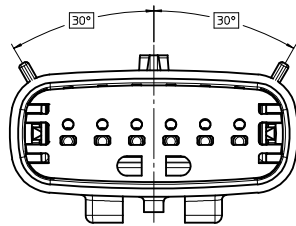
KEY A



KEY B



KEY C



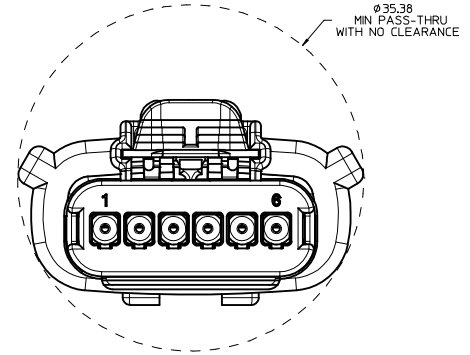
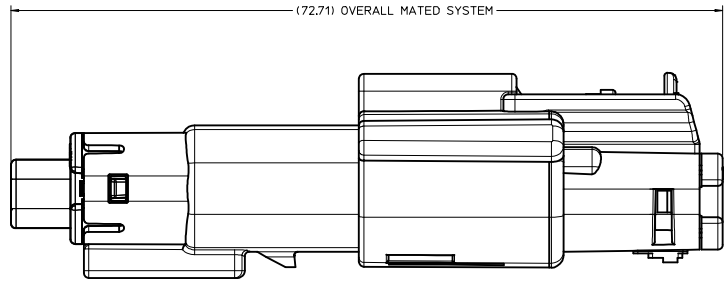
KEY D

<b>REVISED</b> IEC NO. UAU2013-1487 DRAWN: PROFFITT 2013/03/20 CHECKED: CHYKHOLOK 2013/03/21 APPR: VKOSHY 2013/03/26	QUALITY SYMBOLS	GENERAL TOLERANCES (UNLESS SPECIFIED)	DIMENSION STYLE	SCALE	DESIGN UNITS	THIRD ANGLE PROJECTION
	∇=0 ∇=0 ∇=0	4 PLACES ± mm 3 PLACES ± INCH 2 PLACES ± 0.10 1 PLACE ± 0.3 0 PLACE ±	MM ONLY	4:1	METRIC	DRAWN BY DATE DMARCOUX 06-14-02 CHECKED BY DATE DGRIFFTH 06-14-02 APPROVED BY DATE VKOSHY 2010/11/04
	ANGULAR ± 3 ° DRAFT WHERE APPLICABLE MUST REMAIN WITHIN DIMENSIONS	MATERIAL NO. SEE BOM	DOCUMENT NO. SD-33481-061	TITLE MX150 1X6 BLADE SEALED ASSEMBLY MAT SEAL <b>molex</b>	SHEET NO. 2 OF 5	
	SIZE D	THIS DRAWING CONTAINS INFORMATION THAT IS PROPRIETARY TO MOLEX INCORPORATED AND SHOULD NOT BE USED WITHOUT WRITTEN PERMISSION				



20 19 18 17 16 15 14 13 12 11 10 9 8 7 6 5 4 3 2 1

SYSTEM PACKAGING



<b>REVISED</b> IEC NO. UAU2013-1487 DRAWN: PROFFITT 2013/03/21 CHECKED: CHYKHOLICK 2013/03/21 APPR: VKOSHY 2013/03/26	QUALITY SYMBOLS	GENERAL TOLERANCES (UNLESS SPECIFIED)	DIMENSION STYLE	SCALE	DESIGN UNITS	THIRD ANGLE PROJECTION
	▽=0	4 PLACES ± mm ± INCH	MM ONLY	4:1	METRIC	☉
	▽=0	3 PLACES ± 0.10 ± 0.004 ± 0.0015	DRAWN BY DATE			
	▽=0	2 PLACES ± 0.3 ± 0.012 ± 0.0045	CHECKED BY DATE			
		1 PLACE ± 0.3 ± 0.012 ± 0.0045	APPROVED BY DATE			
		0 PLACE ± ±	VKOSHY 2010/11/04			
		ANGULAR ± 3 °	MATERIAL NO.			
		DRAFT WHERE APPLICABLE MUST REMAIN WITHIN DIMENSIONS	SEE BOM			
			SIZE D			
			THIS DRAWING CONTAINS INFORMATION THAT IS PROPRIETARY TO MOLEX INCORPORATED AND SHOULD NOT BE USED WITHOUT WRITTEN PERMISSION			

TITLE  
**MX150 1X6 BLADE SEALED ASSEMBLY MAT SEAL**  
**molex**  
 DOCUMENT NO.  
**SD-33481-061**  
 SHEET NO.  
**4 OF 5**

19 18 17 16 15 14 13 12 11 10 9 8 7 6 5 4 3 2 1



BOM SHEET 1

ASSEMBLY PART NUMBER	COLOR	KEYING OPTION	CAVITY TYPE & STATUS ( X = PLUGGED)						STATUS	COMMENTS
			1	2	3	4	5	6		
33481-0601	BLACK	A							SALEABLE	
33481-0602	LT.GRAY	B								
33481-0603	BROWN	C								NOT RECOMMENDED, SEE P/N 33481-0618
33481-0604	GREEN	D								NOT RECOMMENDED, SEE P/N 33481-0619
33481-0605	YELLOW	A							SALEABLE	
33481-0606	BLACK	A						X	SALEABLE	
33481-0607	LT.GRAY	B						X		
33481-0608	BROWN	C						X		
33481-0609	GREEN	D						X		
33481-0610	YELLOW	A						X	SALEABLE	
33481-0611	BLACK	A	X					X	SALEABLE	
33481-0612	LT.GRAY	B	X					X		
33481-0613	BROWN	C	X					X		
33481-0614	GREEN	D	X					X		
33481-0615	YELLOW	A	X					X	SALEABLE	
33481-0616	BLACK	A	X	X	X	X	X	X	SALEABLE	
33481-0617	BLACK	A						X	SALEABLE	
33481-0618	DK.GRAY	C								
33481-0619	ST.GRAY	D								

IR IR

IR IR

REVISED EEC NO: UAU2013-1487 2013/03/20 DRAWN: PROFFITT 2013/03/21 CHK: MOJIB 2013/03/21 APPR: VKOSHY 2013/03/26 DESCRIPTION	QUALITY SYMBOLS	GENERAL TOLERANCES (UNLESS SPECIFIED)	DIMENSION STYLE	SCALE	DESIGN UNITS	THIRD ANGLE PROJECTION
	▽=0	mm INCH	MM ONLY		METRIC	
	▽=0	4 PLACES ± --- + ---	DRAWN BY DATE	TITLE		
	▽=0	3 PLACES ± --- + ---	DMARCOUX 06-14-02	MX150 1X6 BLADE SEALED ASSEMBLY MAT SEAL		
	2 PLACES ± 0.10 + ---	CHECKED BY DATE	molex			
	1 PLACE ± 0.3 + ---	DGRIFFITH 06-14-02	SD-33481-061			
	0 PLACE ± +	APPROVED BY DATE	SHEET NO. 5 OF 5			
	ANGULAR ± 3 °	VKOSHY 2010/11/04	THIS DRAWING CONTAINS INFORMATION THAT IS PROPRIETARY TO MOLEX INCORPORATED AND SHOULD NOT BE USED WITHOUT WRITTEN PERMISSION			
	DRAFT WHERE APPLICABLE MUST REMAIN WITHIN DIMENSIONS	MATERIAL NO. SEE BOM				
		SIZE D				