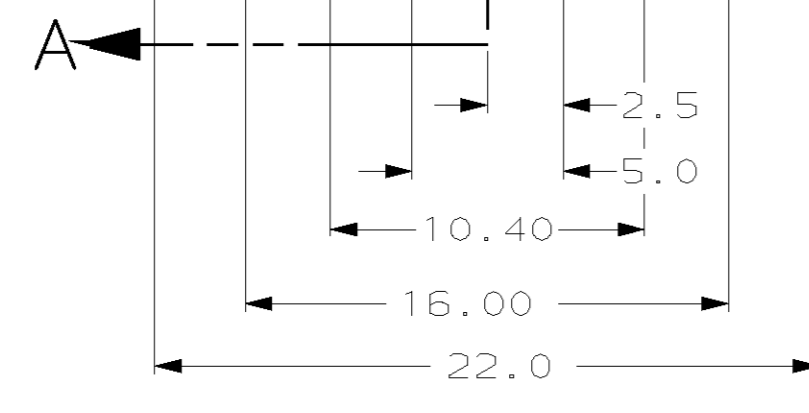
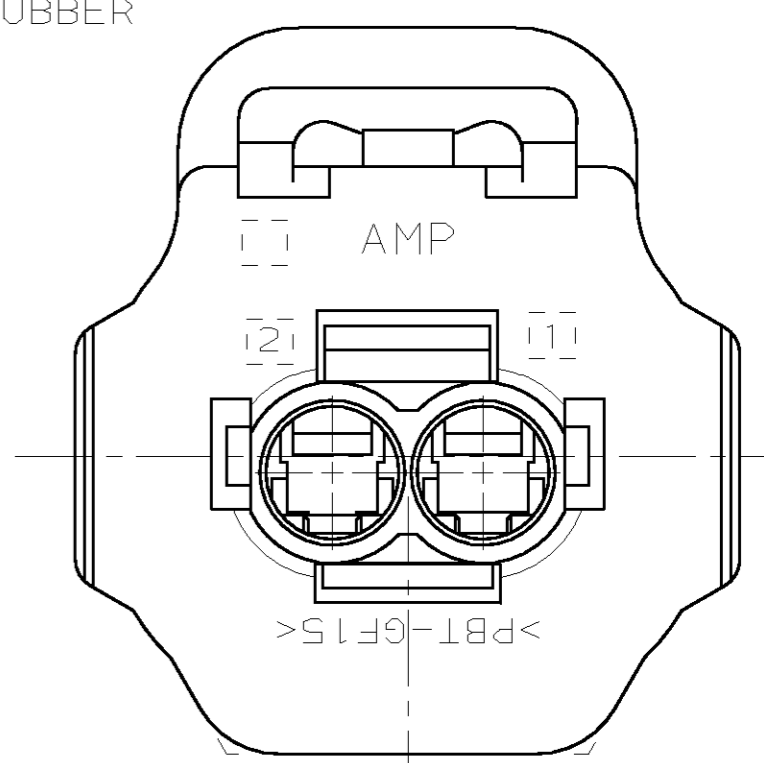
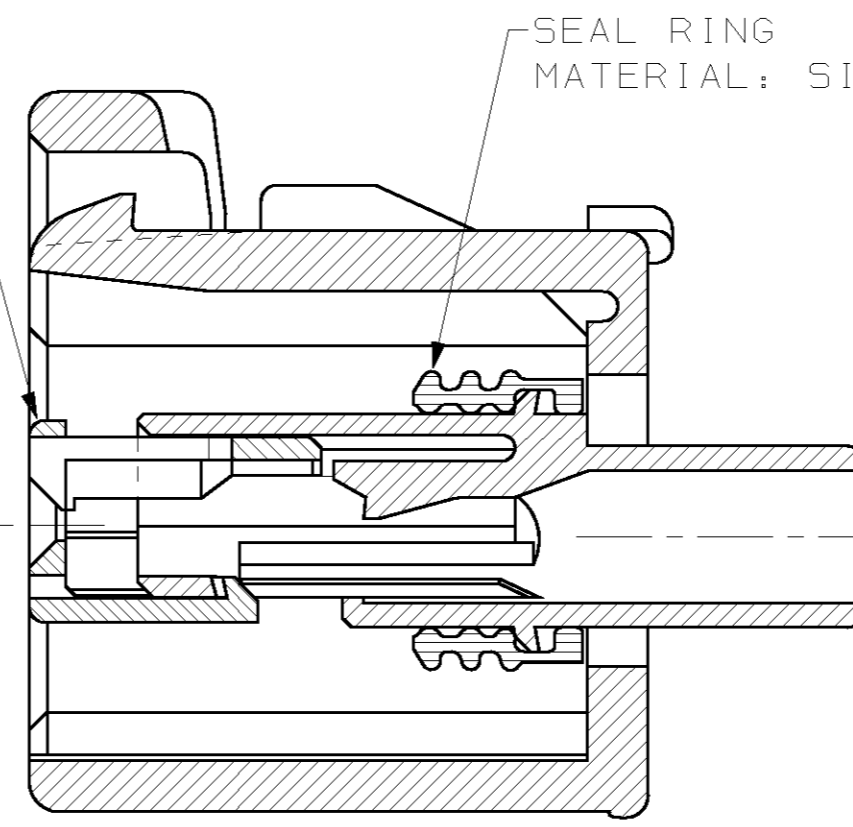
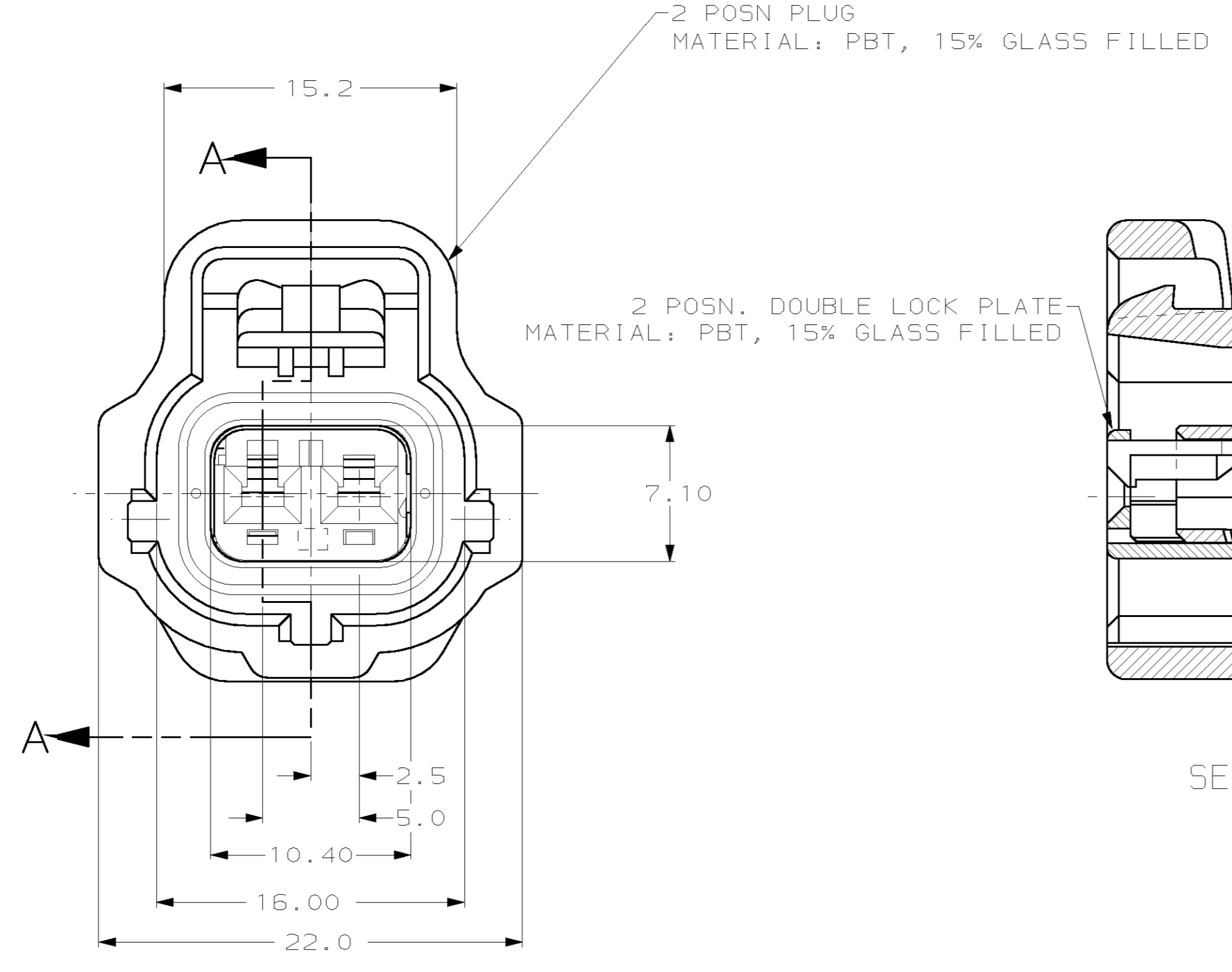
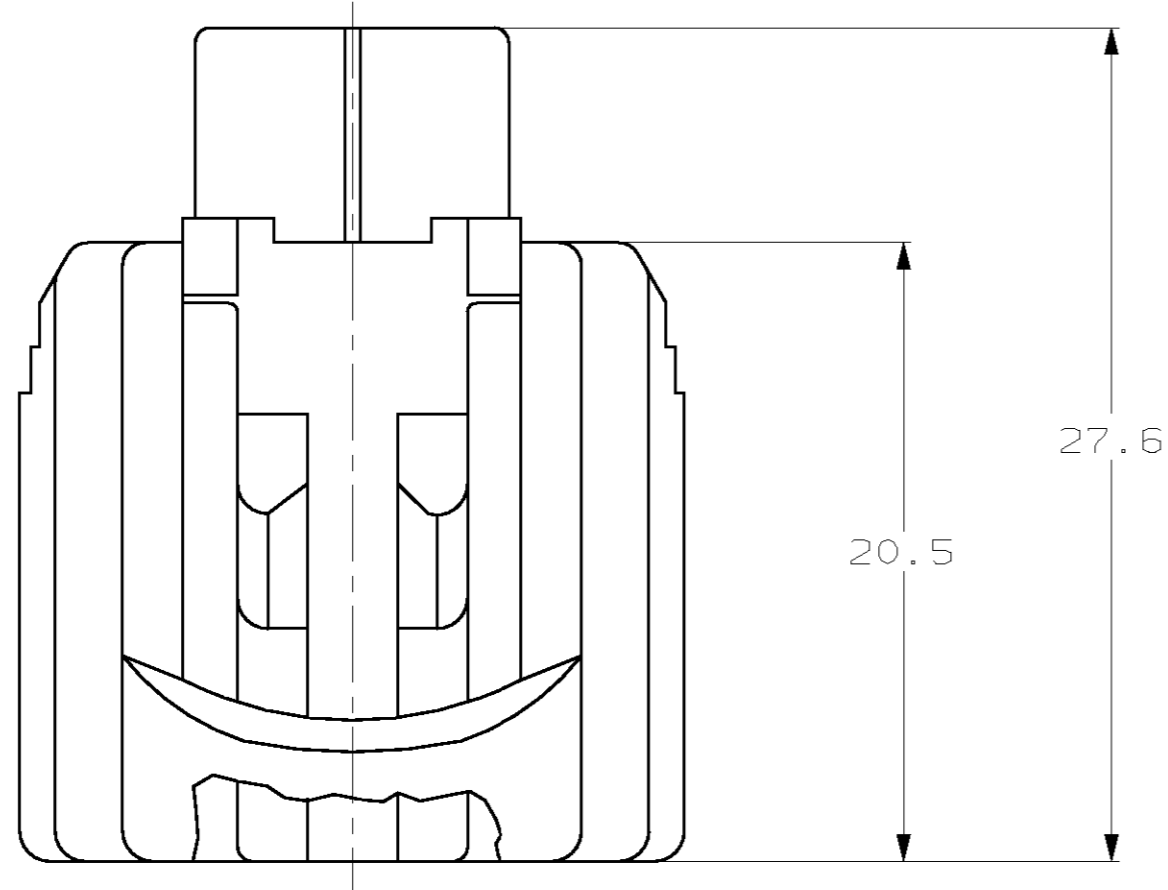


THIS DRAWING IS UNPUBLISHED. RELEASED FOR PUBLICATION .19
 © COPYRIGHT 19 BY AMP INCORPORATED. ALL RIGHTS RESERVED.

LOC		DIST		REVISIONS			
P	LTR	DESCRIPTION	DATE	DWN	APVD		
G	16	0	RELEASED, WAS 92-4072-2313-2	-	-	-	
		A	REV PER ECN 0720-0290-94	10/3/94	KL	JPK	
		B	REV PER ECN 0720-0446-94	12/16/94	KW	JK	
		C	REV PER ECN 0K50-0003-96	08/13/96	KW	JK	
		D	REV PER EC# 0K40-0140-00	6-28-00	PC	GI	



KEYING TYPE B

SECTION A-A

THIS DRAWING IS A CONTROLLED DOCUMENT FOR AMP INCORPORATED. IT IS SUBJECT TO CHANGE AND THE CONTROLLING ENGINEERING ORGANIZATION SHOULD BE CONTACTED FOR THE LATEST REVISION.		DWN	KD LYTLE	3/23/94
DIMENSIONS:		CHK	JP KUNKLE	4/19/94
mm	TOLERANCES UNLESS OTHERWISE SPECIFIED:	APVD	-	NAME
	0 PLC ±-	PRODUCT SPEC	-	
	1 PLC ±0.30	APPLICATION SPEC	-	
	2 PLC ±0.15	WEIGHT	-	
	3 PLC ±-	CUSTOMER DRAWING	-	
	4 PLC ±-	SCALE	4:1	SHEET
MATERIAL	FINISH	OF	1	REV
		D		

GRAY	184002-1
PLUG COLOR	PART NO
AMP	AMP Incorporated Harrisburg, PA 17105-3608
1 X 2 PLG ASY KEY B-C3	
SIZE	CAGE CODE
A2	00779
DRAWING NO	C-184002
SCALE	SHEET
4:1	1 OF
	REV
	D

184002