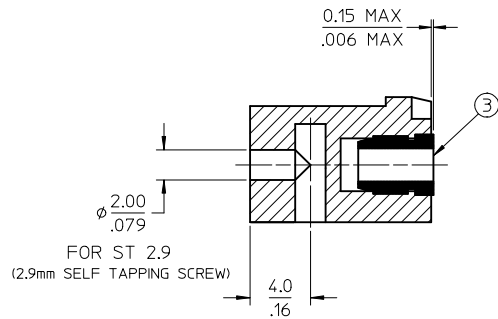
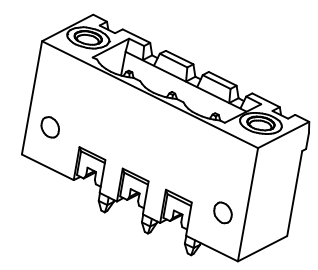
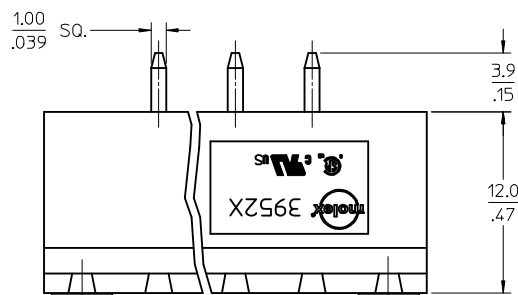
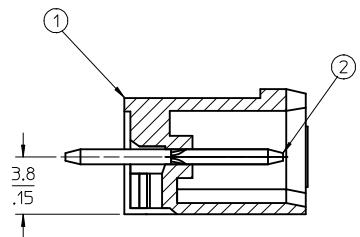


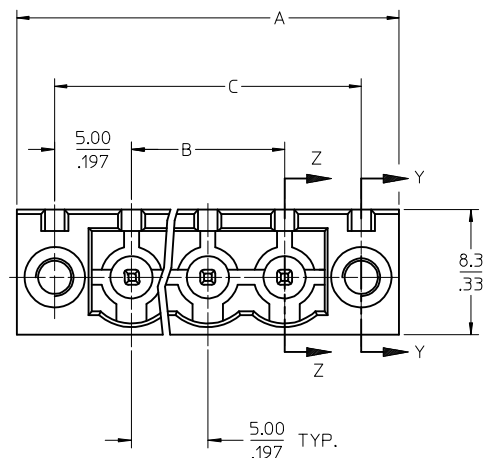
PCB LAYOUT



SECTION Y-Y



SECTION Z-Z



SPECIFICATIONS:

1. Material:
 - (1). Body: PA66
 - (2). Pin: Brass
 - (3). Threaded insert: Brass
2. Wire range: N/A
3. Electrical rating: 300V, 15A
4. Wire strip length: N/A
5. Operating temperature: -40C to +105C
6. Max torque: N/A
7. Insulation resistance: DC 500V, 500M
8. Dielectric withstand: AC 2500V for 1 minute
9. Breakdown voltage: 4000V.
10. A = (B + 15.0mm)
11. B = (N - 1) x P
13. C = (B + 10mm)
12. P (PITCH) = 5.0mm (.197")
13. N = Number of positions available 2 through 24
14. Dims shown are for reference only

| TOLERANCES | | | |
|------------|-------|-----------|-------|
| MM | TOL | INCH | TOL |
| 0-6 | +0.25 | 0-.24 | ±.010 |
| >6-30 | +0.40 | .24-1.18 | ±.016 |
| >30-120 | +0.50 | 1.18-4.76 | ±.020 |
| >120 | +0.80 | >4.76 | ±.031 |

| REVISED DOC TOL IEC NO: IPG2017-0881 DRWING:CRAD00RENS 2017/03/22 CHKD: BRUPERT APPR:BRUPERT 2017/04/18 | QUALITY SYMBOLS | GENERAL TOLERANCES (UNLESS SPECIFIED) | DIMENSION STYLE | SCALE | DESIGN UNITS | THIRD ANGLE PROJECTION | | | | | | | | | | | | | | | | | |
|---|--------------------------|---|------------------------------|---------------------|--------------|------------------------|-------------|-------|---|----------|-------|-------|----------|-------|-------|---------|-------|-------|---------|---|---|-------|-----|
| | $\nabla=0$ $\nabla=0$ | <table border="1"> <thead> <tr> <th></th> <th>mm</th> <th>INCH</th> </tr> </thead> <tbody> <tr> <td>4 PLACES</td> <td>± ---</td> <td>± ---</td> </tr> <tr> <td>3 PLACES</td> <td>± ---</td> <td>± ---</td> </tr> <tr> <td>2 PLACES</td> <td>± ---</td> <td>± ---</td> </tr> <tr> <td>1 PLACE</td> <td>± ---</td> <td>± ---</td> </tr> <tr> <td>0 PLACE</td> <td>±</td> <td>±</td> </tr> </tbody> </table> | | mm | INCH | | 4 PLACES | ± --- | ± --- | 3 PLACES | ± --- | ± --- | 2 PLACES | ± --- | ± --- | 1 PLACE | ± --- | ± --- | 0 PLACE | ± | ± | MM/IN | 4:1 |
| | | mm | INCH | | | | | | | | | | | | | | | | | | | | |
| | 4 PLACES | ± --- | ± --- | | | | | | | | | | | | | | | | | | | | |
| 3 PLACES | ± --- | ± --- | | | | | | | | | | | | | | | | | | | | | |
| 2 PLACES | ± --- | ± --- | | | | | | | | | | | | | | | | | | | | | |
| 1 PLACE | ± --- | ± --- | | | | | | | | | | | | | | | | | | | | | |
| 0 PLACE | ± | ± | | | | | | | | | | | | | | | | | | | | | |
| REV: B1 | DESCRIPTION | <table border="1"> <tr> <td>DRAWN BY</td> <td>DATE</td> </tr> <tr> <td>CHECKED BY</td> <td>DATE</td> </tr> <tr> <td>APPROVED BY</td> <td>DATE</td> </tr> </table> | DRAWN BY | DATE | CHECKED BY | DATE | APPROVED BY | DATE | TITLE 5.0MM, EURO HEADER, VERTICAL, MOUNTING | | | | | | | | | | | | | | |
| DRAWN BY | DATE | | | | | | | | | | | | | | | | | | | | | | |
| CHECKED BY | DATE | | | | | | | | | | | | | | | | | | | | | | |
| APPROVED BY | DATE | | | | | | | | | | | | | | | | | | | | | | |
| | | MATERIAL NO. SEE SHEET 2 | DOCUMENT NO. SD-39525-002 | SHEET NO. 1 OF 2 | | | | | | | | | | | | | | | | | | | |

THIS DRAWING CONTAINS INFORMATION THAT IS PROPRIETARY TO MOLEX. INCORPORATED AND SHOULD NOT BE USED WITHOUT WRITTEN PERMISSION

| Description | Circuit size | Material Numbers | | | | | | | | | | | Dimensional Information | | | | | | | | |
|---|--------------|------------------|-----------|-----------|------------------|-----------|-----------|------------------|-----------|-----------|------------------|-----------|-------------------------|-----------|-----------|--------|--------|--------|-------|--------|-------|
| | | Black | | | | | | Green | | | | | Dim. A | | Dim. D | | Dim. C | | | | |
| | | 100% Tin | | | 30 u" Cold | | | 100% Tin | | | 30 u" Cold | | mm | inch | mm | inch | mm | inch | | | |
| | | Printing Options | | | Printing Options | | | Printing Options | | | Printing Options | | | | | | | | | | |
| None | 10AV | 11AV | None | 10AV | 11AV | None | 10AV | 11AV | None | 10AV | 11AV | None | 10AV | 11AV | | | | | | | |
| 5.0mm, Euro Header, Vertical, Mounting Ends | 2 | 395250002 | 395250302 | 395250402 | 395250502 | 395250602 | 395250702 | 395250802 | 395250902 | 395251002 | 395251102 | 395251202 | 395251302 | 395251402 | 395251502 | 20.00 | 0.787 | 5.00 | 0.197 | 15.00 | 0.591 |
| 5.0mm, Euro Header, Vertical, Mounting Ends | 3 | 395250003 | 395250303 | 395250403 | 395250503 | 395250603 | 395250703 | 395250803 | 395250903 | 395251003 | 395251103 | 395251203 | 395251303 | 395251403 | 395251503 | 25.00 | 0.984 | 10.00 | 0.394 | 20.00 | 0.787 |
| 5.0mm, Euro Header, Vertical, Mounting Ends | 4 | 395250004 | 395250304 | 395250404 | 395250504 | 395250604 | 395250704 | 395250804 | 395250904 | 395251004 | 395251104 | 395251204 | 395251304 | 395251404 | 395251504 | 30.00 | 1.181 | 15.00 | 0.591 | 25.00 | 0.984 |
| 5.0mm, Euro Header, Vertical, Mounting Ends | 5 | 395250005 | 395250305 | 395250405 | 395250505 | 395250605 | 395250705 | 395250805 | 395250905 | 395251005 | 395251105 | 395251205 | 395251305 | 395251405 | 395251505 | 35.00 | 1.378 | 20.00 | 0.787 | 30.00 | 1.181 |
| 5.0mm, Euro Header, Vertical, Mounting Ends | 6 | 395250006 | 395250306 | 395250406 | 395250506 | 395250606 | 395250706 | 395250806 | 395250906 | 395251006 | 395251106 | 395251206 | 395251306 | 395251406 | 395251506 | 40.00 | 1.575 | 25.00 | 0.984 | 35.00 | 1.378 |
| 5.0mm, Euro Header, Vertical, Mounting Ends | 7 | 395250007 | 395250307 | 395250407 | 395250507 | 395250607 | 395250707 | 395250807 | 395250907 | 395251007 | 395251107 | 395251207 | 395251307 | 395251407 | 395251507 | 45.00 | 1.772 | 30.00 | 1.181 | 40.00 | 1.575 |
| 5.0mm, Euro Header, Vertical, Mounting Ends | 8 | 395250008 | 395250308 | 395250408 | 395250508 | 395250608 | 395250708 | 395250808 | 395250908 | 395251008 | 395251108 | 395251208 | 395251308 | 395251408 | 395251508 | 50.00 | 1.969 | 35.00 | 1.378 | 45.00 | 1.772 |
| 5.0mm, Euro Header, Vertical, Mounting Ends | 9 | 395250009 | 395250309 | 395250409 | 395250509 | 395250609 | 395250709 | 395250809 | 395250909 | 395251009 | 395251109 | 395251209 | 395251309 | 395251409 | 395251509 | 55.00 | 2.166 | 40.00 | 1.575 | 50.00 | 1.969 |
| 5.0mm, Euro Header, Vertical, Mounting Ends | 10 | 395250010 | 395250310 | 395250410 | 395250510 | 395250610 | 395250710 | 395250810 | 395250910 | 395251010 | 395251110 | 395251210 | 395251310 | 395251410 | 395251510 | 60.00 | 2.362 | 45.00 | 1.772 | 55.00 | 2.166 |
| 5.0mm, Euro Header, Vertical, Mounting Ends | 11 | 395250011 | 395250311 | 395250411 | 395250511 | 395250611 | 395250711 | 395250811 | 395250911 | 395251011 | 395251111 | 395251211 | 395251311 | 395251411 | 395251511 | 65.00 | 2.559 | 50.00 | 1.969 | 60.00 | 2.362 |
| 5.0mm, Euro Header, Vertical, Mounting Ends | 12 | 395250012 | 395250312 | 395250412 | 395250512 | 395250612 | 395250712 | 395250812 | 395250912 | 395251012 | 395251112 | 395251212 | 395251312 | 395251412 | 395251512 | 70.00 | 2.756 | 55.00 | 2.166 | 65.00 | 2.559 |
| 5.0mm, Euro Header, Vertical, Mounting Ends | 13 | 395250013 | 395250313 | 395250413 | 395250513 | 395250613 | 395250713 | 395250813 | 395250913 | 395251013 | 395251113 | 395251213 | 395251313 | 395251413 | 395251513 | 75.00 | 2.953 | 60.00 | 2.362 | 70.00 | 2.756 |
| 5.0mm, Euro Header, Vertical, Mounting Ends | 14 | 395250014 | 395250314 | 395250414 | 395250514 | 395250614 | 395250714 | 395250814 | 395250914 | 395251014 | 395251114 | 395251214 | 395251314 | 395251414 | 395251514 | 80.00 | 3.150 | 65.00 | 2.559 | 75.00 | 2.953 |
| 5.0mm, Euro Header, Vertical, Mounting Ends | 15 | 395250015 | 395250315 | 395250415 | 395250515 | 395250615 | 395250715 | 395250815 | 395250915 | 395251015 | 395251115 | 395251215 | 395251315 | 395251415 | 395251515 | 85.00 | 3.346 | 70.00 | 2.756 | 80.00 | 3.150 |
| 5.0mm, Euro Header, Vertical, Mounting Ends | 16 | 395250016 | 395250316 | 395250416 | 395250516 | 395250616 | 395250716 | 395250816 | 395250916 | 395251016 | 395251116 | 395251216 | 395251316 | 395251416 | 395251516 | 90.00 | 3.543 | 75.00 | 2.953 | 85.00 | 3.346 |
| 5.0mm, Euro Header, Vertical, Mounting Ends | 17 | 395250017 | 395250317 | 395250417 | 395250517 | 395250617 | 395250717 | 395250817 | 395250917 | 395251017 | 395251117 | 395251217 | 395251317 | 395251417 | 395251517 | 95.00 | 3.740 | 80.00 | 3.150 | 90.00 | 3.543 |
| 5.0mm, Euro Header, Vertical, Mounting Ends | 18 | 395250018 | 395250318 | 395250418 | 395250518 | 395250618 | 395250718 | 395250818 | 395250918 | 395251018 | 395251118 | 395251218 | 395251318 | 395251418 | 395251518 | 100.00 | 3.937 | 85.00 | 3.346 | 95.00 | 3.740 |
| 5.0mm, Euro Header, Vertical, Mounting Ends | 19 | 395250019 | 395250319 | 395250419 | 395250519 | 395250619 | 395250719 | 395250819 | 395250919 | 395251019 | 395251119 | 395251219 | 395251319 | 395251419 | 395251519 | 105.00 | 4.134 | 90.00 | 3.543 | 100.00 | 3.937 |
| 5.0mm, Euro Header, Vertical, Mounting Ends | 20 | 395250020 | 395250320 | 395250420 | 395250520 | 395250620 | 395250720 | 395250820 | 395250920 | 395251020 | 395251120 | 395251220 | 395251320 | 395251420 | 395251520 | 110.00 | 4.331 | 95.00 | 3.740 | 105.00 | 4.134 |
| 5.0mm, Euro Header, Vertical, Mounting Ends | 21 | 395250021 | 395250321 | 395250421 | 395250521 | 395250621 | 395250721 | 395250821 | 395250921 | 395251021 | 395251121 | 395251221 | 395251321 | 395251421 | 395251521 | 115.00 | 4.528 | 100.00 | 3.937 | 110.00 | 4.331 |
| 5.0mm, Euro Header, Vertical, Mounting Ends | 22 | 395250022 | 395250322 | 395250422 | 395250522 | 395250622 | 395250722 | 395250822 | 395250922 | 395251022 | 395251122 | 395251222 | 395251322 | 395251422 | 395251522 | 120.00 | 4.724 | 105.00 | 4.134 | 115.00 | 4.528 |
| 5.0mm, Euro Header, Vertical, Mounting Ends | 23 | 395250023 | 395250323 | 395250423 | 395250523 | 395250623 | 395250723 | 395250823 | 395250923 | 395251023 | 395251123 | 395251223 | 395251323 | 395251423 | 395251523 | 125.00 | 4.921 | 110.00 | 4.331 | 120.00 | 4.724 |
| 5.0mm, Euro Header, Vertical, Mounting Ends | 24 | 395250024 | 395250324 | 395250424 | 395250524 | 395250624 | 395250724 | 395250824 | 395250924 | 395251024 | 395251124 | 395251224 | 395251324 | 395251424 | 395251524 | 130.00 | 5.118 | 115.00 | 4.528 | 125.00 | 4.921 |

| TOLERANCES | | | |
|------------|-------|-----------|-------|
| MM | TOL | INCH | TOL |
| 0-6 | ±0.25 | 0-.24 | ±.010 |
| >6-30 | ±0.40 | .24-1.18 | ±.016 |
| >30-120 | ±0.50 | 1.18-4.76 | ±.020 |
| >120 | ±0.80 | >4.76 | ±.031 |

REVISED DOC TOL
 EC NO: IFC2017-0861
 DRAWN: CRADDREWS 2017/03/22
 CHKD:
 APPR: BRUPERT 2017/04/18

QUALITY SYMBOLS
 ▽=0
 ▽=0

GENERAL TOLERANCES (UNLESS SPECIFIED)

| | mm | INCH |
|----------|-------|-------|
| 4 PLACES | ± --- | ± --- |
| 3 PLACES | ± --- | ± --- |
| 2 PLACES | ± --- | ± --- |
| 1 PLACE | ± --- | ± --- |
| 0 PLACE | ± | ± |

ANGULAR ± --- °
 DRAFT WHERE APPLICABLE
 MUST REMAIN WITHIN DIMENSIONS

DIMENSION STYLE
MM/IN

DRAWN BY DATE
 LROTHAUS 12/6/05

CHECKED BY DATE
 C. YORK 01/06/06

APPROVED BY DATE

SCALE
1:1

DESIGN UNITS
INCH

THIRD ANGLE PROJECTION

5.0MM, EURO HEADER, VERTICAL, MOUNTING

molex

MATERIAL NO. **SEE CHART**

DOCUMENT NO. **SD-39525-002**

SHEET NO. **2 OF 2**

THIS DRAWING CONTAINS INFORMATION THAT IS PROPRIETARY TO MOLEX INCORPORATED AND SHOULD NOT BE USED WITHOUT WRITTEN PERMISSION

| Description | Circuit Size | Material Numbers | | | | | | | | | | Dimensional Information | | | | | | | |
|---|--------------|------------------|-----------|-----------|------------------|-----------|------------------|-----------|-----------|------------------|-----------|-------------------------|-----------|--------|-------|--------|-------|--------|-------|
| | | Black | | | | | Green | | | | | Dim. A | | Dim. U | | Dim. C | | | |
| | | 100% Tin | | | 30 u" Gold | | 100% Tin | | | 30 u" Gold | | mm | inch | mm | inch | mm | inch | | |
| | | Printing Options | | | Printing Options | | Printing Options | | | Printing Options | | | | | | | | | |
| None | 10/V | 11/V | None | 10/V | 11/V | None | 10/V | 11/V | None | 10/V | 11/V | | | | | | | | |
| 5.0mm, Euro Header, Vertical, Mounting Ends | 2 | 395250002 | 395250302 | 395250402 | 395250502 | 395250802 | 395250902 | 395255002 | 395255302 | 395255402 | 395255502 | 395255802 | 395255902 | 20.00 | 0.787 | 5.00 | 0.197 | 15.00 | 0.591 |
| 5.0mm, Euro Header, Vertical, Mounting Ends | 3 | 395250003 | 395250303 | 395250403 | 395250503 | 395250803 | 395250903 | 395255003 | 395255303 | 395255403 | 395255503 | 395255803 | 395255903 | 25.00 | 0.984 | 10.00 | 0.394 | 20.00 | 0.787 |
| 5.0mm, Euro Header, Vertical, Mounting Ends | 4 | 395250004 | 395250304 | 395250404 | 395250504 | 395250804 | 395250904 | 395255004 | 395255304 | 395255404 | 395255504 | 395255804 | 395255904 | 30.00 | 1.181 | 15.00 | 0.591 | 25.00 | 0.984 |
| 5.0mm, Euro Header, Vertical, Mounting Ends | 5 | 395250005 | 395250305 | 395250405 | 395250505 | 395250805 | 395250905 | 395255005 | 395255305 | 395255405 | 395255505 | 395255805 | 395255905 | 35.00 | 1.378 | 20.00 | 0.787 | 30.00 | 1.181 |
| 5.0mm, Euro Header, Vertical, Mounting Ends | 6 | 395250006 | 395250306 | 395250406 | 395250506 | 395250806 | 395250906 | 395255006 | 395255306 | 395255406 | 395255506 | 395255806 | 395255906 | 40.00 | 1.575 | 25.00 | 0.984 | 35.00 | 1.378 |
| 5.0mm, Euro Header, Vertical, Mounting Ends | 7 | 395250007 | 395250307 | 395250407 | 395250507 | 395250807 | 395250907 | 395255007 | 395255307 | 395255407 | 395255507 | 395255807 | 395255907 | 45.00 | 1.772 | 30.00 | 1.181 | 40.00 | 1.378 |
| 5.0mm, Euro Header, Vertical, Mounting Ends | 9 | 395250009 | 395250309 | 395250409 | 395250509 | 395250809 | 395250909 | 395255009 | 395255309 | 395255409 | 395255509 | 395255809 | 395255909 | 50.00 | 1.969 | 35.00 | 1.378 | 45.00 | 1.772 |
| 5.0mm, Euro Header, Vertical, Mounting Ends | 10 | 395250010 | 395250310 | 395250410 | 395250510 | 395250810 | 395250910 | 395255010 | 395255310 | 395255410 | 395255510 | 395255810 | 395255910 | 60.00 | 2.362 | 45.00 | 1.772 | 55.00 | 1.969 |
| 5.0mm, Euro Header, Vertical, Mounting Ends | 11 | 395250011 | 395250311 | 395250411 | 395250511 | 395250811 | 395250911 | 395255011 | 395255311 | 395255411 | 395255511 | 395255811 | 395255911 | 65.00 | 2.559 | 50.00 | 1.969 | 60.00 | 2.362 |
| 5.0mm, Euro Header, Vertical, Mounting Ends | 12 | 395250012 | 395250312 | 395250412 | 395250512 | 395250812 | 395250912 | 395255012 | 395255312 | 395255412 | 395255512 | 395255812 | 395255912 | 70.00 | 2.756 | 55.00 | 2.165 | 65.00 | 2.559 |
| 5.0mm, Euro Header, Vertical, Mounting Ends | 13 | 395250013 | 395250313 | 395250413 | 395250513 | 395250813 | 395250913 | 395255013 | 395255313 | 395255413 | 395255513 | 395255813 | 395255913 | 75.00 | 2.953 | 60.00 | 2.362 | 70.00 | 2.756 |
| 5.0mm, Euro Header, Vertical, Mounting Ends | 14 | 395250014 | 395250314 | 395250414 | 395250514 | 395250814 | 395250914 | 395255014 | 395255314 | 395255414 | 395255514 | 395255814 | 395255914 | 80.00 | 3.150 | 65.00 | 2.559 | 75.00 | 2.953 |
| 5.0mm, Euro Header, Vertical, Mounting Ends | 15 | 395250015 | 395250315 | 395250415 | 395250515 | 395250815 | 395250915 | 395255015 | 395255315 | 395255415 | 395255515 | 395255815 | 395255915 | 85.00 | 3.346 | 70.00 | 2.756 | 80.00 | 3.150 |
| 5.0mm, Euro Header, Vertical, Mounting Ends | 16 | 395250016 | 395250316 | 395250416 | 395250516 | 395250816 | 395250916 | 395255016 | 395255316 | 395255416 | 395255516 | 395255816 | 395255916 | 90.00 | 3.543 | 75.00 | 2.953 | 85.00 | 3.346 |
| 5.0mm, Euro Header, Vertical, Mounting Ends | 17 | 395250017 | 395250317 | 395250417 | 395250517 | 395250817 | 395250917 | 395255017 | 395255317 | 395255417 | 395255517 | 395255817 | 395255917 | 95.00 | 3.740 | 80.00 | 3.150 | 90.00 | 3.543 |
| 5.0mm, Euro Header, Vertical, Mounting Ends | 18 | 395250018 | 395250318 | 395250418 | 395250518 | 395250818 | 395250918 | 395255018 | 395255318 | 395255418 | 395255518 | 395255818 | 395255918 | 100.00 | 3.937 | 85.00 | 3.346 | 95.00 | 3.740 |
| 5.0mm, Euro Header, Vertical, Mounting Ends | 19 | 395250019 | 395250319 | 395250419 | 395250519 | 395250819 | 395250919 | 395255019 | 395255319 | 395255419 | 395255519 | 395255819 | 395255919 | 105.00 | 4.134 | 90.00 | 3.543 | 100.00 | 3.937 |
| 5.0mm, Euro Header, Vertical, Mounting Ends | 20 | 395250020 | 395250320 | 395250420 | 395250520 | 395250820 | 395250920 | 395255020 | 395255320 | 395255420 | 395255520 | 395255820 | 395255920 | 110.00 | 4.331 | 95.00 | 3.740 | 105.00 | 4.134 |
| 5.0mm, Euro Header, Vertical, Mounting Ends | 21 | 395250021 | 395250321 | 395250421 | 395250521 | 395250821 | 395250921 | 395255021 | 395255321 | 395255421 | 395255521 | 395255821 | 395255921 | 115.00 | 4.528 | 100.00 | 3.937 | 110.00 | 4.331 |
| 5.0mm, Euro Header, Vertical, Mounting Ends | 22 | 395250022 | 395250322 | 395250422 | 395250522 | 395250822 | 395250922 | 395255022 | 395255322 | 395255422 | 395255522 | 395255822 | 395255922 | 120.00 | 4.724 | 105.00 | 4.134 | 115.00 | 4.528 |
| 5.0mm, Euro Header, Vertical, Mounting Ends | 23 | 395250023 | 395250323 | 395250423 | 395250523 | 395250823 | 395250923 | 395255023 | 395255323 | 395255423 | 395255523 | 395255823 | 395255923 | 125.00 | 4.921 | 110.00 | 4.331 | 120.00 | 4.724 |
| 5.0mm, Euro Header, Vertical, Mounting Ends | 24 | 395250024 | 395250324 | 395250424 | 395250524 | 395250824 | 395250924 | 395255024 | 395255324 | 395255424 | 395255524 | 395255824 | 395255924 | 130.00 | 5.118 | 115.00 | 4.528 | 125.00 | 4.921 |

| TOLERANCES | | | |
|------------|-------|-----------|-------|
| MM | TOL | INCH | TOL |
| 0-6 | ±0.25 | 0-.24 | ±.010 |
| >6-30 | ±0.40 | .24-1.18 | ±.016 |
| >30-120 | ±0.50 | 1.18-4.76 | ±.020 |
| >120 | ±0.80 | >4.76 | ±.031 |

REVISED DOC TOL
 EC NO: IFC2017-0861
 DRAWN: CRADDOREWS 2017/03/22
 CHKD:
 APPR: BRUPERT 2017/04/18

QUALITY SYMBOLS
 ▽=0
 ▽=0

GENERAL TOLERANCES (UNLESS SPECIFIED)

| | mm | INCH |
|----------|-------|-------|
| 4 PLACES | ± --- | ± --- |
| 3 PLACES | ± --- | ± --- |
| 2 PLACES | ± --- | ± --- |
| 1 PLACE | ± --- | ± --- |

ANGULAR ± ---°

DRAFT WHERE APPLICABLE
 MUST REMAIN WITHIN DIMENSIONS

DIMENSION STYLE
MM/IN

DRAWN BY DATE
 LROTHAUS 12/6/05

CHECKED BY DATE
 C. YORK 01/04/06

APPROVED BY DATE

MATERIAL NO.
SEE CHART

SIZE
B

SCALE
INCH

DESIGN UNITS
INCH

THIRD ANGLE PROJECTION

5.0MM, EURO HEADER, VERTICAL, MOUNTING

MOLEX MOLEX INCORPORATED

DOCUMENT NO.
SD-39525-002

SHEET NO.
2 OF 2

THIS DRAWING CONTAINS INFORMATION THAT IS PROPRIETARY TO MOLEX INCORPORATED AND SHOULD NOT BE USED WITHOUT WRITTEN PERMISSION