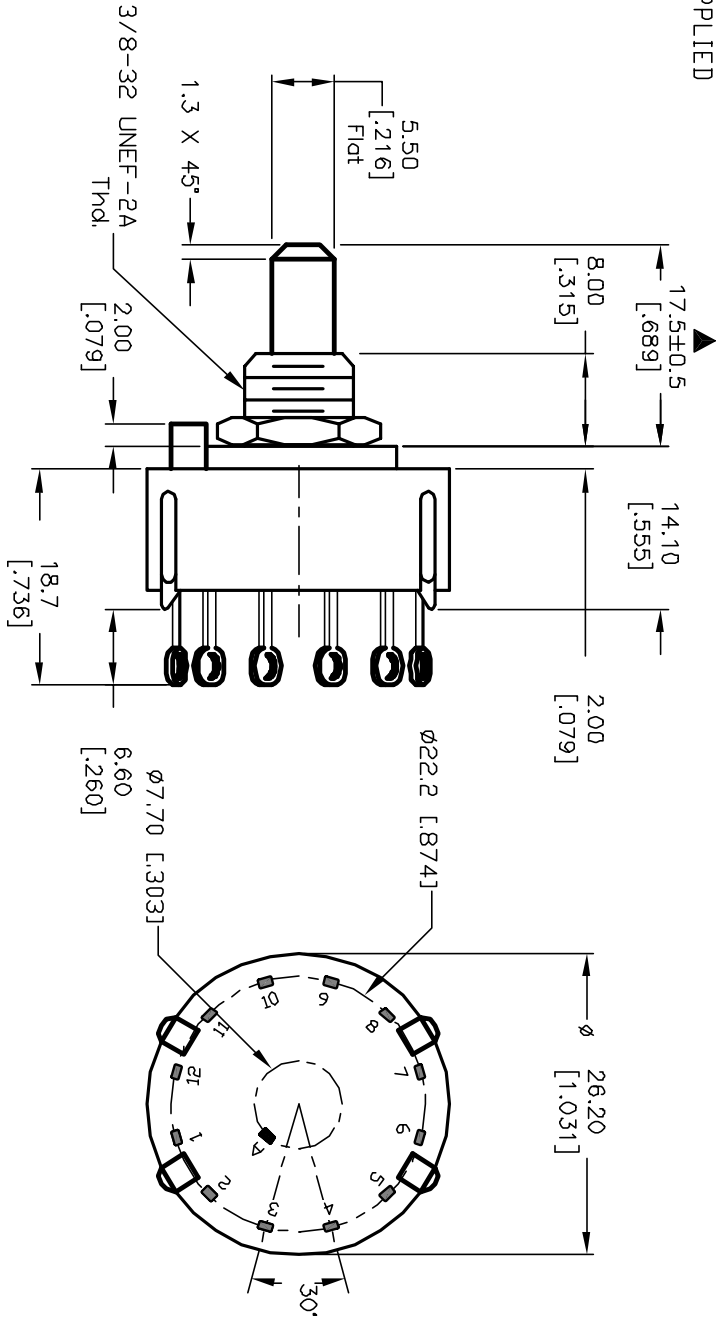
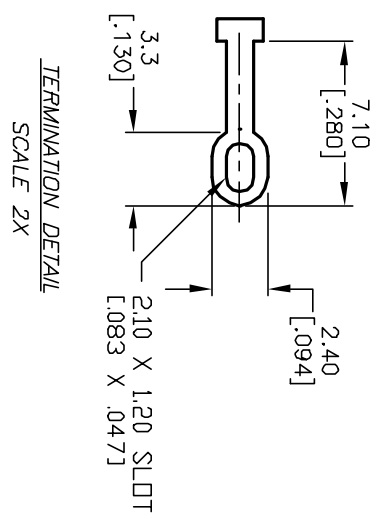
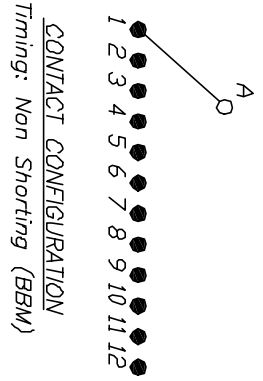
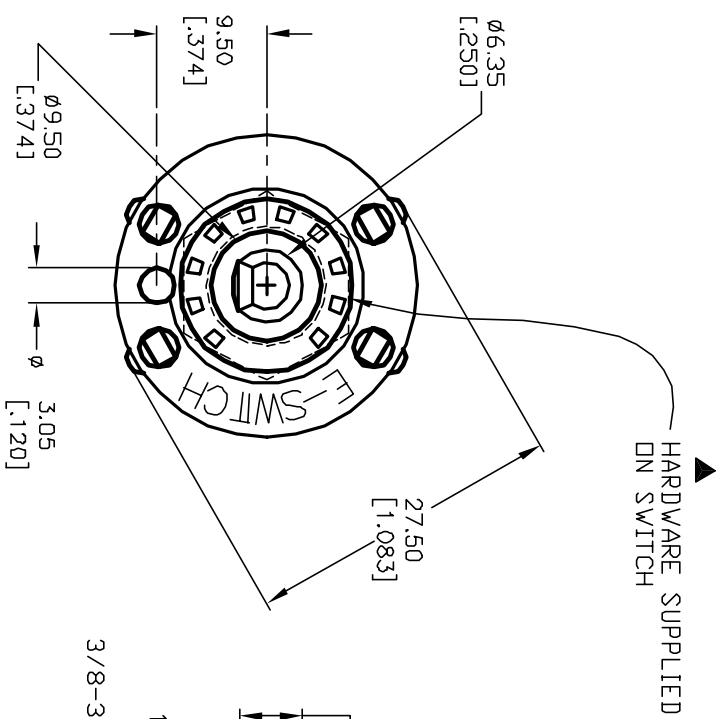


- NOTES:
1. ALL DIMENSION IN MM [INCH]
  2. GENERAL TOLERANCE: X.X=±0.4  
X.XX=±0.25
  3. TERM. NOS. FOR REF. ONLY
  4. CONTACT RATING SWITCHING: 150mA, 250V AC/DC  
350mA, 110V AC/DC
  5. CONTACT MATERIAL: GOLD FLASH over Silver Plate  
OVER COPPER ALLOY
  6. OPERATING FORCE: 425±100 CM/STANDARD
  7. OPERATING TEMP: -30° to 85°C
  8. CIRCUIT DP: 12 POSITIONS, 30° INDEX.
  9. DIELECTRIC STRENGTH: 1000V RMS min.@Sea Level
  10. DESIGNATE MAJOR DIMENSIONS
  11. HARDWARE SUPPLIED ON SWITCH - SEE BELOW  
STOPRING, LOCKWASHER, & HEXNUT



C	12831	REVISED NOTE 11	3/3/03	CJB	TITLE			SCALE	DATE	DR	DWG	REV
B	12238	REV PART DESC. PER CATALDG	6/13/02	CJB	KC-52-A (9.5mm)-01-N-L-F			1.5:1	4/16/02	CJB	G510241	C
A	12072	RELEASED FOR PRODUCTION	4/16/02	CJB								
REV.	ECN No.	DESCRIPTION	DATE	CHKD								

THE INFORMATION CONTAINED IN THIS DOCUMENT IS PROPRIETARY TO E-SWITCH AND IS NOT TO BE COPIED OR TRANSFERRED

**E-SWITCH®**