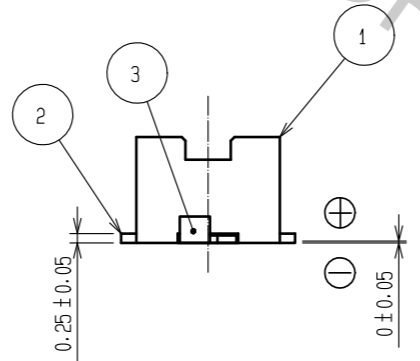
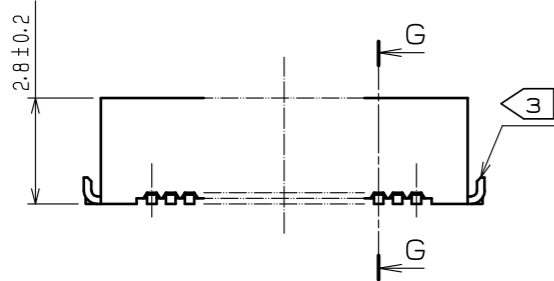
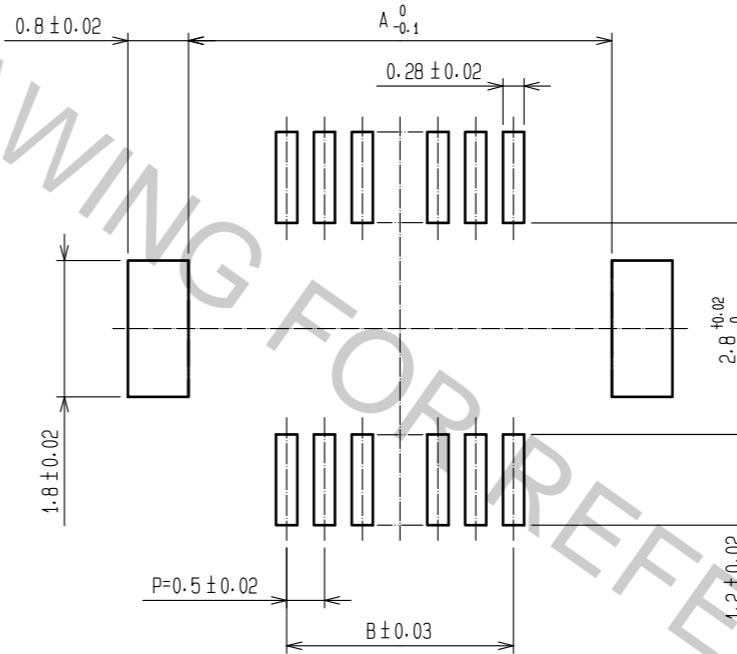


CODE No.	CONTACT	A	B	C	D	E	F
CL537-0328-0-86	20	7.2	4.5	5.3	5.7	5.3	8.1
CL537-0330-2-86	30	9.7	7.0	7.8	8.2	7.8	10.6
CL537-0331-5-86	36	11.2	8.5	9.3	9.7	9.3	12.1
CL537-0332-8-86	40	12.2	9.5	10.3	10.7	10.3	13.1
CL537-0334-3-86	50	14.7	12.0	12.8	13.2	12.8	15.6
CL537-0336-9-86	60	17.2	14.5	15.3	15.7	15.3	18.1

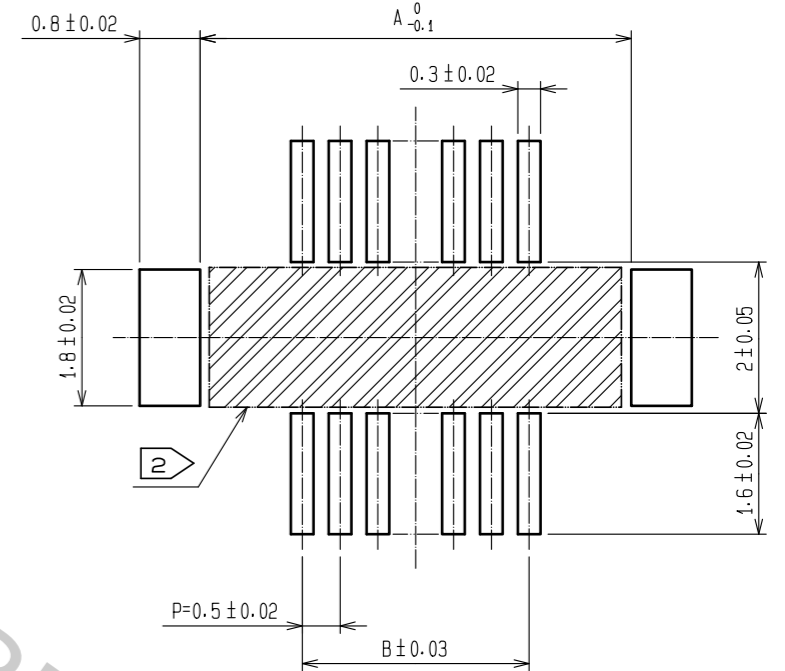


RECOMMENDED METAL MASK (10:1)

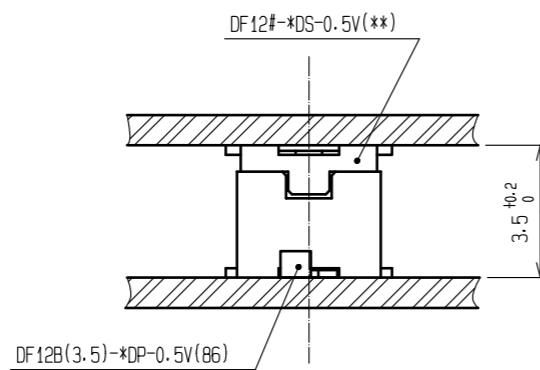
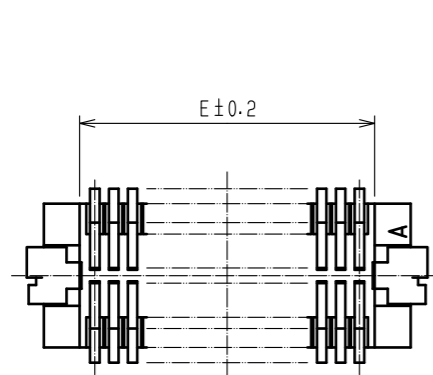


RECOMMENDED THICKNESS OF METAL MASK : 120 μm

RECOMMENDED PATTERN (10:1)



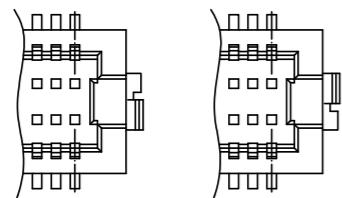
RECOMMENDED THICKNESS OF SOLDER PASTE : 120 μm



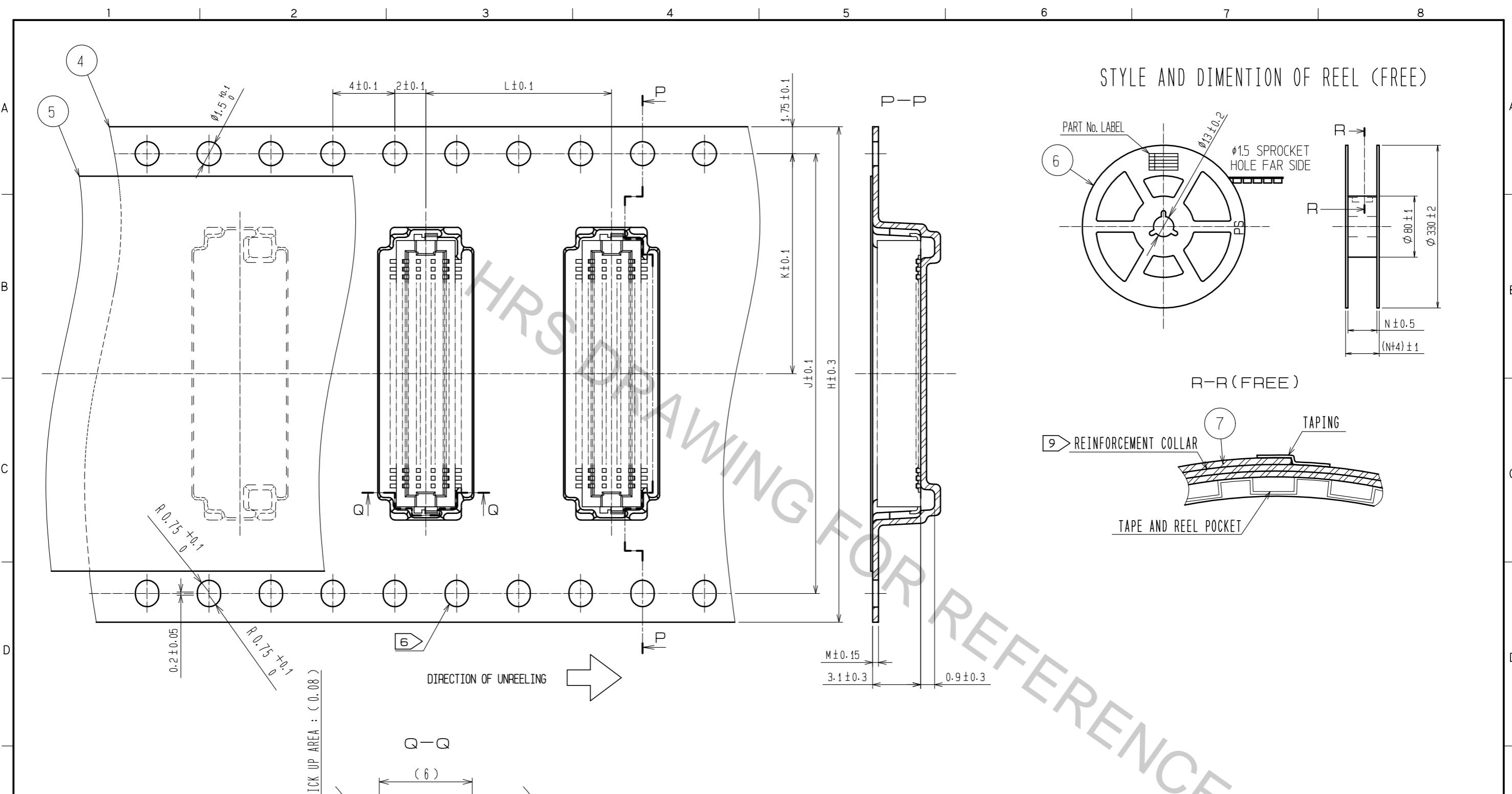
NOTES 1 : LEAD CO-PLANARITY INCLUDING REINFORCED METAL FITTINGS SHALL BE 0.08 mm MAX.

2 : IF THERE IS PATTERN ON PART, THERE IS A POSSIBILITY THAT IT WILL MAKE CONTACT WITH THE LEADS.

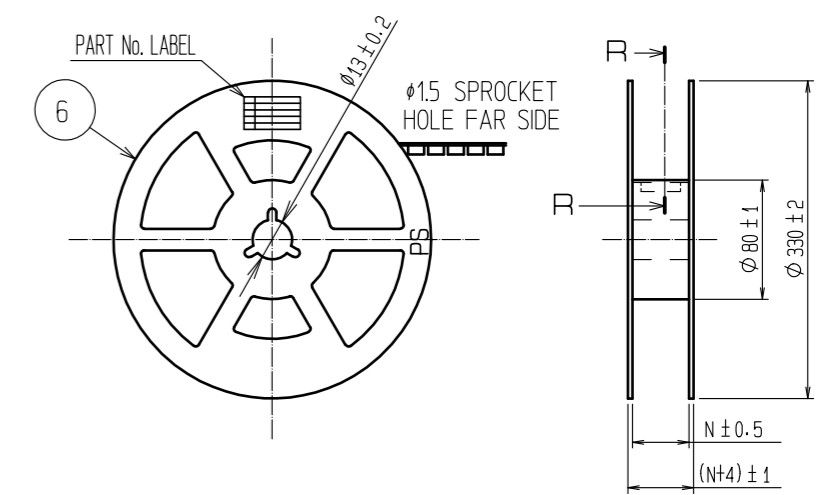
3 : REINFORCED METAL FITTINGS AS FOLLOWS.



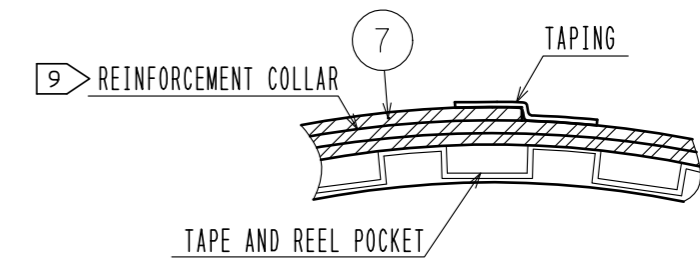
2	PHOSPHOR BRONZE	CONTACT AREA:GOLD PLATED 0.2μm min LEAD AREA:GOLD PLATED 0.015μm MIN OTHERS(UNDER PLATING):NICKEL PLATED 2μm min	7	PS	CLEAR (REINFORCEMENT COLLAR)
1	POLYAMIDE	UL94V-0, NATURAL (BEIGE)	6	PS	BLACK (PLASTIC REEL)
			5	POLYESTER	CLEAR (COVER TAPE)
			4	PS	CLEAR (EMBOSSED CARRIER TAPE)
			3	BRASS	TIN PLATED 2μm MIN (UNDER PLATING):NICKEL 1μm MIN
NO.	MATERIAL	FINISH . REMARKS	NO.	MATERIAL	FINISH . REMARKS
UNITS mm		SCALE 5 : 1	COUNT 1	DESCRIPTION OF REVISIONS DIS-H-00001707	
APPROVED : KH. IKEDA 12.11.06			DESIGNED	SH. HOSODA	
CHECKED : YH. MICHIDA 12.11.06			CHECKED	TS. MIYAZAKI	
DESIGNED : YN. SAKAMOTO 12.11.06			DATE	16.06.10	
DRAWN : YN. SAKAMOTO 12.11.06			DRAWING NO. EDC3-163510-77		
HRS HIROSE ELECTRIC CO., LTD.			PART NO. DF12B(3.5)-*DP-0.5V(86)		
			CODE NO. CL537		



STYLE AND DIMENTION OF REEL (FREE)



R-R (FREE)



CODE NO.	CONTACT	H	J	K	L	M	N
CL537-0328-0-86	20	16	-	7.5	12	0.38	17.5
CL537-0330-2-86	30	24	-	11.5	12	0.38	25.5
CL537-0331-5-86	36	24	-	11.5	8	0.30	25.5
CL537-0332-8-86	40	24	-	11.5	12	0.38	25.5
CL537-0334-3-86	50	24	-	11.5	8	0.30	25.5
CL537-0336-9-86	60	32	28.4	14.2	12	0.30	33.5

SUPPLIER  
 QUANTITY  
 PART No.  
 CODE No.  
 DATE OF MANUFACTURED

DETAIL OF PART No. LABEL

生産月日	年 月 日
図番	CL537-****-*86
品名	DF12B(3.5)-*DP-0.5V(86)
納入数量	1000K0
納入者	ヒロセ電機(株)

- NOTES 4 1 REEL 1000 CONNECTORS.  
 5 AT THE BEGINNING OF THE REEL, 30 COMPONENTS SHALL BE EMPTY. AT THE END OF THE REEL, 20 COMPONENTS SHALL BE EMPTY.  
 6 WHEN THE TAPE WIDTH IS 32 mm OR 44 mm, SPROCKET HOLES SHALL BE SET ON BOTH SIDE OF REEL AS SHOWN ON THIS DRAWING.  
 7 PEEL FORCE REFERS TO JIS C 0806(IEC 60286-3) .  
 8 THE REEL IS PACKED WITH A POLYETHYLENE MATERIAL, TOGETHER WITH A DRYING AGENT.  
 9 AFTER PACKING, ROLL 2 METERS OF THE REINFORCEMENT COLLAR TO OUTER CIRCUMFERENCE OF TAPE AND REEL POCKET, AND TAPE DOWN AT THE END THE COLLAR.

<b>HRS</b>	DRAWING NO.	EDC3-163510-77
	PART NO.	DF12B(3.5)-*DP-0.5V(86)
	CODE NO.	CL537
		2/2