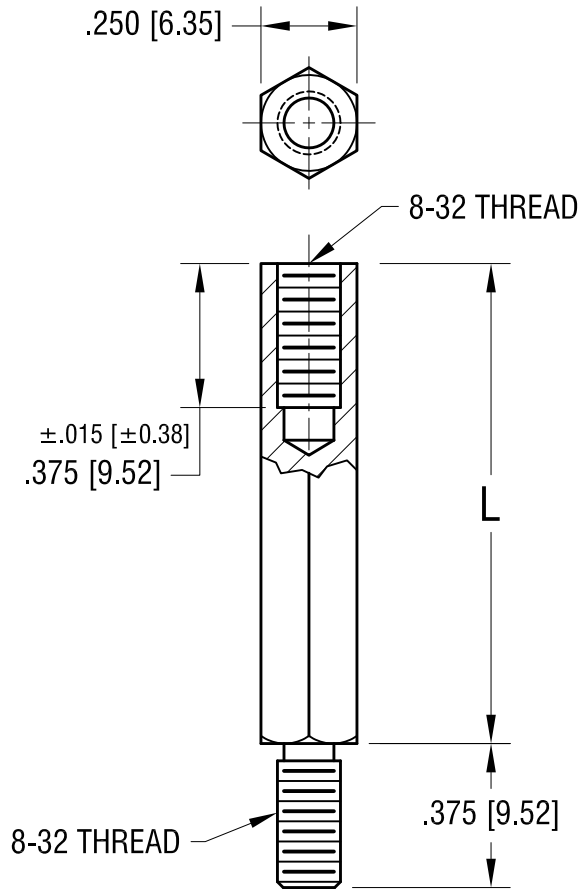


THIS DOCUMENT IS THE PROPERTY OF
KEYSTONE ELECTRONICS CORP. AND
SHALL NOT BE REPRODUCED, DISTRIBUTED
OR USED AS A BASIS FOR MANUFACTURE
WITHOUT PRIOR WRITTEN PERMISSION
FROM KEYSTONE ELECTRONICS CORP.



PART NO.	'L' DIM.
8433	1.250 [31.75]
8434	1.375 [34.93]
8435	1.500 [38.10]
8436	1.625 [41.28]
8437	1.750 [44.45]
8438	2.000 [50.80]

KEYSTONE ELECTRONICS CORP.

www.keyelco.com • ASTORIA, N.Y. 11105-2017 • Tel (718) 956-8900

PART NAME		HEX M/F STANDOFF	
MATERIAL		ALUMINUM	
FINISH	CLEAR IRIDITE	DRN BY	BOONE
		APP'D	LN
		DATE	3.3.98
		SCALE	2X
TOLERANCES	INCH [MM]	CODE	DWG NO.
DECIMAL	± .005 [± 0.13]	C	
ANGULAR	± 1°		
UNLESS OTHERWISE SPECIFIED			

8433-8438

DATE	DESCRIPTION	REV.