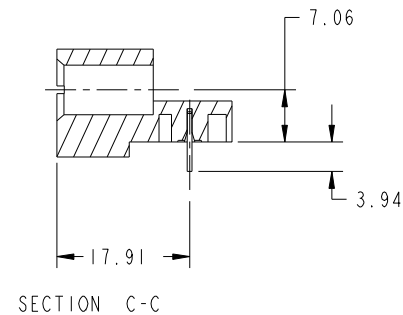
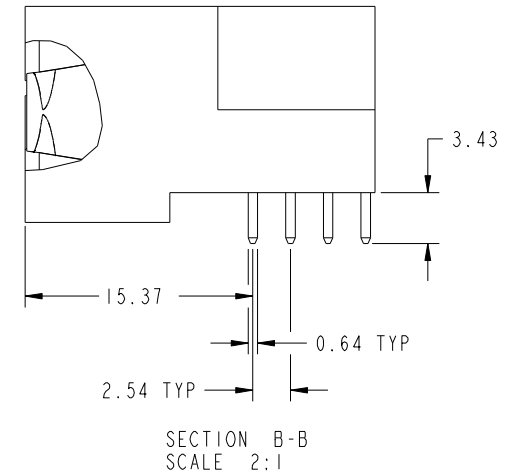
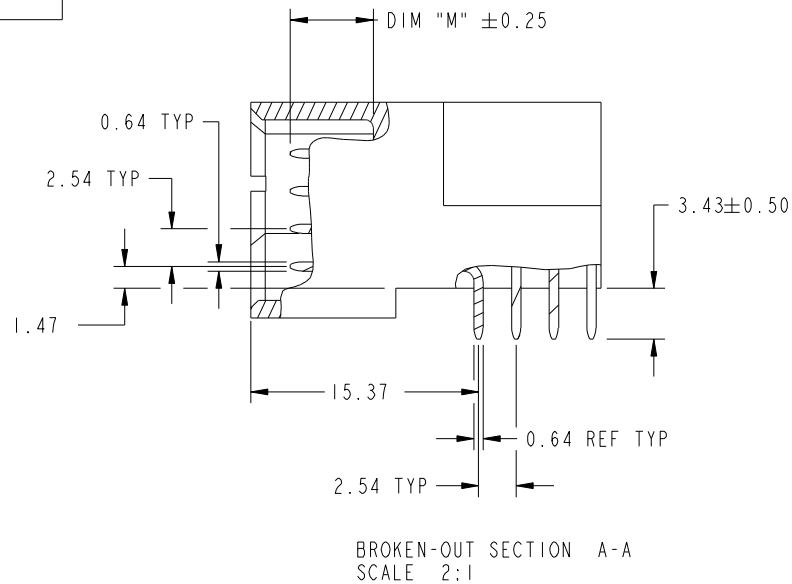


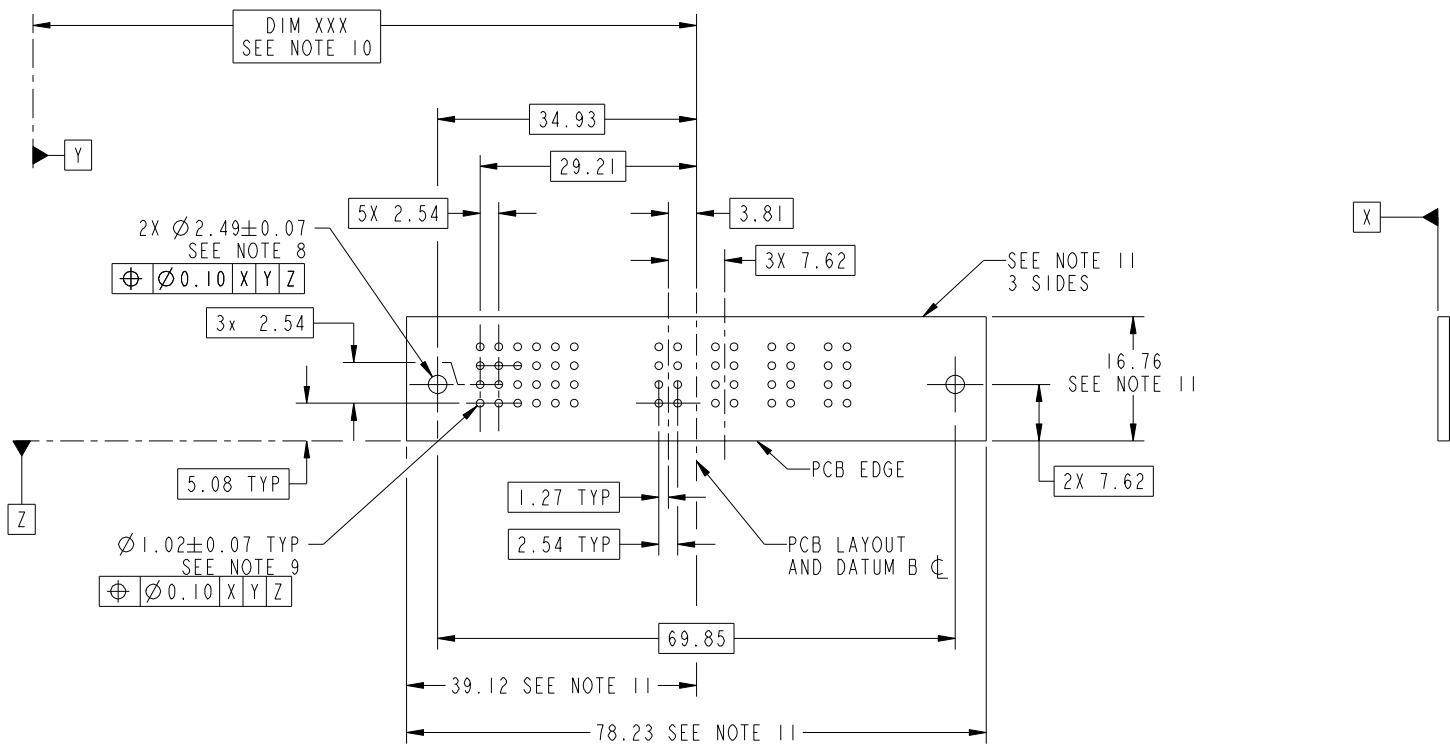
PRODUCT NUMBER
51939-710__
NOTE: 3



Copyright FCI.

dr	Weller Luo	2012-10-07	projection	MM	size	A4	scale	1:1
eng	Weller Luo	2012-11-25			ecn no	DG06-XXXX		
chr	-	-			rel level	Released		
appr	PM Zheng	2012-11-25	product family	PwrBlade				
	title	24S + 6ACP		dwg no	51939-710		rev	A
www.fci.com	cat. no.	-	Product - Customer Drw			sheet 2 of 4		

PRODUCT NUMBER
51939-710__
NOTE: 3



RECOMMENDED PCB LAYOUT



Copyright FCI.

dr	Weller Luo	2012-10-07	projection 	MM 	size	A4	scale	1:1
eng	Weller Luo	2012-11-25			ecn no	DG06-XXXX		
chr	-	-	product family	PwrBlade	rel level	Released		
appr	PM Zheng	2012-11-25	title		24S + 6ACP	dwg no	51939-710	rev
www.fci.com			cat. no.		-	Product - Customer Drw		A
					sheet 3 of 4			

Print File - REV C - 2009-06-09

PRODUCT NUMBER

51939-710__
NOTE: 3

NOTES:

1. DIMENSIONS AND TOLERANCES ARE IN ACCORDANCE WITH ASME Y14.5M, 1994 UNLESS OTHERWISE SPECIFIED.

CONNECTOR NOTES:

- 2. HOUSING MATERIAL: UL 94 V-0 GLASS FILLED HIGH-TEMP THERMOPLASTIC
POWER CONTACT MATERIAL: COPPER ALLOY
SIGNAL PIN MATERIAL: COPPER ALLOY
- 3. SEE ITEM 1 & 2 IN PRINT 10064183 FOR PLATING SPEC OF 51939-710 AND 51939-710LF RESPECTIVELY.
- 4. MANUFACTURER'S NAME, DATE CODE AND OPTIONAL P/N TO APPEAR ON THIS SURFACE. THE P/N CAN BE OMITTED IF THERE IS NOT ENOUGH SPACE ON THIS SURFACE.
- 5. PRODUCT SPECIFICATION GS-12-149.
APPLICATION SPECIFICATION BUS-20-067.
- 6. PACKAGED IN TRAYS.

PCB NOTES:

- 7. ALL HOLE DIAMETERS ARE FINISHED HOLE SIZE.
- 8. MOUNTING HOLES, WHERE APPLICABLE, ARE UNPLATED.
- 9. $\varnothing 1.151 \pm 0.025$ DRILLED HOLES PLATED WITH 0.008 MIN SnPb OR Sn OVER 0.03 TO 0.08 Cu PLATING TO ACHIEVE $\varnothing 1.02 \pm 0.07$ HOLE.
- 10. "DIM XXX" TO BE DETERMINED BY THE CUSTOMER.
- 11. CONNECTOR KEEP-OUT ZONE.



C

Copyright FCI.

D

dr	Weller Luo	2012-10-07	projection 	MM 	size	A4	scale	1:1
eng	Weller Luo	2012-11-25			ecn no	DG06-XXXX		
chr	-	-	product family		PwrBlade	rel level	Released	
appr	PM Zheng	2012-11-25	title		24S + 6ACP		dwg no	51939-710
www.fci.com			cat. no.		-		Product - Customer Drw	rev
							sheet 4 of 4	A