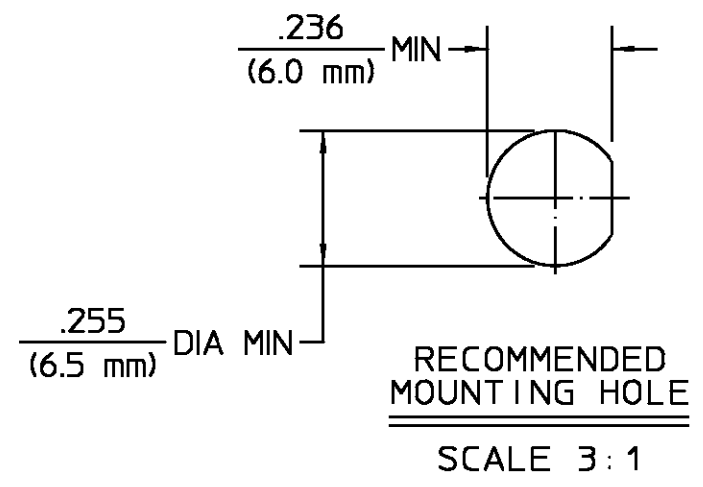


REVISIONS			
REV	DESCRIPTION	DATE	APPROVED
01	4 REVISED PER ECN 95-0383	JD 8/18/95	<i>PRB</i>



NOTES:
1. CAPTURED CENTER CONTACT

HOUSING	STAINLESS STEEL PER ASTM-A484 AND ASTM- A582, TYPE 303	GOLD PLATE PER MIL-G-45204
MOUNTING NUT		
LOCKWASHER		
DIELECTRIC	TFE FLUOROCARBON PER ASTM-D-1457, MIL-P-19468, AND FED. SPEC L-P-403	N/A
CENTER CONTACT	BERYLLIUM COPPER PER QQ-C-530, ALLOY 173	GOLD PLATE PER MIL-G-45204

COMPONENT	MATERIAL	FINISH
-----------	----------	--------

UNLESS OTHERWISE SPECIFIED DIMENSIONS ARE IN INCHES TOLERANCE ON	DRAWN BY	BWC	DATE	6/6/67	AMP Incorporated 140 Fourth Avenue Waltham, MA 02451-7599
	CHECKED BY	PRB	5/7/68		
	APP'D BY	DN	5/7/68		

These drawings and specifications are the property of M/A-COM incorporated and shall not be reproduced or copied or used in whole or in part as the basis for the manufacture or sale of item(s) without written permission.	USE ASSY PROCEDURE	TITLE OSM BULKHEAD FEEDTHRU FRONT MOUNT JACK RECEPTACLE SOLDER POT TERMINAL	
	NO. AP. <u>N/A</u>	SIZE B	CODE IDENT NO. 26805
		SCALE 6:1	2058-0000-00