

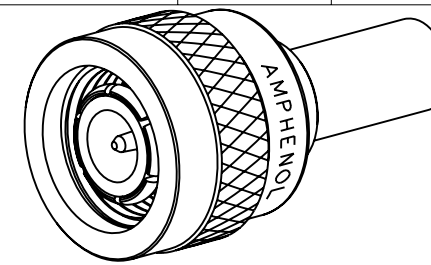
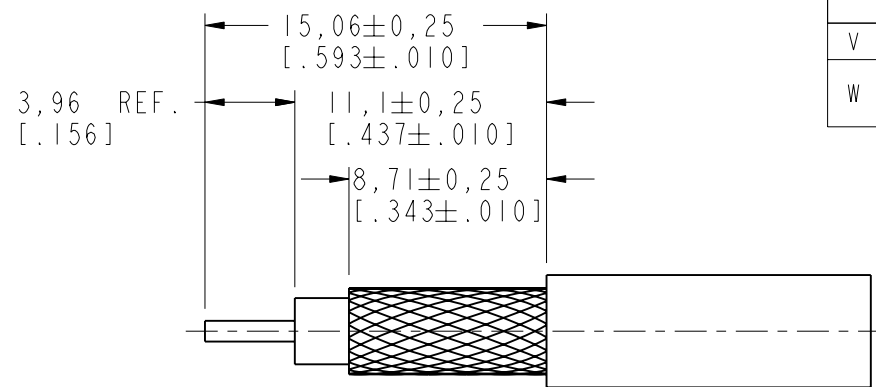
NOTES:

1. MATERIALS AND FINISHES:
 BODY - BRASS, NICKEL PLATING
 CONTACT - BRASS, GOLD PLATING
 INSULATOR - PTFE
2. ELECTRICAL:
 A. IMPEDANCE: 50 OHM
3. MECHANICAL:
 A. DURABILITY: 500 CYCLES MIN.
 B. TEMPERATURE RANGE: -65° C TO +165° C
4. PACKAGING:
 A. QUANTITY: SINGLE PACK
 B. MARKING: BAG TO BE MARKED
 "AMPHENOL RF, 31-2367, AND DATE CODE"
 C. FERRULE & CONTACT ARE SHIPPED LOOSE
5. SHOWS CABLE ENTRY DIMENSIONS.
6. CUSTOMER NOTE: SOLDER CONTACT TO CABLE.
 WHEN CRIMPING CONTACT TO CABLE, CRIMP WITH AMPHENOL TOOL 227-944 (M22520/5-01)
 AND DIE SET 227-1221-11, CAVITY 'B' (M22520/5-11 CLOSURE 'B')
7. CRIMP WITH AMPHENOL TOOL 227-944 (M22520/5-01) AND DIE SET 227-1221-11, CAVITY 'A' (M22520/5-11, CLOSURE 'A').

THIRD ANGLE PROJ.

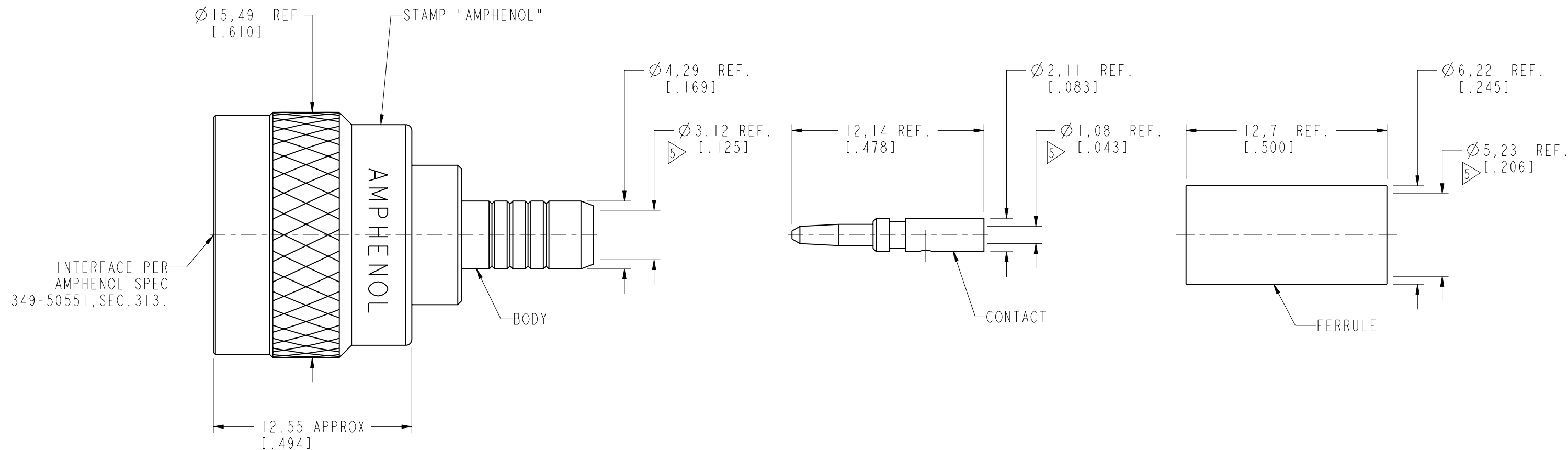
REVISIONS

REV	DESCRIPTION	DATE	ECO	APPR
	RELEASE TO MFG.			
V	ADDED COD; STAMP "AMPHENOL" WAS "74868" \RD-DM12092001R3	19-Oct-12	49079	S.H
W	REMOVE 'M23329/4-01-03', 'MIL-CRIMP 23329 IN TITLE' \RD-DM14090501J9	17-Sep-14	50170	S.H



SCALE 2.000

RECOMMENDED CABLE STRIPPING DIMENSIONS



CUSTOMER OUTLINE DRAWING

ALL OTHER SHEETS ARE FOR INTERNAL USE ONLY

UNLESS OTHERWISE SPECIFIED, DIMENSIONS ARE IN METRIC AND TOLERANCES ARE: <0.5mm ±0.05mm 0.5 - 6mm ±0.1mm 6 - 30mm ±0.2mm 30 - 120mm ±0.3mm ANGLES ±1°	MATERIAL	DRAWN JONA	DATE 09-Sep-14	TITLE TNC PLUG FOR RG58 & 141/U CABLE		Amphenol RF www.amphenolrf.com	
	REFERENCE EAR # 961603 AND CONFIGURATION LEVEL: <input type="checkbox"/> <input type="checkbox"/>	ENGINEER S.LI	DATE 13-Aug-12				
NOTICE - These drawings, specifications, or other data (1) are, and remain the property of Amphenol corp. (2) must be returned upon request; and (3) are confidential and not to be disclosed to any person other than those to whom they are given by Amphenol Corp. the furnishing of these drawings, specifications, or other data by Amphenol Corp., or to any other person to anyone for any purpose is not to be regarded by implication or otherwise in any manner licensing, granting rights to permitting such holder or any other person to manufacture, use or sell any product, process or design, patented or otherwise, that may in any way be related to or disclosed by said drawings, specifications, or other data.	FINISH	APPROVED S.HSIEH	DATE 09-Sep-14	SCALE: 4.0:1.0	SHEET 2 OF 2	DRAWING NO. 31-2367	
			CAD FILE		DWG SIZE B	REV W	ITEM NO. 31-2367