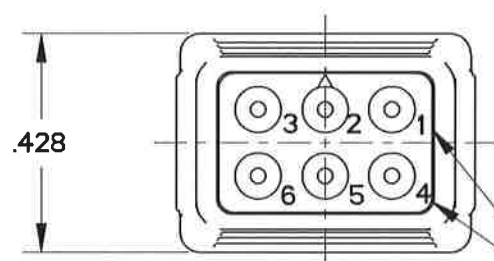


SQR620250

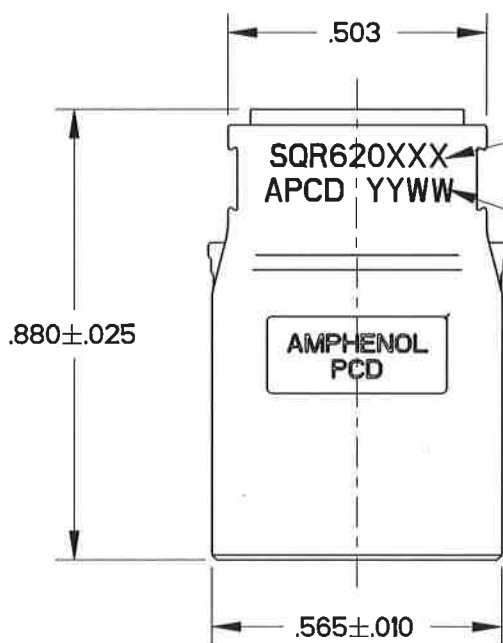
TABLE I - PART NUMBER SCHEME

APCD P/N	CONTACTS SUPPLIED	COLOR / KEY	P/N MARKING	PART MATES WITH
SQR620271	(6) M39029/57-357	WHITE / C	SQR620270	SQR620120
SQR620270	NONE			
SQR620261	(6) M39029/57-357	GREEN / B	SQR620260	SQR620110
SQR620260	NONE			
SQR620251	(6) M39029/57-357	BLACK / A	SQR620250	SQR620100
SQR620250	NONE			

REV	ECN	APP'D
-	7845	JT 12/28/16

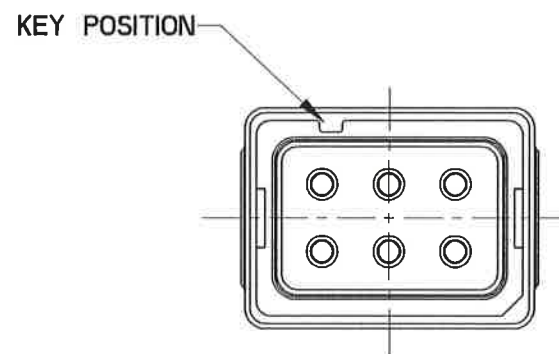
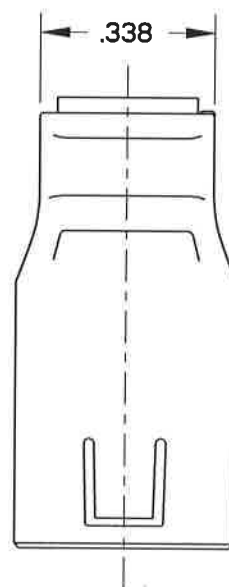


GROMMET MARKING  
COLOR: CONTRASTING

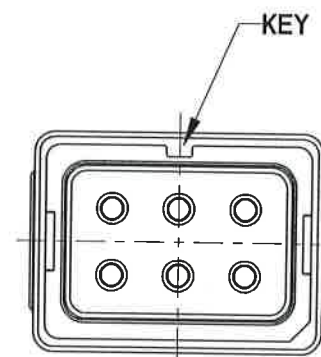


P/N MARKING  
SEE TABLE I  
COLOR: CONTRASTING

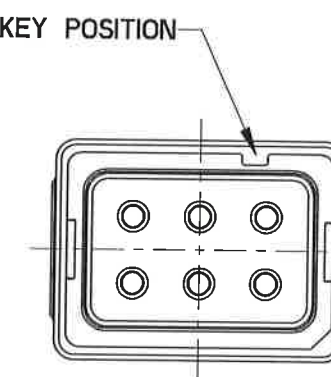
DATE CODE



KEY A: SQR620250



KEY B: SQR620260



KEY C: SQR620270

NOTES:

- MATERIALS:  
OUTER HOUSING: POLYETHERIMIDE  
INNER HOUSING: POLYETHERIMIDE  
CONTACT RETAINER: STAINLESS STEEL  
GROMMET: SILICONE RUBBER PER A-A-59588
- PART ACCEPTS M39029/57-357 CONTACTS
- WEIGHT: 3.0g

DIMENSIONS	TOLERANCES	PROJECTION	Amphenol Pcd SPECIFICATION DRAWING		TITLE 6 POS SIZE 20 RECEPTACLE WITH SOCKET CONTACTS SQR SIZE 2		
ANSI Y14.5M UNITS: INCHES Pro/E FILE	.XX ±0.01 .XXX ±0.005 ANGLES ±2.0°		ENGR TONY.CHEN Apr-05-16		SIZE <b>B</b>	DWG NO. <b>SQR620250</b>	REV -
ORIGINAL	THIS DOCUMENT CONTAINS PROPRIETARY INFORMATION WHICH IS THE CONFIDENTIAL PROPERTY OF AMPHENOL PCD INC., BEVERLY, MA		CHKD <i>William</i> 12/28/16	APPD <i>Stall</i> 12/28/16	CODE: 58982	SCALE: 8:3	SHEET 1 OF 1

SQR620250

SQR620250