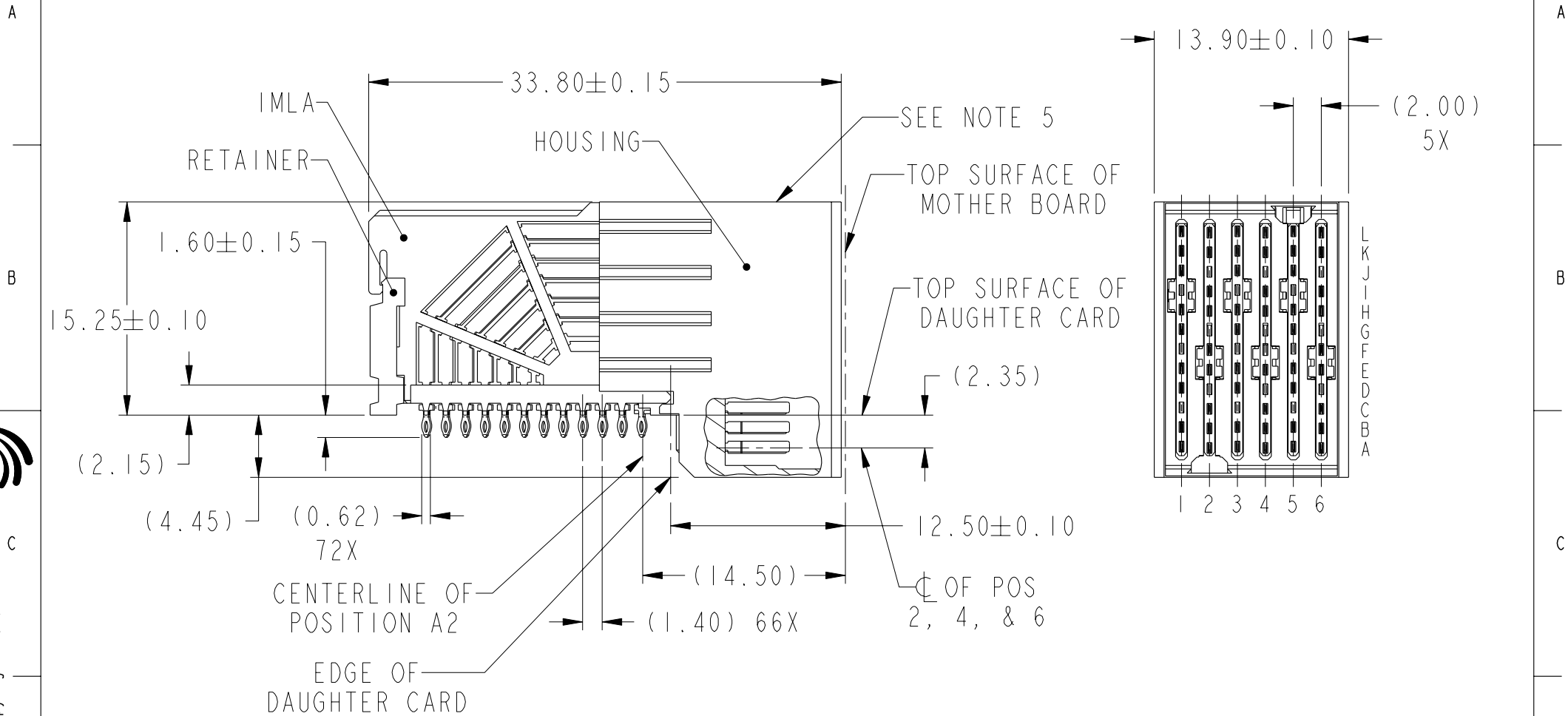


Product number
SEE TABLE, SHT 5



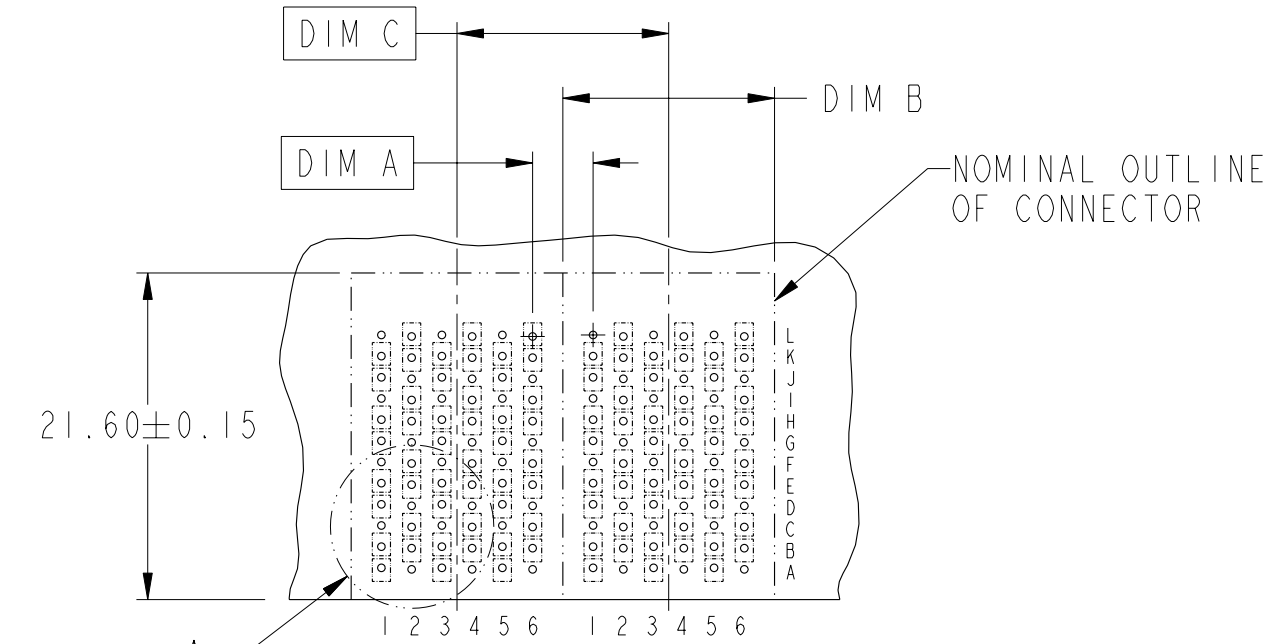
Copyright FCI.

rev	ecn no	dr	date
A	S08-0192	CH	2008-06-20
-	-	-	-
-	-	-	-
-	-	-	-
-	-	-	-
-	-	-	-

www.fciconnect.com		surface - ASME Y14.5	tolerance std ASME Y14.5	projection ASME Y14.5	MM
		TOLERANCES UNLESS OTHERWISE SPECIFIED			
Dr	C. H. TAN	2008-06-20	ANGULAR	0.X	±
Eng	C. H. TAN	2008-06-20	LINEAR	0.XX	±
Chr	C. H. TAN	2008-06-20	0° ±°	0.XXX	±
Appr	JOEY NG	2008-06-20	Product family AirMax VS		Spec ref
FCI			AirMax VS R/A HEADER ASSY		Rev. A
			PRESS-FIT, 72 POS, 14MM		
catalog no			-		10084586
			CUSTOMER		sheet 1 of 5

REV F - 2006-04-17

DESCRIPTION	DIM A	DIM B	DIM C
2-14MM MODULES PLACED END-TO-END	4.00	13.90 2X	14.00
1-12MM MODULE & 1-14MM MODULE PLACED END-TO-END	3.00	11.90 1X & 13.90 1X	13.00



RECOMMENDED PCB LAYOUT
FOR DIFFERENTIAL APPLICATIONS
COMPONENT SIDE
(TWO ADJACENT FOOTPRINTS SHOWN)
NOTES 6 & 7



title AirMax VS R/A HEADER ASSY
PRESS-FIT, 72 POS, 14MM
catalog no -

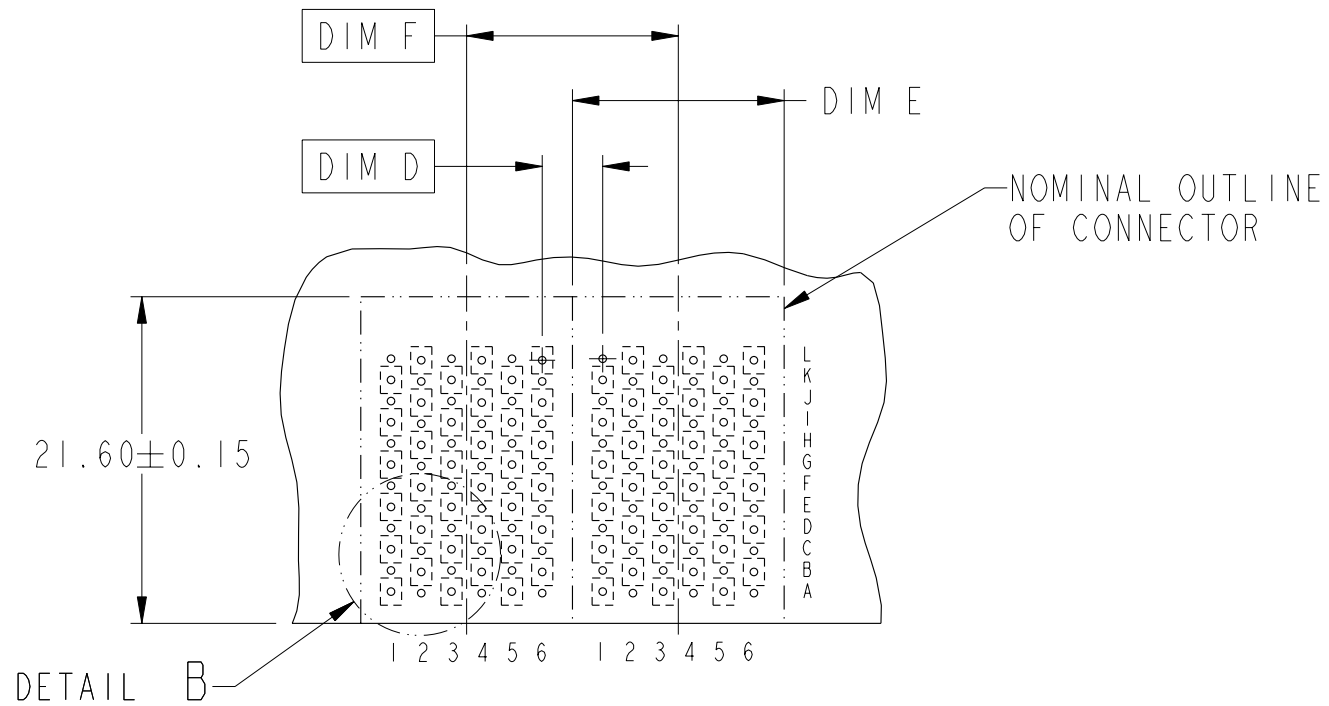
dwg no 10084586

Rev. A

CUSTOMER sheet 2 of 5



DESCRIPTION	DIM D	DIM E	DIM F
2-14MM MODULES PLACED END-TO-END	4.00	13.90 2X	14.00
1-12MM MODULE & 1-14MM MODULE PLACED END-TO-END	3.00	11.90 1X & 13.90 1X	13.00



RECOMMENDED PCB LAYOUT
FOR SINGLE ENDED APPLICATIONS
COMPONENT SIDE
(TWO ADJACENT FOOTPRINTS SHOWN)
NOTES 6 & 7

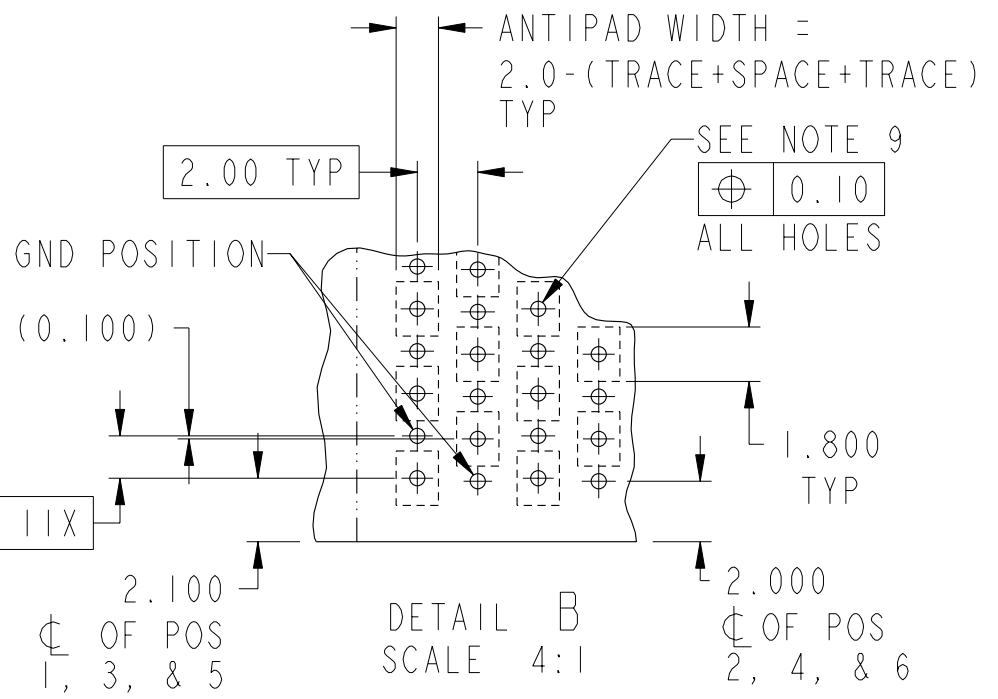
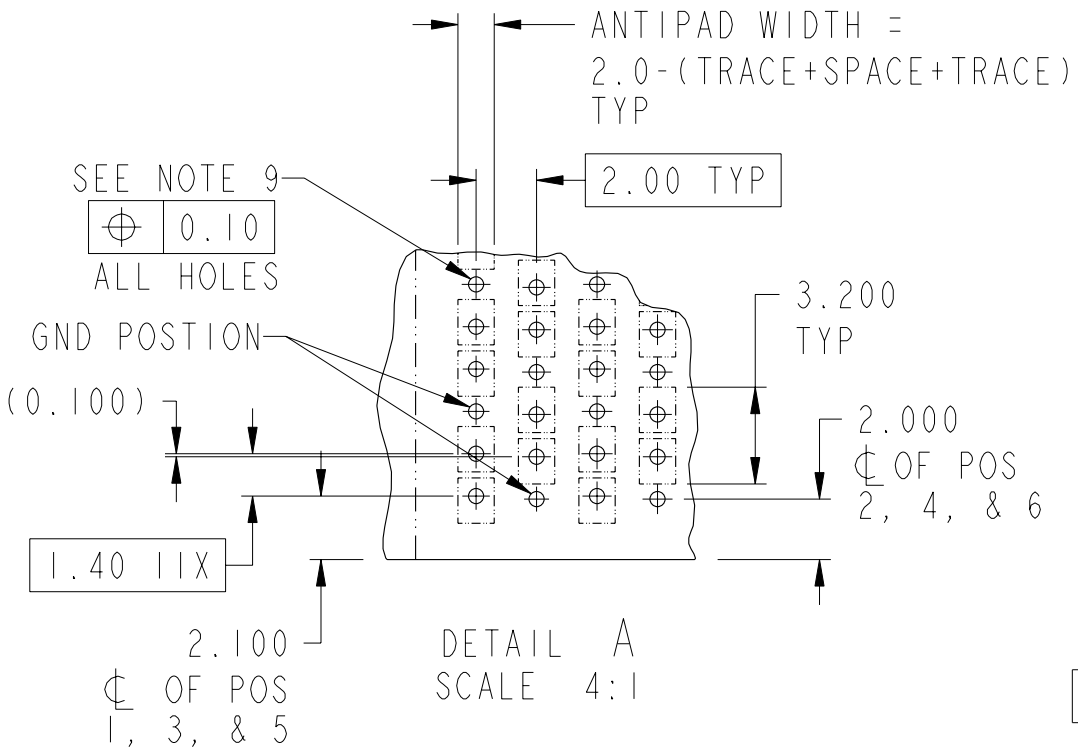


title	AirMax VS R/A HEADER ASSY	dwg no	10084586	Rev.	A
	PRESS-FIT, 72 POS, 14MM				
catalog no	-	CUSTOMER	sheet 3 of 5		





Copyright FCI.



REV F - 2006-04-17



Part no AirMax VS R/A HEADER ASSY
 Part no PRESS-FIT, 72 POS, 14MM
 catalog no -

dwg no 10084586
 CUSTOMER

Rev. A
 sheet 4 of 5

PART NUMBER	PRESS-FIT TAIL PLATING TYPE
10084586-101LF	TIN OVER NICKEL (LEAD FREE)

A

B

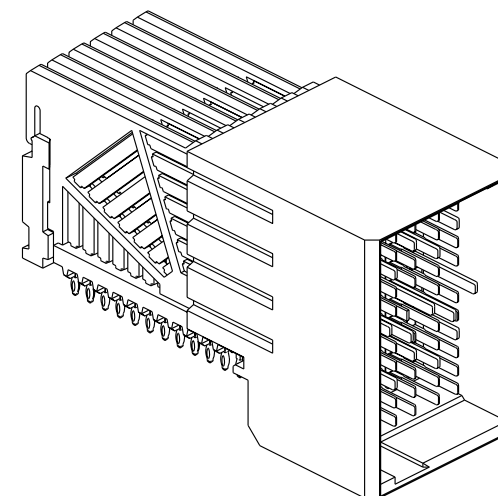
C

Copyright FCI.

D

NOTES:

1. CONNECTOR MATERIALS:
HOUSING & RETAINER: HIGH TEMP THERMOPLASTIC, NATURAL, UL94V-0
IMLA PLASTIC: HIGH TEMP THERMOPLASTIC, BLACK, UL94V-0
CONTACT: COPPER ALLOY
2. CONTACT PLATING:
SEPARABLE INTERFACE:
PERFORMANCE-BASED PLATING, QUALIFIED TO MEET THE
REQUIREMENTS OF FCI PRODUCT SPECIFICATION GS-12-239,
INCLUDING TELCORDIA GR-1217-CORE (NOVEMBER 1995)
CENTRAL OFFICE.
PRESS-FIT TAILS: SEE TABLE
3. PRODUCT SPECIFICATION: GS-12-239
4. APPLICATION SPECIFICATION: GS-20-035
5. PRODUCT MARKING, (PART NUMBER & LOT CODE), ON THIS SURFACE
6. REFER TO CUSTOMER DRAWING 10035911 FOR INFORMATION REGARDING
PCB LAYOUT OF POWER AND GUIDE MODULES RELATIVE TO SIGNAL MODULES
7. POSITIONS F OF ODD NUMBERED COLUMNS AND POSITIONS G
OF EVEN NUMBERED COLUMNS CORRESPOND TO EARLY MATE HEADER PINS
8. THERE IS NO GROUND BUSSING WITHIN THE CONNECTOR SYSTEM
9. REFER TO CUSTOMER DRAWING 10045979 FOR INFORMATION ON PCB HOLE
DIAMETERS AND PLATING OPTIONS.



A

B

C

D

10. THIS PRODUCT MEETS EUROPEAN UNION DIRECTIVES
AND OTHER COUNTRY REGULATIONS AS DESCRIBED IN
GS-22-008.
11. THE HOUSING WILL WITHSTAND EXPOSURE TO 260°C
PEAK TEMPERATURE FOR 40 SECONDS IN A CONVECTION,
INFRA-RED OR VAPOR PHASE REFLOW OVEN.
12. PACKAGING MEETS GS-14-920 LEAD FREE LABELING
SPECIFICATION.



title	AirMax VS R/A HEADER ASSY	dwg no	10084586	Rev.	A
	PRESS-FIT, 72 POS, 14MM				
catalog no	-	CUSTOMER	sheet 5 of 5		