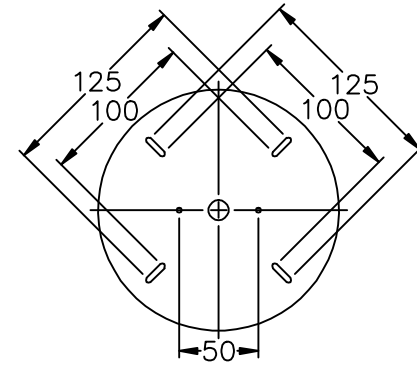


THIS DOCUMENT CONTAINS DATA PROPRIETARY TO PROJECTS UNLIMITED, INC. ANY USE OR REPRODUCTION, IN ANY FORM, WITHOUT PRIOR WRITTEN PERMISSION OF PROJECTS UNLIMITED, INC. IS PROHIBITED.
 ©2005, Projects Unlimited Inc.

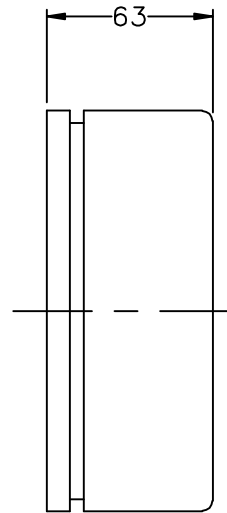
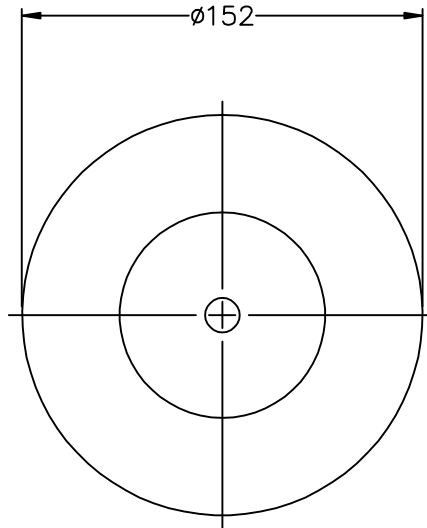
SPECIFICATIONS

PARAMETERS	VALUES	UNITS
RATED VOLTAGE	24	Vdc
OPERATING VOLTAGE RANGE	18 ~ 30	Vdc
CURRENT CONSUMPTION	25	mA
SOUND OUTPUT (TYPICAL)	93 ~ 95	dBA
INGRESS PROTECTION	IP42	-
GONG COLOR	RED	-
OPERATING TEMPERATURE	-10 ~ +55	°C
BASE MATERIAL	POLYCARBONATE	-
GONG MATERIAL	STEEL	-
WEIGHT	850	grams

REVISIONS			
LTR	DESCRIPTION	DATE	APPROVED
-	RELEASED FROM ENGINEERING	12/14/05	
A	ADDED RoHS NOTE	5/22/07	R.W.




FIXING DETAIL



NOTES:

1. ALL DIMENSIONS ARE IN MILLIMETERS.
2. SPECIFICATION SUBJECT TO CHANGE OR WITHDRAWAL WITHOUT NOTICE.
3. THIS PART IS RoHS 2002/95/EC COMPLIANT.

FILE NAME
AWB-20R6-24.DWG

UNLESS OTHERWISE SPECIFIED: DIMENSIONS ARE IN MILLIMETERS. TOLERANCES ARE ±0.5 AND ANGLES ARE ±3°.		 projects[®] unlimited Dayton, Ohio									
<table border="1"> <thead> <tr> <th>APPROVALS</th> <th>DATE</th> </tr> </thead> <tbody> <tr> <td>DRAWN <i>J.A.F.</i></td> <td>12/05</td> </tr> <tr> <td>CHECKED <i>E.P.</i></td> <td>12/05</td> </tr> <tr> <td>APPROVED <i>B.R.</i></td> <td>12/05</td> </tr> </tbody> </table>		APPROVALS	DATE	DRAWN <i>J.A.F.</i>	12/05	CHECKED <i>E.P.</i>	12/05	APPROVED <i>B.R.</i>	12/05	<p>BELL</p>	
APPROVALS	DATE										
DRAWN <i>J.A.F.</i>	12/05										
CHECKED <i>E.P.</i>	12/05										
APPROVED <i>B.R.</i>	12/05										
<table border="1"> <tr> <td>SIZE A</td> <td>DRAWING NO. AWB-20R6-24</td> </tr> </table>	SIZE A	DRAWING NO. AWB-20R6-24	<p>DO NOT SCALE DRAWING</p>								
SIZE A	DRAWING NO. AWB-20R6-24										
SCALE: N.T.S.	SHEET 1 OF 1										