

# SR203M and SR203AM

Rev. 2.06



Conforms to EN60204-1, EN954-1, ISOTR 12100  
UL and C-UL listed, BG approved



H

safety monitoring relays

## SR203M and SR203AM

### Dual Channel Safety Monitoring Relay

- Power requirements—the SR203M/A will accept 24 VAC/DC, 115 VAC, or 230 VAC
- Inputs—the SR203M/A will accept single or dual N/C inputs or dual PNP inputs from a light curtain
- Outputs—the SR203M/A has 3 N/O outputs to route power to the coils of power contactors, plus 1 N/C auxiliary output for signaling purposes
- External Device Monitoring (EDM) is provided with a N/C loop between S12 and S34 on the SR203M/A
- Monitored manual or automatic/manual reset modes are available on the SR203M/A
- The SR203M/A have removable terminal blocks



#### Go to the Engineering Guide

For in-depth information on safety standards and use.



H64

**USA** Tel. 1/888/510-4357  
**Canada** Tel. 1/800/221-7060

**UK** Tel. +44 (0) 1395-273-209  
**Europe** Tel. +49 (0) 5258-938-776

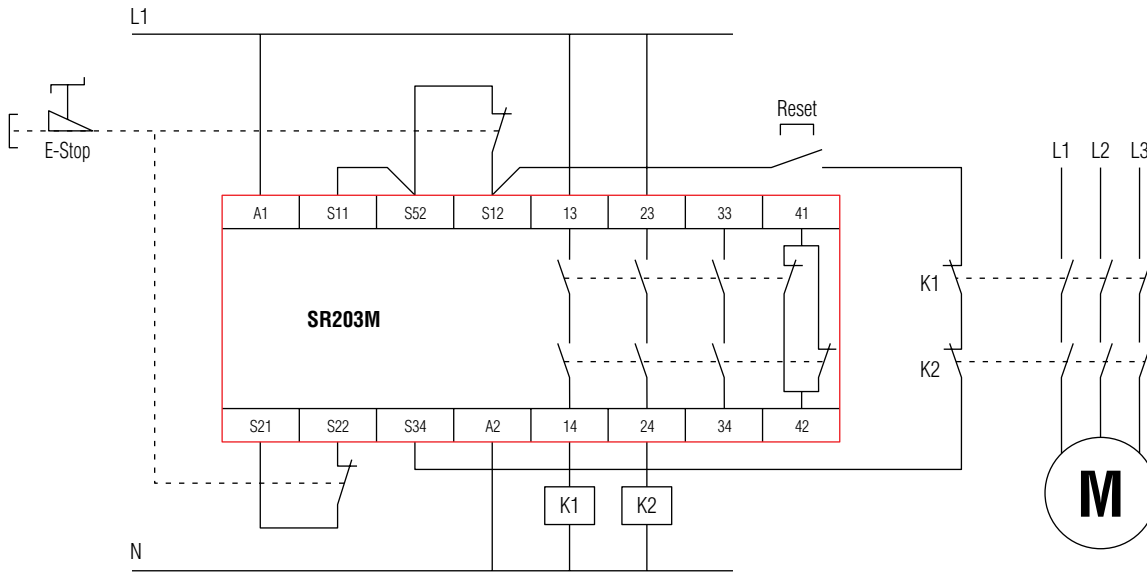
**Japan** Tel. +81-466-22-1132  
**China** Tel. +86-21-5836-7708  
**Singapore** Tel. +65-648-44-001



#### For the Latest Information

On the Internet: [www.sti.com](http://www.sti.com)  
E-mail: [sales@sti.com](mailto:sales@sti.com)

## Application



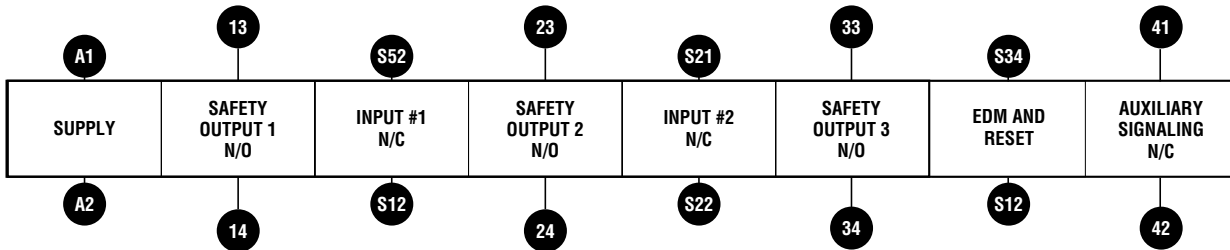
## Output Contact Arrangements



## Terminal Pin Assignments

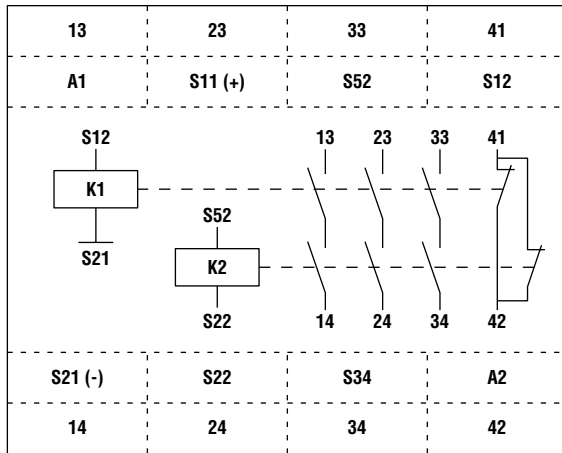
14			S21	A1			13
24			S22	S11			23
34			S34	S52			33
42			A2	S12			41

## Terminal Connections



H  
safety monitoring relays

## ■ Block Diagram

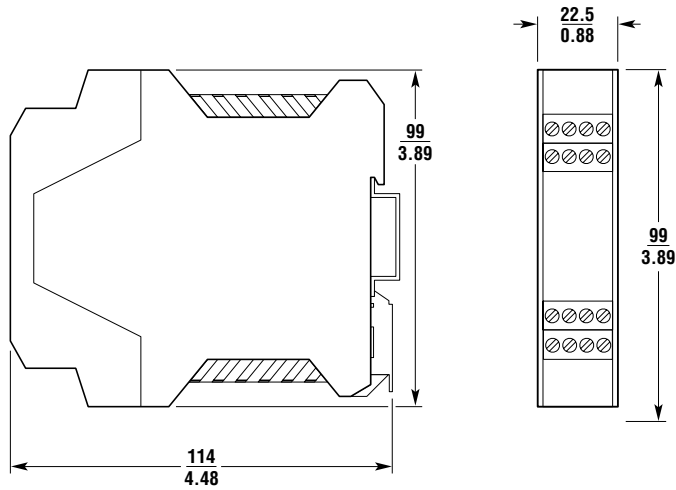


H

safety monitoring relays

## ■ Dimensions — mm/in.

SR203M/A



**A** **Go to the Engineering Guide**  
For in-depth information on safety standards and use.



**USA** Tel. 1/888/510-4357  
**Canada** Tel. 1/800/221-7060

**UK** Tel. +44 (0) 1395-273-209  
**Europe** Tel. +49 (0) 5258-938-776

**Japan** Tel. +81-466-22-1132  
**China** Tel. +86-21-5836-7708  
**Singapore** Tel. +65-648-44-001



**For the Latest Information**  
On the Internet: [www.sti.com](http://www.sti.com)  
E-mail: [sales@sti.com](mailto:sales@sti.com)

## ■ Specifications

		SR203M01	SR203M02	SR203M03
Electrical	All Models	SR203AM01	SR203AM02	SR203AM03
<b>Power Supply:</b>	±10%, 50-60 Hz	24 VAC/DC	115 VAC	230 VAC
<b>Power Consumption:</b>	Approx. 2 W			
<b>Safety Inputs:</b>	1 N/C or 2 N/C or 2 PNP (light curtain)			
<b>Outputs:</b>	3 N/O safety, 1 N/C auxiliary			
<b>Output Rating AC:</b>	Inductive AC-15, 5 A/230 VAC			
<b>Output Rating DC:</b>	Inductive DC-13, 3 A/24 VDC			
<b>Min Switched Current/Voltage:</b>	10 mA/10 V			
<b>Impulse Withstand Voltage:</b>	2500 V			
<b>Max Drop-Out Time:</b>	15 ms (while energized)			
<b>Max Output Fuse:</b>	10 A quick-acting or 6 A slow-acting			
<b>Reset Mode:</b>	Monitored manual (SR203M) or auto/manual (SR203A)			
<b>External Device Monitoring (EDM):</b>	N/C loop S12-S34			
<b>Mechanical</b>				
<b>Mounting:</b>	35 mm (1.38 in.) DIN rail			
<b>Case Material:</b>	Polyamide PA6.6			
<b>Max Wire Size:</b>	0.2 to 4 mm <sup>2</sup> (24-12 AWG)			
<b>Weight:</b>		210 g (7.4 oz.)	260 g (9.2 oz.)	260 g (9.2 oz.)
<b>Color:</b>	Red			
<b>External Switches:</b>	None			
<b>Indication:</b>	Green = Power, Green = CH1 Closed, Green = CH2 Closed			
<b>Mechanical Life:</b>	2 x 10 <sup>6</sup> operations			
<b>Environmental</b>				
<b>Enclosure Protection:</b>	IP20 terminals, IP40 (NEMA 1) housing			
<b>Operating Temperature:</b>	-5 to 55°C (23 to 131°F)			
<b>Humidity:</b>	90% RH			
<b>Compliance</b>				
<b>Standards:</b>	EN 60204-1, EN 954-1, ISO TR12100			
<b>Approvals/Listings:</b>	CE marked for all applicable directives, BG, UL and C-UL			
<b>Safety Category:</b>	Cat. 4 per EN954-1 (SR203 internal operation)			

Specifications are subject to change without notice.

Note: The safety contacts of the STI switches are described as normally closed (N/C)—i.e., with the guard closed, actuator in place, and the machine able to be started.

## ■ Ordering

Model	Supply	Inputs	Outputs	Auxiliary	Part No.
SR203AM01	24 VAC/DC	2 N/C	3 N/O	1 N/C	44510-2031
SR203AM02	115 VAC	2 N/C	3 N/O	1 N/C	44510-2032
SR203AM03	230 VAC*	2 N/C	3 N/O	1 N/C	44510-2033
SR203M01	24 VAC/DC	2 N/C	3 N/O	1 N/C	44510-2034
SR203M02	115 VAC	2 N/C	3 N/O	1 N/C	44510-2035
SR203M03	230 VAC*	2 N/C	3 N/O	1 N/C	44510-2036

\*230 VAC units are available on special order. Minimum quantities may apply.