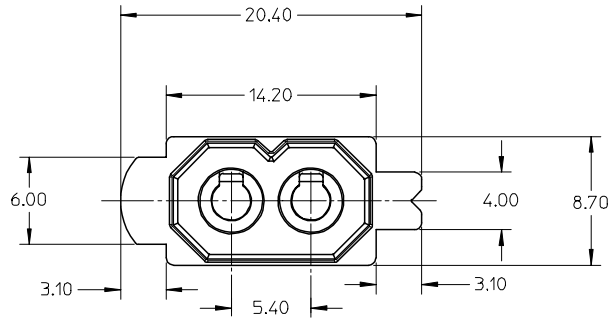
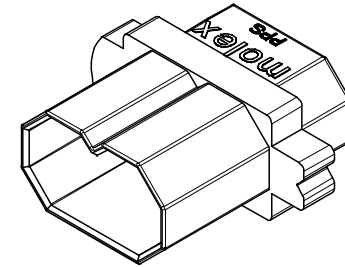
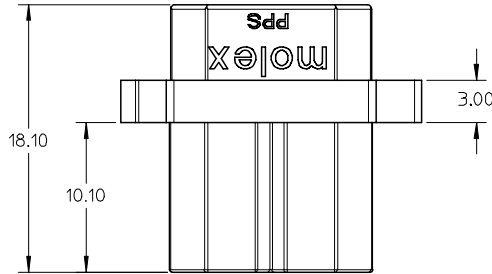


10 9 8 7 6 5 4 3 2 1



NOTES:

1. MATERIAL: PPS GLASS/MINERAL FILLED, UL94V-0, COLOR: BLACK
2. MATE WITH 78196 SERIES.
3. TERMINAL TO BE USED : P/N 78037-2005.
4. PACKAGING INFORMATION : BULK PACKAGING IN POLYBAG.
5. PRODUCT SPECIFICATION ; PS-78196-001

NEW RELEASE EC NO: S2007-0942 DRWN: BOKOK CHKD: CGTAN APPR: KCLING	2007/05/09 2007/05/09 2007/05/09	DESCRIPTION REV	QUALITY SYMBOLS ▽=0 ▽=0	GENERAL TOLERANCES (UNLESS SPECIFIED) <table border="1"> <thead> <tr> <th></th> <th>mm</th> <th>INCH</th> </tr> </thead> <tbody> <tr> <td>4 PLACES</td> <td>± ---</td> <td>± ---</td> </tr> <tr> <td>3 PLACES</td> <td>± ---</td> <td>± ---</td> </tr> <tr> <td>2 PLACES</td> <td>± 0.3</td> <td>± ---</td> </tr> <tr> <td>1 PLACE</td> <td>± 0.5</td> <td>± ---</td> </tr> <tr> <td colspan="3" style="text-align: center;">ANGULAR ± 3 °</td> </tr> </tbody> </table>		mm	INCH	4 PLACES	± ---	± ---	3 PLACES	± ---	± ---	2 PLACES	± 0.3	± ---	1 PLACE	± 0.5	± ---	ANGULAR ± 3 °			DIMENSION STYLE MM ONLY DRAWN BY: BOKOK DATE: 2007/05/02 CHECKED BY: CGTAN DATE: 2007/05/08 APPROVED BY: KCLING DATE: 2007/05/09	SCALE: NTS DESIGN UNITS: METRIC THIRD ANGLE PROJECTION	TITLE: PROJECTOR LAMP CONNECTOR 5.4MM PITCH, PLUG HOUSING MOLEX INCORPORATED	MATERIAL NO.: 78197-1001 DOCUMENT NO.: SD-78197-002 SHEET NO.: 1 OF 1
		mm	INCH																							
	4 PLACES	± ---	± ---																							
	3 PLACES	± ---	± ---																							
2 PLACES	± 0.3	± ---																								
1 PLACE	± 0.5	± ---																								
ANGULAR ± 3 °																										
DRAFT WHERE APPLICABLE MUST REMAIN WITHIN DIMENSIONS				SIZE: A3	THIS DRAWING CONTAINS INFORMATION THAT IS PROPRIETARY TO MOLEX INCORPORATED AND SHOULD NOT BE USED WITHOUT WRITTEN PERMISSION																					

9 8 7 6 5 4 3 2 1