

MATERIAL NUMBER	# OF COLUMNS	# OF DIFF PAIR	DIM 'A' MAX	DIM 'B'	PTH $\phi$
76495-#8**	8	32	22.80	13.30	0.46±0.05
76495-#8**					0.39±0.05
76495-#1**	10	40	26.60	17.10	0.46±0.05
76495-#1**					0.39±0.05
76495-#2**	12	48	30.40	20.90	0.46±0.05
76495-#2**					0.39±0.05
76495-#7**	14	56	34.20	24.70	0.46±0.05
76495-#7**					0.39±0.05
76495-#6**	16	64	38.00	28.50	0.46±0.05
76495-#6**					0.39±0.05

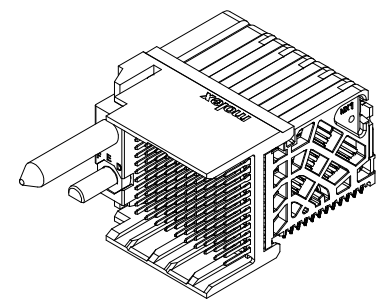
**76495-\*\*\*\***

MODULE TYPE  
 3 = LEFT GUIDED, LEAD-FREE  
 7 = LEFT GUIDED, LEAD-FREE W/ ENDWALL

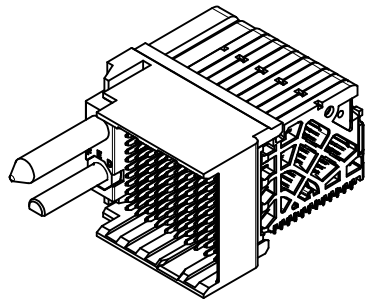
PIN LENGTH (P)  
 4 = 4.90 (0.46 PTH)  
 5 = 5.50 (0.46 PTH)  
 7 = 4.90 (0.39 PTH)  
 8 = 5.50 (0.39 PTH)

# OF COLUMNS  
 1 = 10 COLUMNS  
 2 = 12 COLUMNS  
 6 = 16 COLUMNS  
 7 = 14 COLUMNS  
 8 = 8 COLUMNS

KEY ORIENTATION  
 0 = NO KEY  
 1 = A 5 = E  
 2 = B 6 = F  
 3 = C 7 = G  
 4 = D 8 = H

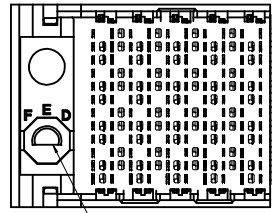
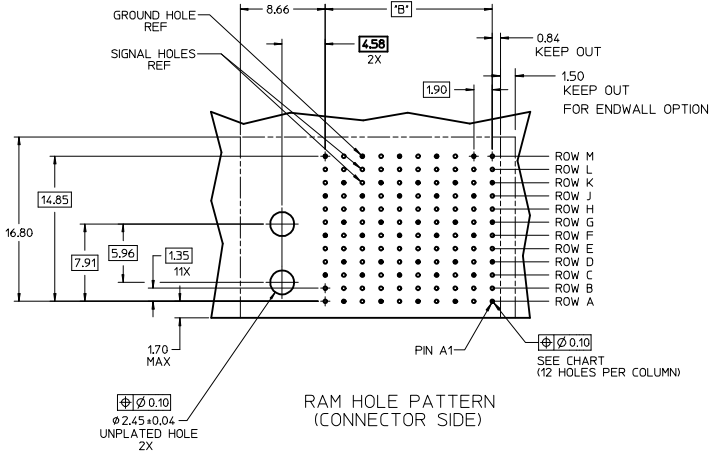
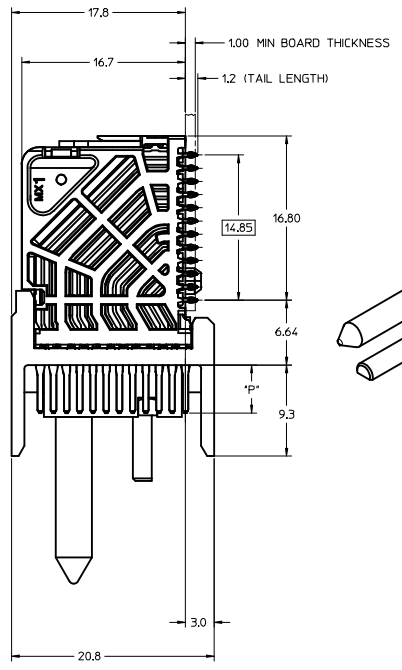
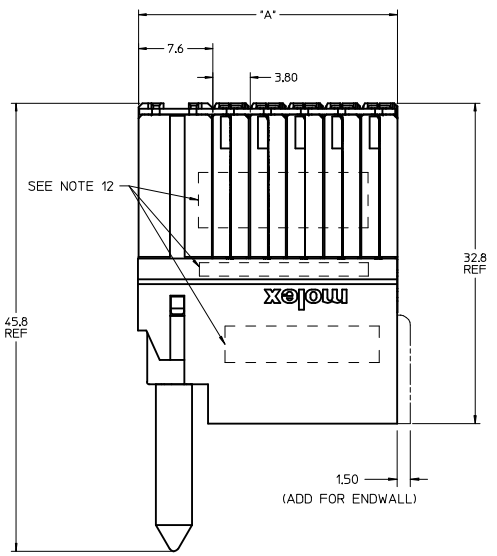


OPEN END OPTION



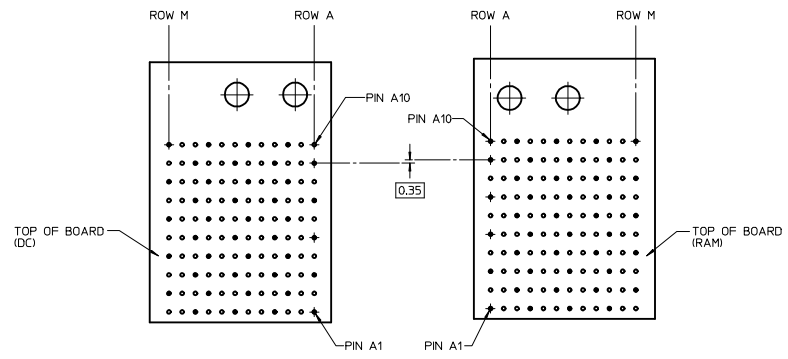
ENDWALL OPTION

- NOTES:
- MATERIALS: HOUSING - LIQUID CRYSTAL POLYMER (LCP), GLASS-FILLED, UL94V-0  
TERMINALS - HIGH PERFORMANCE COPPER ALLOY
  - FINISH: 30NM SELECTIVE GOLD IN CONTACT AREA, SELECTIVE TIN ON PCB TAILS, NICKEL OVERALL.
  - REFER TO MOLEX PRODUCT SPECIFICATION PS-170540-999 FOR PERFORMANCE SPECIFICATIONS AND ADDITIONAL PCB INFORMATION.
  - EACH SIGNAL WAFER CONTAINS 2 COLUMNS OF TERMINALS.
  - PRODUCT IS PACKAGED PER PK-70873-041.
  - THIS PART CONFORMS TO CLASS B REQUIREMENTS OF COSMETIC SPEC PS-45499-002.
  - REFER TO MOLEX SALES DRAWING SD-170340-004 FOR THE MATING RECEPTACLES.
  - REFER TO MOLEX PCB ROUTING GUIDE AS-76060-990 FOR ANTIPAD AND ROUTING RECOMMENDATIONS.
  - CONNECTORS SUPPLIED WITH A 2-32 SCREW 73726-0000 (9.5mm ±0.38mm THREADABLE SCREW LENGTH). THE MAXIMUM BOARD THICKNESS IS 4.4mm.
  - GUIDE LEFT RAM MATES TO GUIDE RIGHT DAUGHTERCARD.
  - GROUND PATHS ARE NOT DISCRETE CIRCUITS.
  - MARKING: LOCATED APPROXIMATELY AS SHOWN, PART NUMBER AND DATE CODE.

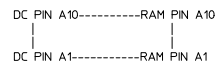


KEY SHOWN IN POSITION A

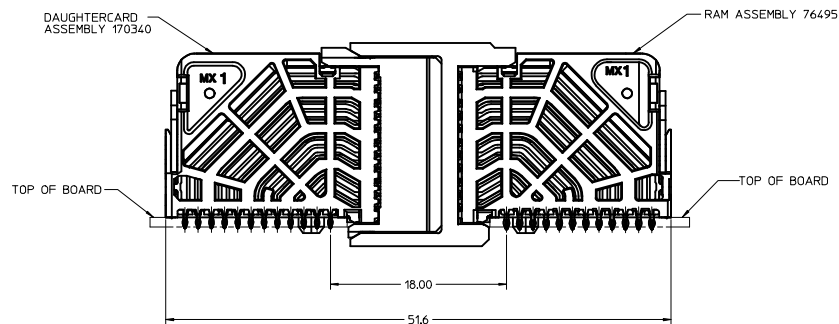
<b>ADD LASER MARK INFO</b> EC NO: UCP2016-3973 DRAWN BY: DRW:DVARVARA CHKD:TELO APPR:TELO DATE: 2016/02/22 DATE: 2016/04/20	<b>QUALITY SYMBOLS</b> ∇=0 ∇=0 ∇=0	<b>GENERAL TOLERANCES (UNLESS SPECIFIED)</b>		<b>DIMENSION STYLE</b> MM ONLY	<b>SCALE</b> 4:1	<b>DESIGN UNITS</b> METRIC	THIRD ANGLE PROJECTION
		4 PLACES ± mm ± INCH 3 PLACES ± --- ± --- 2 PLACES ± 0.13 ± --- 1 PLACE ± 0.25 ± --- ANGULAR ±1/2°	DRAWN BY: JL AURX DATE: 2010/11/16 CHECKED BY: TELO DATE: 2016/02/22 APPROVED BY: JJONI AK DATE: 2012/11/19	TITLE: <b>IMPACT 4 PAIR PLUS 850HM          RAM SIGNAL MODULE          GUIDE LEFT SALES DWG</b>	<b>MOLEX INCORPORATED</b>		
		DRAFT WHERE APPLICABLE MUST REMAIN WITHIN DIMENSIONS	MATERIAL NO: <b>SEE CHART</b>	DOCUMENT NO: <b>SD-76495-002</b>	SHEET NO: <b>1 OF 2</b>		
		THIS DRAWING CONTAINS INFORMATION THAT IS PROPRIETARY TO MOLEX INCORPORATED AND SHOULD NOT BE USED WITHOUT WRITTEN PERMISSION					



COPLANAR MATED SIGNAL PATHS



COPLANAR APPLICATION



<b>REMOVED PRE-MARK</b> IEC NO: UCP2016-3973 DRAWN: VAWARA 2015/07/29 CHKD: TELO 2016/02/22 APPR: TELO 2016/04/20 REV: A2	QUALITY SYMBOLS	GENERAL TOLERANCES (UNLESS SPECIFIED)	DIMENSION STYLE	SCALE	DESIGN UNITS	THIRD ANGLE PROJECTION	
	∇=0 ∇=0 ∇=0	4 PLACES ± --- ± --- 3 PLACES ± --- ± --- 2 PLACES ± 0.13 ± --- 1 PLACE ± 0.25 ± --- ANGULAR ± 1/2°	mm INCH	MM ONLY DATE DATE DATE	4:1	METRIC	TITLE DATE DATE DATE
	DRAFT WHERE APPLICABLE MUST REMAIN WITHIN DIMENSIONS	SEE CHART	MATERIAL NO. DATE	MOLEX INCORPORATED	DOCUMENT NO. DATE	SHEET NO. DATE	TITLE DATE DATE DATE
	THIS DRAWING CONTAINS INFORMATION THAT IS PROPRIETARY TO MOLEX INCORPORATED AND SHOULD NOT BE USED WITHOUT WRITTEN PERMISSION	SD-76495-002	2 OF 2	MOLEX INCORPORATED	MOLEX INCORPORATED	MOLEX INCORPORATED	MOLEX INCORPORATED