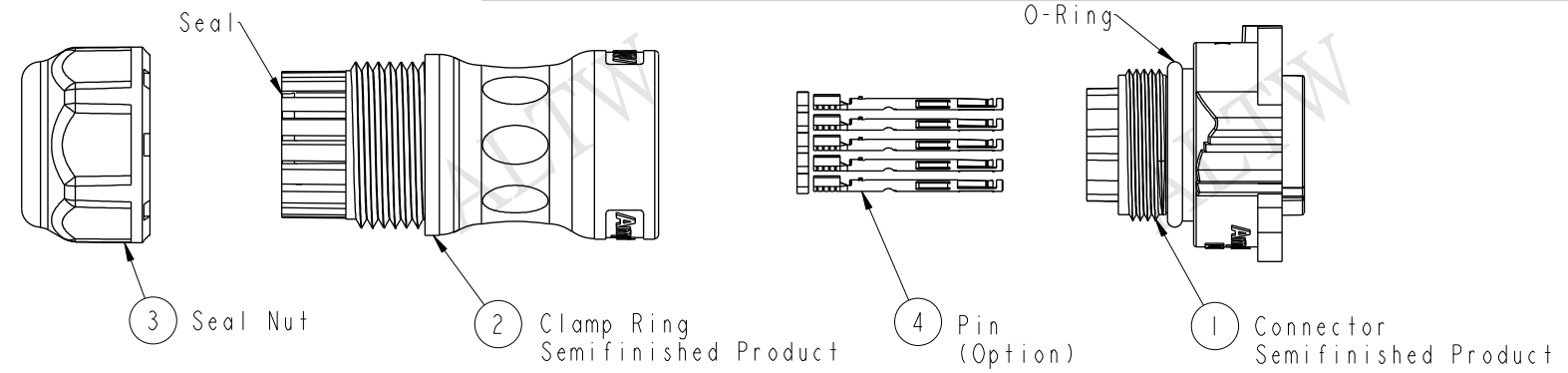


THIS DOCUMENT IS SUBJECT TO CHANGE WITHOUT NOTICE. IT IS CONFIDENTIAL AND A PROPERTY OF AMPHENOL LTW. DISCLOSURE TO THIRD PARTY HAS TO BE AUTHORIZED BY AMPHENOL LTW.

REV.	ECN NO.	DATE	SIGN	DESCRIPTION
A		2016/11/23	Victor Hung	Change Rev.01 To Rev.A



Material Specification:

- * Connector: Nylon+GF, Black.
- * Pins: Copper Alloy, Gold Plated.
- * Seal & O-Ring: Silicone, Gray.
- * UL Rated: UL 94V-0, fl.
- * RoHS Compliant.

Electrical Specification:

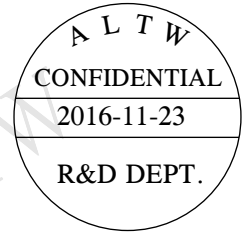
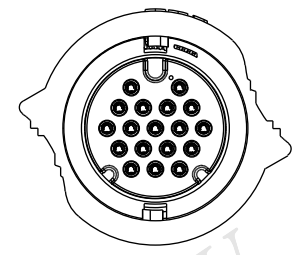
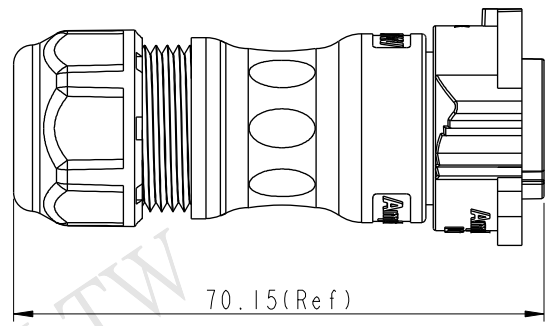
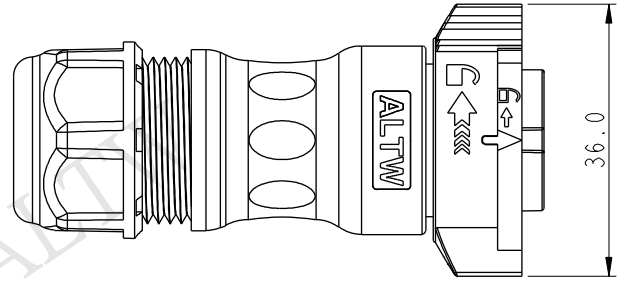
- * Contact Resistance: 10mΩ Max.
- * Insulation Resistance: 100MΩ Min.
- * Dielectric Withstand Voltage: 1,600 Vac.

Mechanical Specification:

- * Durability: 1000 Cycles.
- * Tensile strength: 10 kgf.
- * Wire Conductor:
 - 5A: 22AWG~20AWG
 - 20A: 14AWG~12AWG
- * Wire Insulation OD:
 - 5A: 1.9mm Max.
 - 20A: 4.3mm Max.
- * Torque Force for Clamp Ring: 6~8 kgf-cm
- * Torque Force for Seal Nut: 6~8 kgf-cm

Environmental Specification:

- * Waterproof Rating: IP68(Mated, 1M/24 Hours)
- * Temperature Range: -40°C to 105°C.
- * Salt Spray: Mated, 1000 Hours.
- * Safety Compliance: UL 1977.



UNIT:mm		
TOLERANCE		
±0.5 mm		

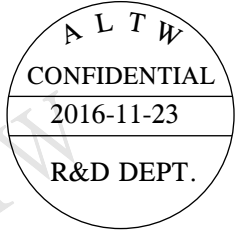
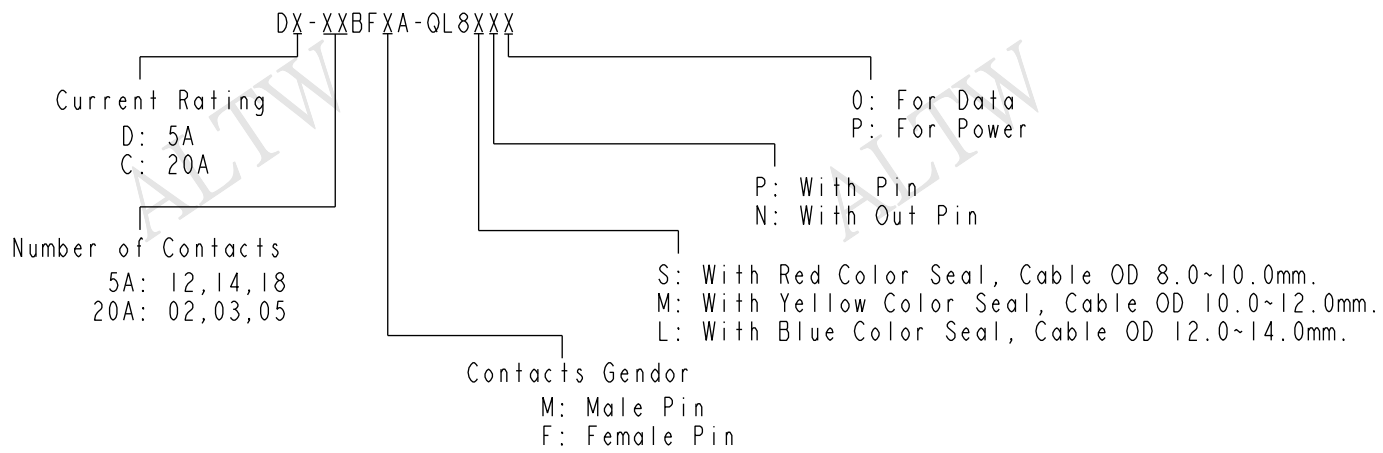
TITLE X-Lok D-Size Field Installable Cable Type F Conn			
SCALE 8:5	SIZE A4	SHEET 1 OF 2	
REV. A	WC-REV. A.3	QC: Inspection item	

Amphenol LTW
安費諾亮泰企業股份有限公司

ITEM NO	DRAWN BY Victor Hung	DATE 2016/11/23
DWG NO DX-XXBFXA-QL8XXX	CHECKED BY Wes Fan	DATE 2016/11/23
CUSTOMER ALTW	APPROVED BY Kevin Hu	DATE 2016/11/23

THIS DOCUMENT IS SUBJECT TO CHANGE WITHOUT NOTICE. IT IS CONFIDENTIAL AND A PROPERTY OF AMPHENOL LTW. DISCLOSURE TO THIRD PARTY HAS TO BE AUTHORIZED BY AMPHENOL LTW.

Ordering Information:



Mating Connector:
 Overmolded with Cable: DX-XXAMXM-QL8XXX
 Receptacle: DX-XXXMXS-QX8001
 Field Installable: DX-XXBMXA-QL8XXX

Tool Part No:
 ASST-C-XXA-W-X

Pin Assignments Front View	20A ; 300Vac/Vdc 2 Contacts(02)	20A ; 300Vac/Vdc 3 Contacts(03)	20A ; 300Vac/Vdc 5 Contacts(05)	5A ; 300Vac/Vdc 12 Contacts(12)	5A ; 300Vac/Vdc 14 Contacts(14)	5A ; 300Vac/Vdc 18 Contacts(18)
Male Pin						
Female Pin						

UNIT:mm 	TITLE X-Lok D-Size Field Installable Cable Type F Conn			<h1>Amphenol LTW</h1> <p>安費諾亮泰企業股份有限公司</p>	ITEM NO	DRAWN BY	DATE
	TOLERANCE ±0.5 mm				DWG NO DX-XXBFXA-QL8XXX	CHECKED BY	DATE
	SCALE 8:5	SIZE A4	SHEET 2 OF 2		CUSTOMER ALTW	APPROVED BY	DATE
REV. A	WC-REV. A.3	QC: Inspection item					