

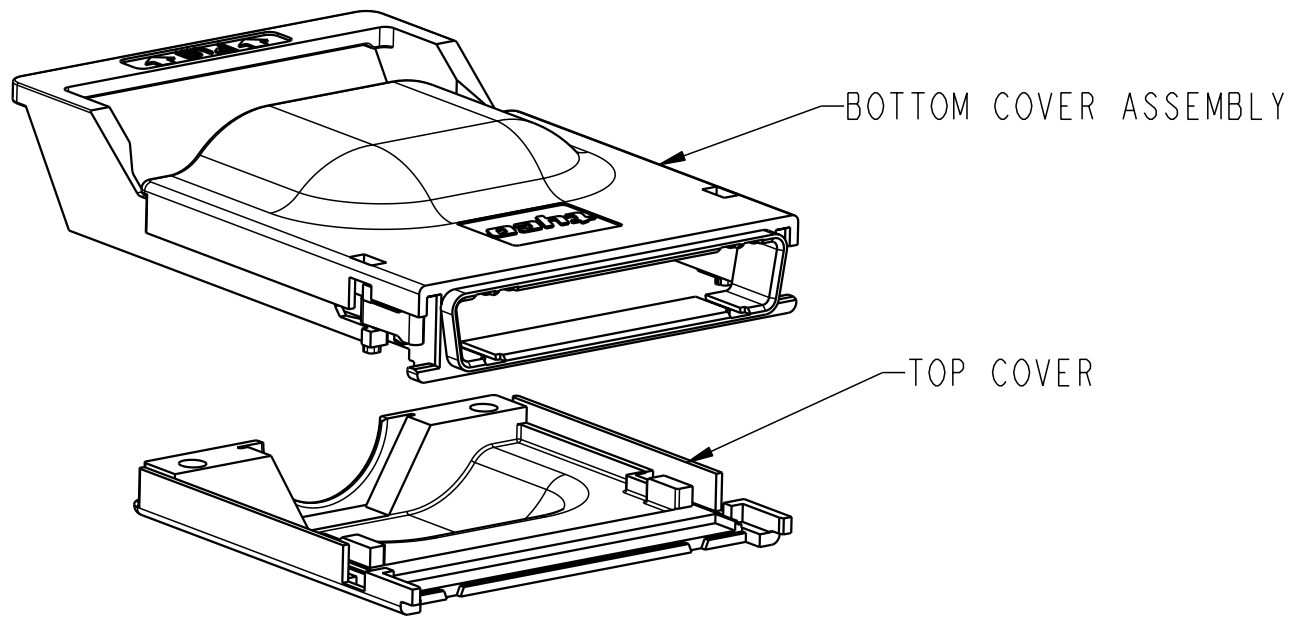
1

2

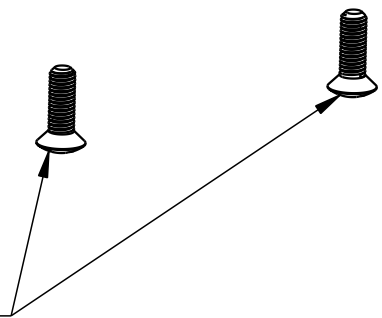
3

4

PRODUCT NUMBER  
10019365-001



Tous droits strictement reserves. Reproduction ou communication a des tiers interdite sous quelque forme que ce soit sans autorisation écrite du propriétaire. Propriete de c FCI. Droits de reproduction FCI.



M2.5 OVAL HEAD SCREWS

NOTES:  
 1. MATERIALS:  
 DIE CAST SHELLS: ZINC WITH Ni PLATING & COPPER UNDERPLATING.  
 PULL TAB: THERMOPLASTIC  
 LATCH: STAINLESS STEEL  
 SCREWS: STAINLESS STEEL (M2.5 x 0.45)

All rights strictly reserved. Reproduction or issue to third parties in any form whatever is not permitted without written authority from the proprietor. Property of FCI. Copyright FCI.

**CONFIDENTIAL**

	www.fciconnect.com		surface 3.2 ASME Y14.5	tolerance -	projection 	mm 
	Dr	G.PETERS	03/05/03	Product family EyeMax (TM)	size	A4
Eng	D.BRANN	03/05/03	Spec ref	-	Scale	13:10
Chr	G.PETERS	03/05/03	Material	SEE NOTES	ECN	V03-0251
Appr	D.BRANN	03/05/03				
title	12X COVER ASSY KIT			dwg no	10019365	
	For TYCO				Rev.	A
catalog no				CUSTOMER	sheet 1 of 1	

TOLERANCES UNLESS OTHERWISE SPECIFIED	rev		ecn no	dr	date
	A	V03-0251	GIP	03/05/03	
LINEAR	0.X	±.3	-	-	-
	0.XX	±.10	-	-	-
	0.XXX	±.050	-	-	-
ANGULAR	0°	±2°	-	-	-