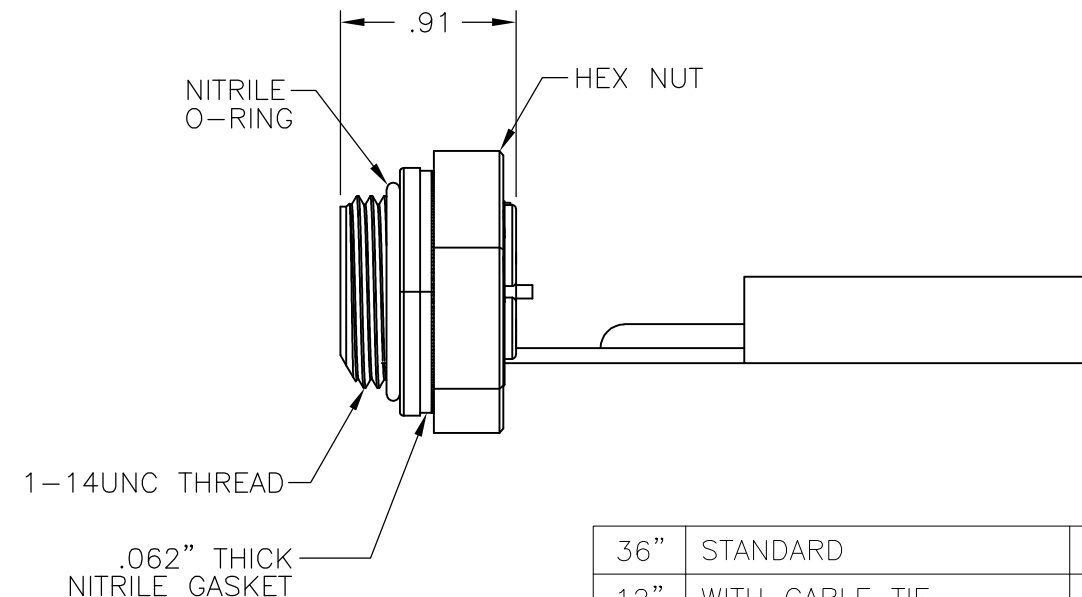
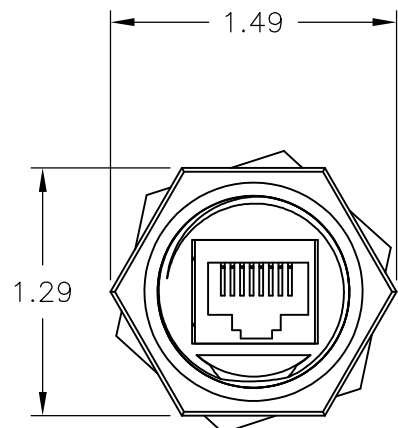
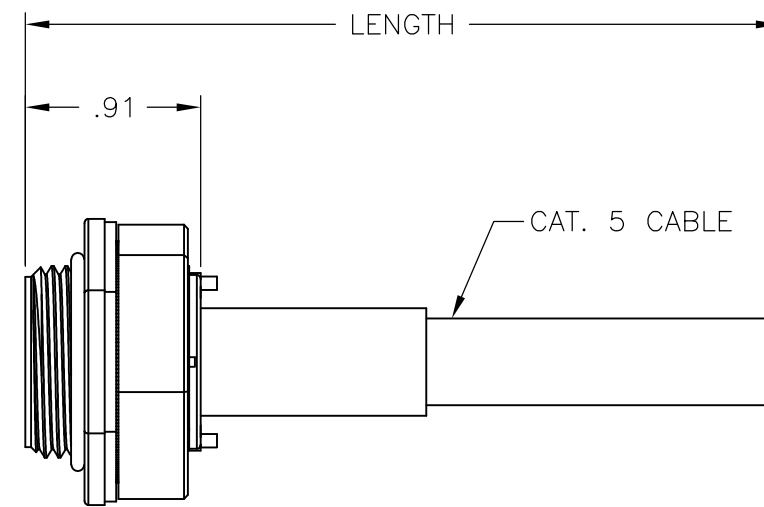
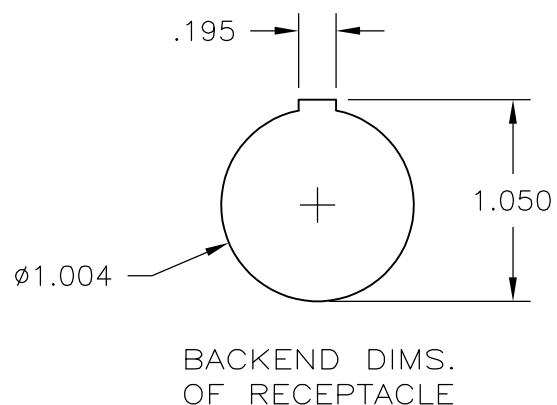
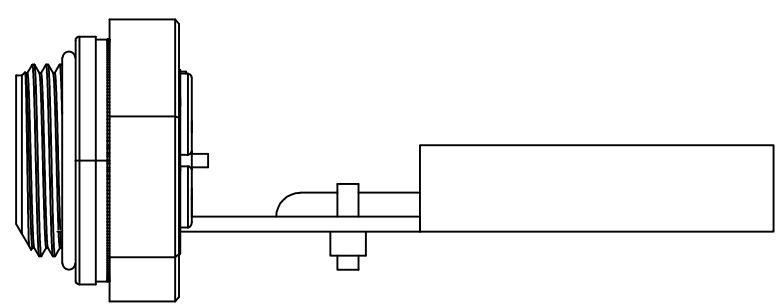
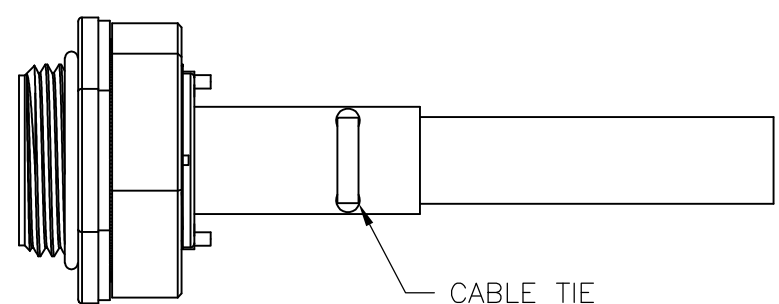


THIS DRAWING IS UNPUBLISHED. RELEASED FOR PUBLICATION  
 © COPYRIGHT BY TYCO ELECTRONICS CORPORATION. ALL RIGHTS RESERVED.

LOC	DIST	REVISIONS			
P	LTR	DESCRIPTION	DATE	DWN	APVD
FT	0	C1	REVISED PER ECR-10-016010	09AUG10	JR SM



	36"	STANDARD	1-1546410-3
	12"	WITH CABLE TIE	1-1546410-2
	12"	STANDARD	1-1546410-1
SUPERSEDED	12"	WITH CABLE TIE	1546410-2
SUPERSEDED	12"	STANDARD	1546410-1
	"L"	DESCRIPTION	PART NO.



-2 ONLY

THIS DRAWING IS A CONTROLLED DOCUMENT.		DWN S SCHLEGEL 09OCT2002	Tyco Electronics Corporation Harrisburg, PA 17105	
DIMENSIONS: INCHES		CHK H WAKEEM 10/9/02	NAME RECEPTACLE WITH PCB & 12 IN. OF CABLE (10 BASE-T)	
TOLERANCES UNLESS OTHERWISE SPECIFIED:		APVD H WAKEEM 10/9/02	PRODUCT SPEC -	
0 PLC ± -		APPLICATION SPEC -	WEIGHT -	
1 PLC ± -		SIZE A3	CAGE CODE 00779	DRAWING NO C-1546410
2 PLC ± .02		RESTRICTED TO -		
3 PLC ± .005		SCALE NTS		
4 PLC ± -		SHEET 1 OF 1		
ANGLES ± 2'		REV C1		
MATERIAL -		CUSTOMER DRAWING		
FINISH -				