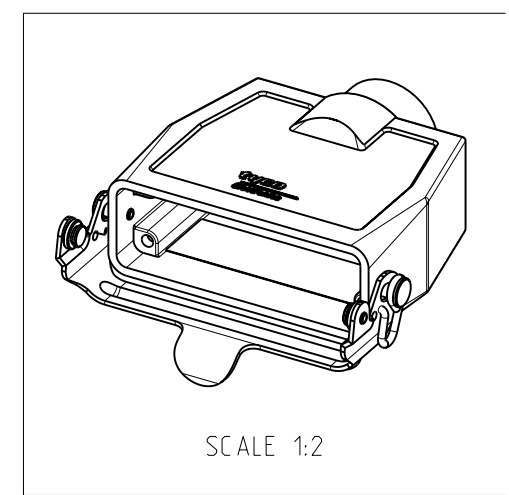
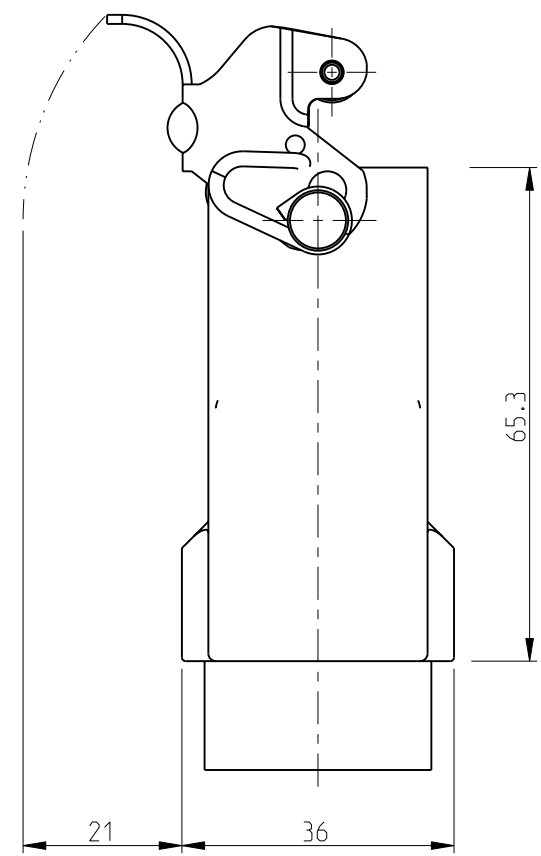
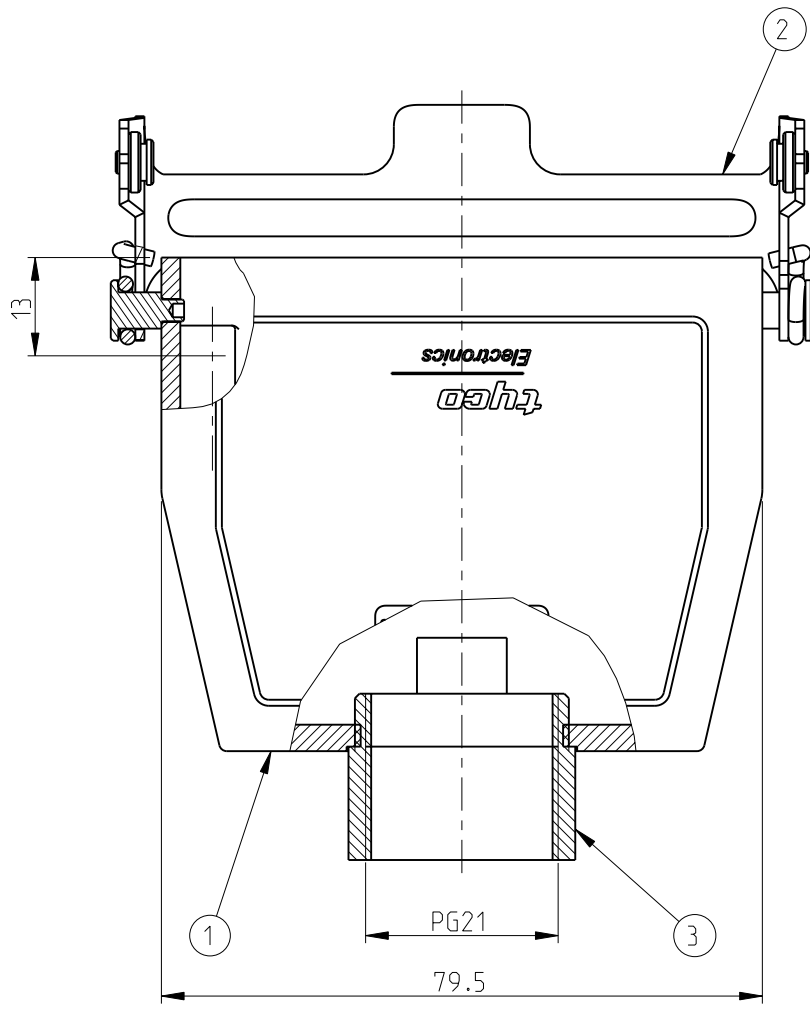


THIS DRAWING IS UNPUBLISHED. RELEASED FOR PUBLICATION 2000
 © COPYRIGHT 2000 BY TYCO ELECTRONICS CORPORATION. ALL RIGHTS RESERVED.

LOC	DIST	REVISIONS				
P	LTR	DESCRIPTION	DATE	DWN	APVD	
A1	-	B2	RELEASED AS PER ECR-09-005653	11.MAR.2009	GG	TS

- NOTES:
- ① MATERIAL: SEE TABLE
 - ② SURFACE: SEE TABLE
 - 3 VARNISH ON THE INSIDE NOT NECESSARY
 - 4 PACKAGING QUANTITY: 5 PIECES PER BOX



PN 1-2 AS SHOWN

1-2	DESCRIPTION	MATERIAL	SURFACE	COLOR	ITEM NO	REMARKS
1	ADAPTOR ROUND	BRASS	NICKEL PLATED	BLUE	3	Pg 21
1	CLIP	STEEL	ZINC PLATED	BLUE	2	
1	CABLE TO CABLE HOOD	ALUMINIUM		GREY RAL 7001	1	

ORDERING TEXT
 HD.25.KDO-LB.1.21.Z

<small>THIS DRAWING IS A CONTROLLED DOCUMENT FOR TYCO ELECTRONICS CORPORATION IT IS SUBJECT TO CHANGE AND THE CONTROLLING ENGINEERING ORGANIZATION SHOULD BE CONTACTED FOR THE LATEST REVISION.</small>		DWN S.KUMAR 4/27/2006 CHK P.BENNUR 4/27/2006 APVD T.SCHNURPFEL 4/27/2006		Tyco Electronics Tyco Electronics.AMP.GmbH 53757.SanktAugustin.Germany	
DIMENSIONS: mm 		TOLERANCES UNLESS OTHERWISE SPECIFIED: n.ISO 80: ± n.ISO 2768-mH-E: ± n.DIN 16901-120: ±		NAME CABLE TO CABLE HOOD HD.25.KDO-LB.1.21.Z	
MATERIAL ①		FINISH ②		PRODUCT SPEC - APPLICATION SPEC - WEIGHT -	
CUSTOMER DRAWING				SIZE A3 CAGE CODE 00779 DRAWING NO. C-1102560	RESTRICTED TO - SCALE 1:1 SHEET 1 OF 1 REV B2