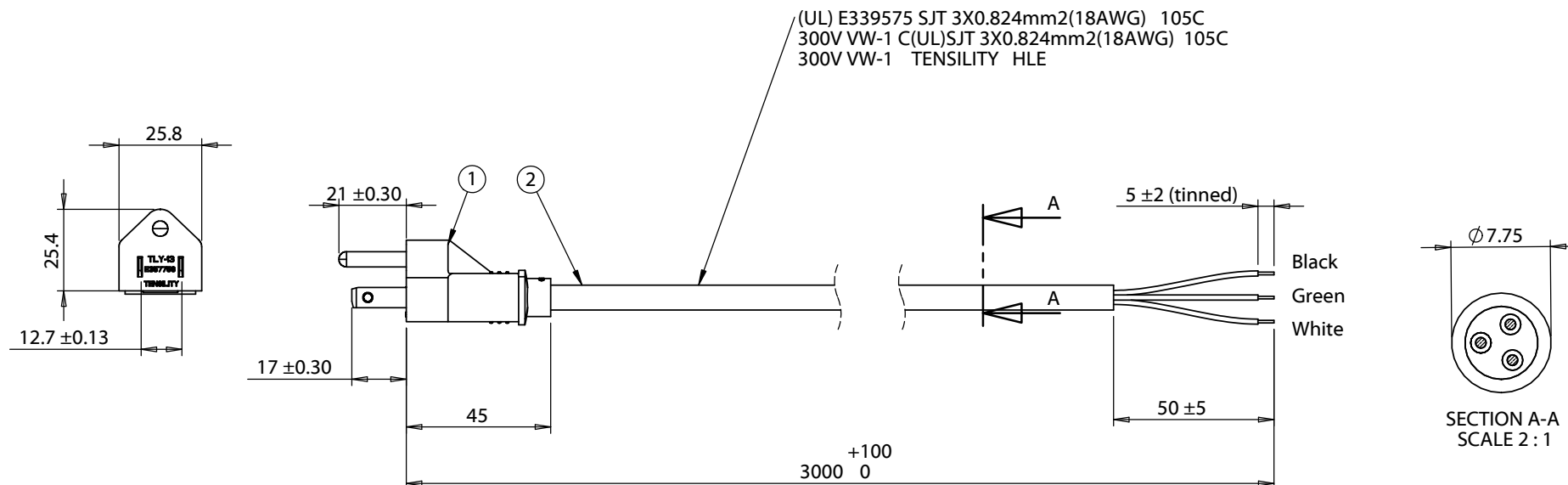


ITEM NO.	PART NUMBER	DESCRIPTION	QTY.	NOTES
1	TLY-13	NEMA 5-15P	1	black overmold
2	30-00248	Wire, 3C, 18 AWG, UL SJT, 300V, 105°C, 7.75 mm, VW-1, PVC	1	



Revision	Date	Description	Prepare by:	Notes:	<h1>TENSILITY</h1> <p>20802 Sockeye Place #130  Bend, OR 97701 USA  tel 541.323.3228 fax 541.323.4202  800 877.670.7118 www.tensility.com</p>		
A	8/27/2014	Initial release		Rated for 10 A at 125 Vac as is RoHS and REACH compliant Function test: no open, no reversed polarity, no short circuit, no INT			
			Verified by:		<b>SIZE</b> A	<b>Part number</b> <b>11-00082</b>	
			DIMENSIONS ARE IN MILLIMETERS TOLERANCES: X: ± 0.5 mm X.X: ± 0.3 mm X.XX: ± 0.05 mm	<b>Description:</b> Ac cord, 3000 mm, U.S, NEMA 5-15P plug, TLY-13 to tinned, 18 AWG, SJT wire, 30-00248	<b>SCALE:</b> 1:2	<b>WEIGHT:</b>	<b>SHEET 1 OF 1</b>