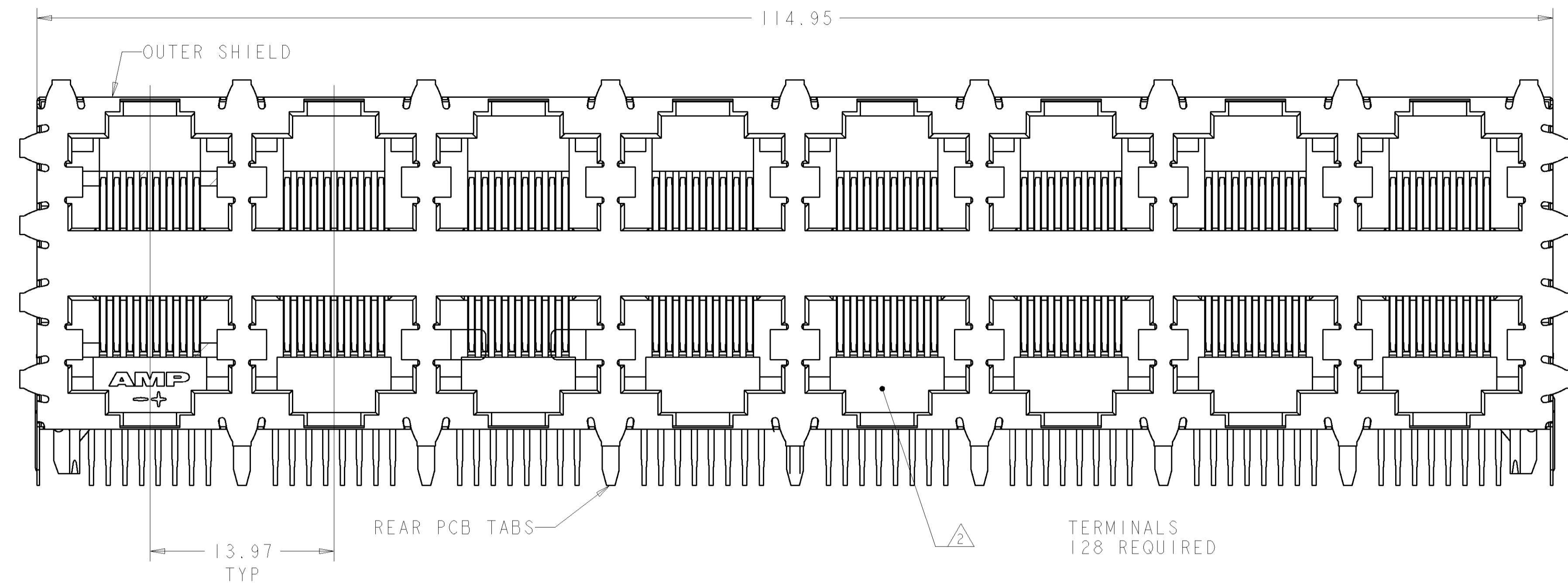
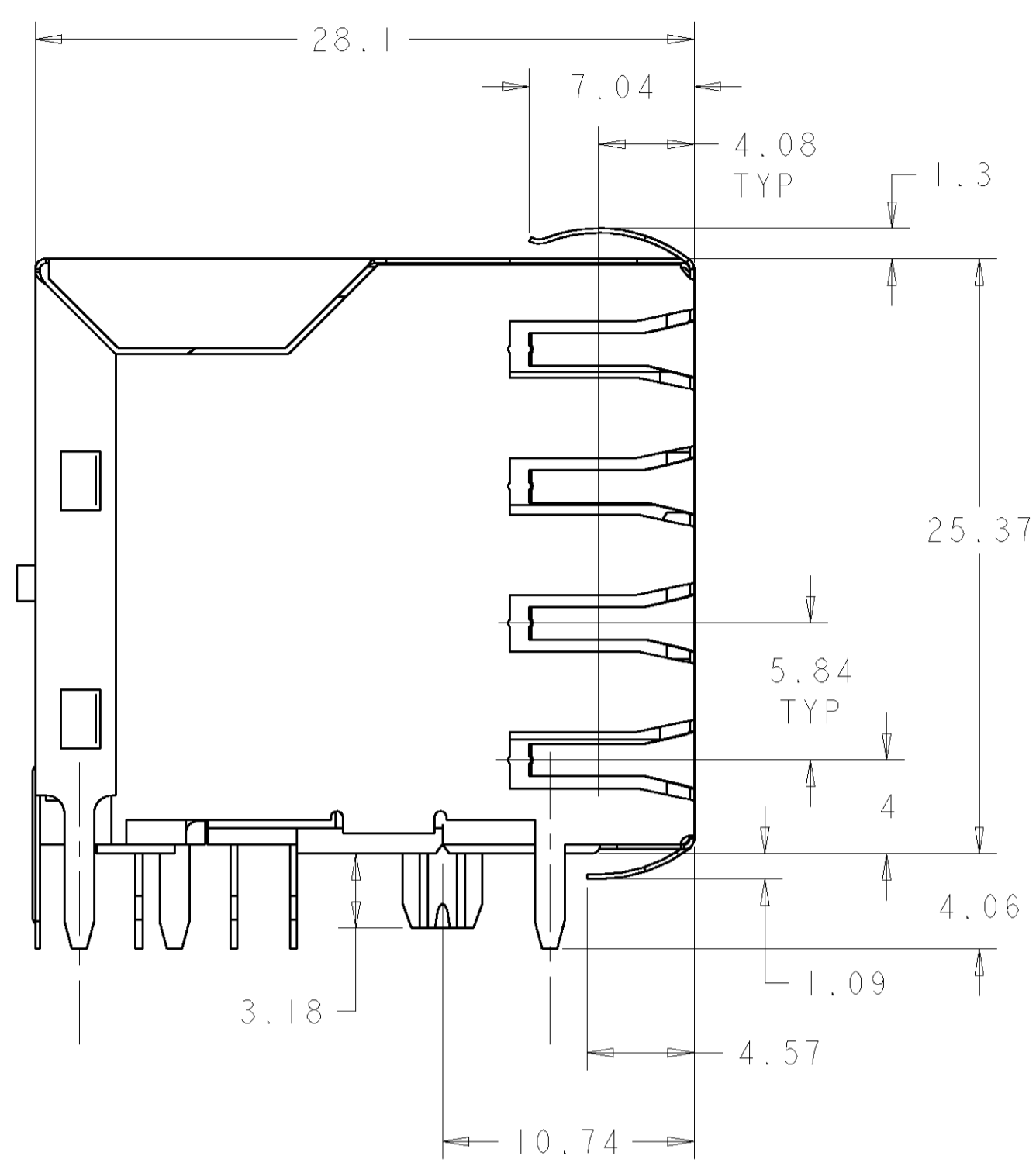
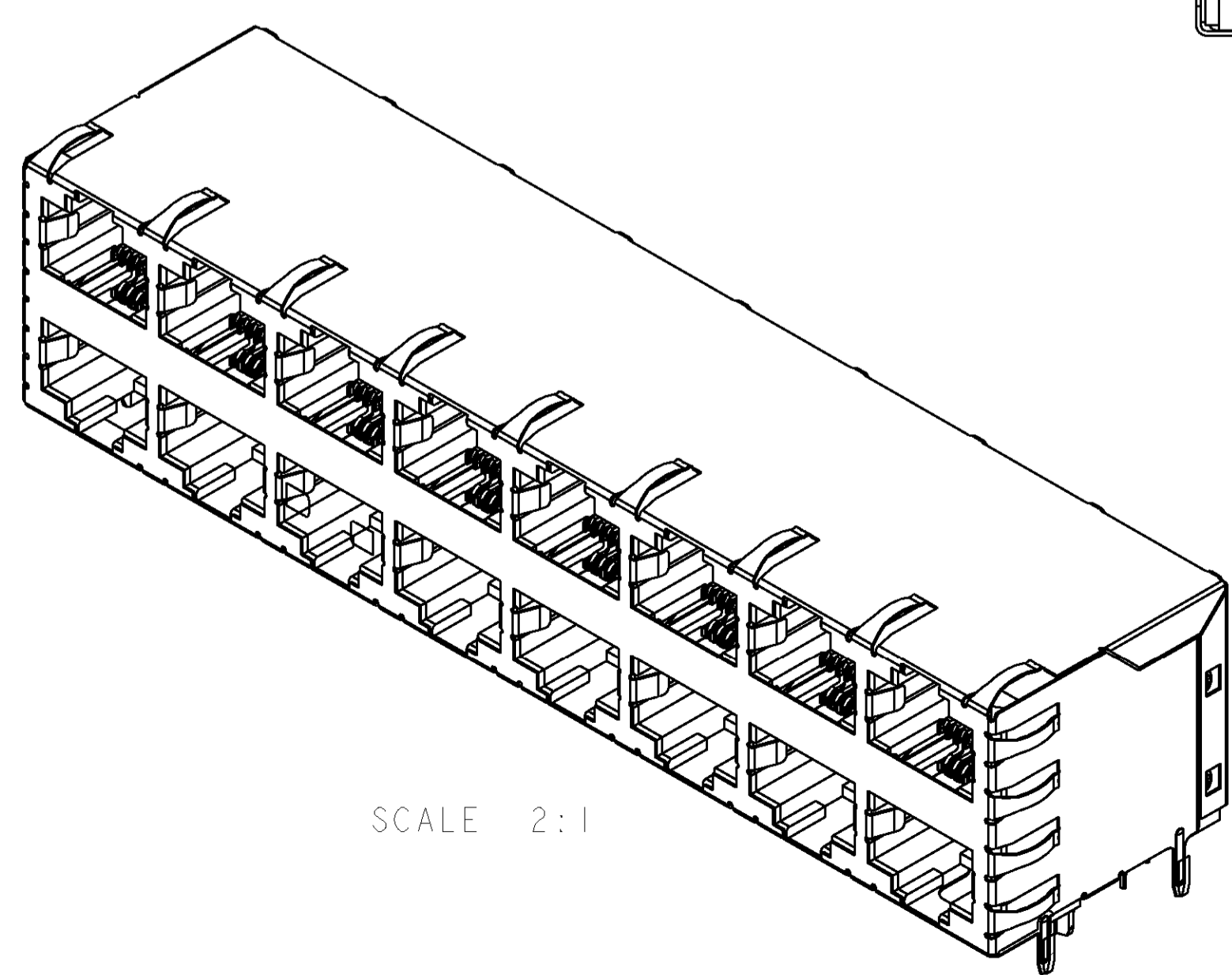
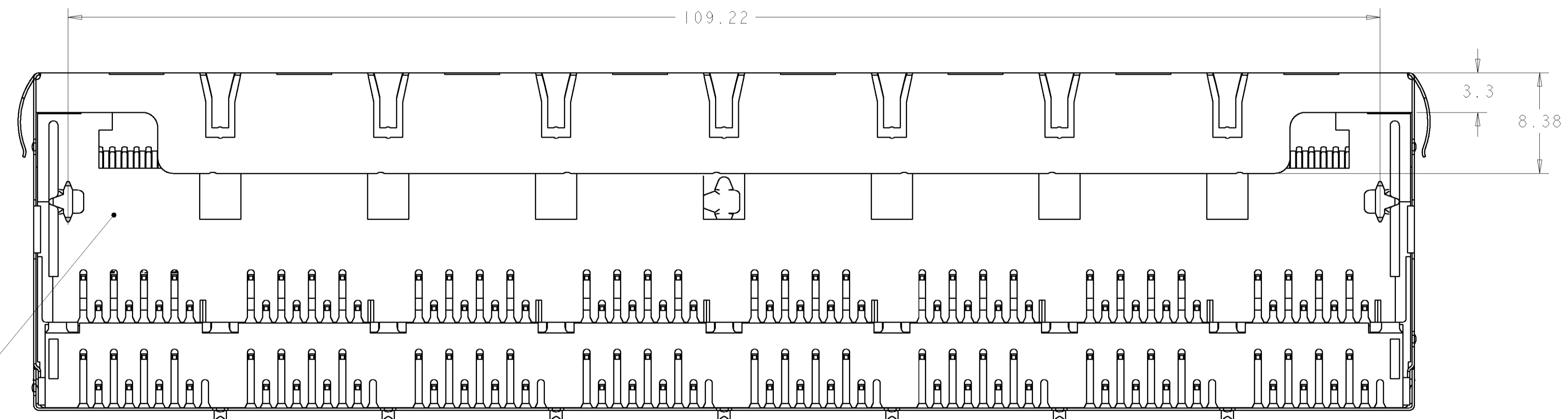


LOC	DIST	REVISIONS			
P	LTR	DESCRIPTION	DATE	DRN	APPD
A		REV PER ECOS11-0201-04	21JUN2005	GA	SF
B		REV PER ECO-07-004583	02MAR2007	RG	JW
B1		REVISED PER ECO-10-000445	11JAN10	KK	AEG



- △ HOUSING: PCT POLYESTER, BLACK, UL 94V-0. IR REFLOW PROCESS COMPATIBLE
- TERMINALS: 0.305 THICK PHOS BRONZE PLATED WITH 1.27µm MINIMUM THICK HARD GOLD IN LOCALIZED AREA AND 2.03µm MINIMUM THICK MATTE TIN IN SOLDER AREA OVER 1.27µm MINIMUM THICK NICKEL UNDERPLATE.
- SHIELD: 0.196 THICK COPPER ALLOY PLATED WITH 1.27µm MINIMUM NICKEL AND 2.03µm MINIMUM HOT TIN DIP ON PCB GROUND TABS.
- △ JACK CAVITY CONFORMS TO FCC RULES AND REGULATIONS, PART 68 SUBPART F
- △ PCB HOLES ONLY REQUIRED FOR 6339170-1
- △ USE #30 DRILL BIT OR 3.25mm DRILL BIT WHEN PRODUCING THESE PCB HOLES
- 5. RECOMMENDED APPLICATIONS: FAST ETHERNET, AND 10/100 BASE-T ETHERNET (CAT 5 TWO PAIR 1/2, 3/6)
- △ OBSOLETE PARTS: OBSOLETE CIS STREAMLINING PER D.RENAUD/D.SINISI

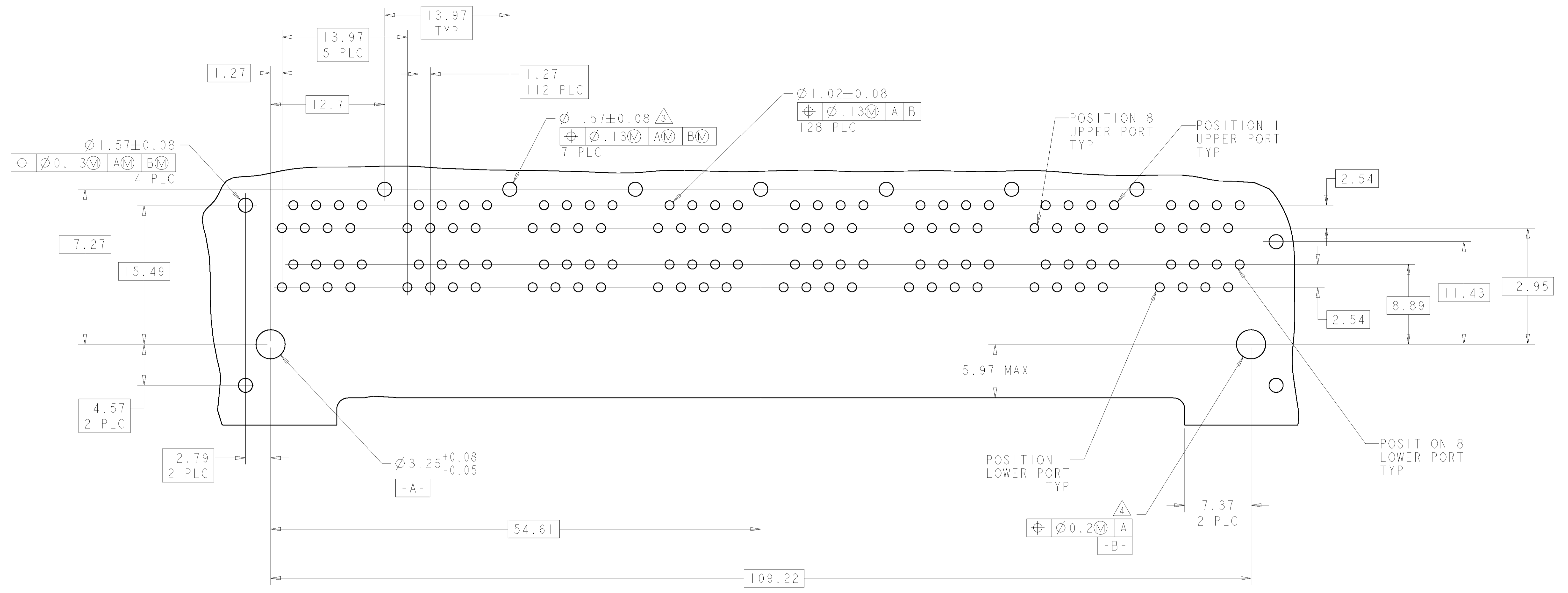


6	OBSOLETE	NONE	6339170-2
		7	6339170-1
		NUMBER OF REAR PCB TABS	PART NO.

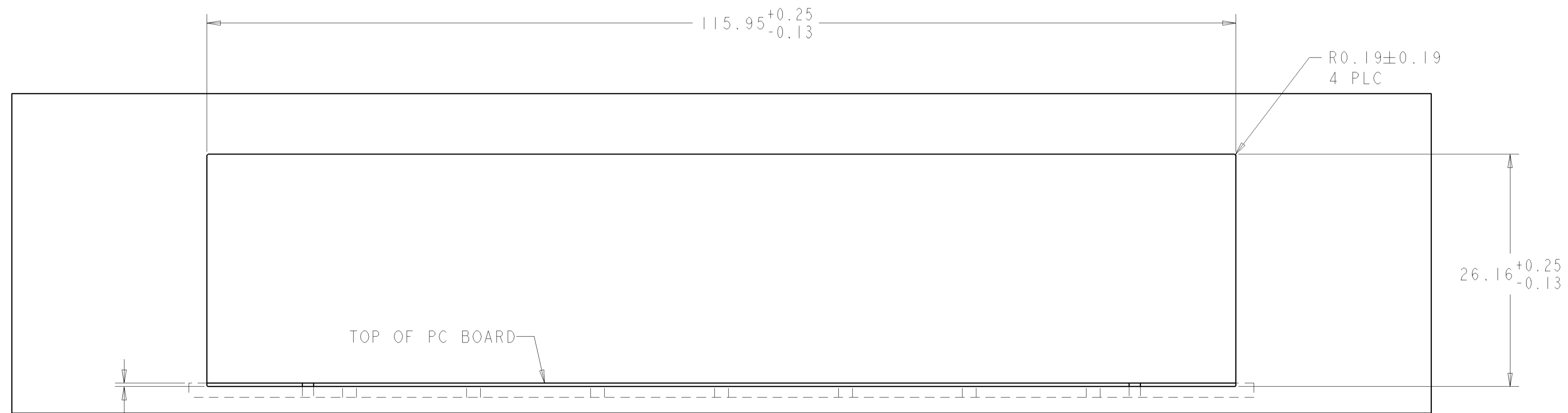
DIMENSIONS: mm TOLERANCES UNLESS OTHERWISE SPECIFIED: 0 PLC ±.25 1 PLC ±.25 2 PLC ±.25 3 PLC ±.25 4 PLC ±.25 ANGLES ±.5		DWN G. ATTADIA 21JUN2005 ENR J. WESTMAN 21JUN2005 APPD S. FLICKINGER 21JUN2005 PRODUCT SPEC 108-1163-9 APPLICATION SPEC 114-2048 WEIGHT - CUSTOMER DRAWING	NAME ASSEMBLY, STACKED JACK, 2X8, 8 POSITION, SHIELDED, WAVE PANEL GROUND SIZE CAGE CODE DRAWING NO. A100779C=6339170 RESTRICTED TO - SCALE 4:1 SHEET 1 OF 2 REV B1
MATERIAL △ FINISH △		tycO AMP Incorporated Harrisburg, PA 17105-3608	

LOC	DIST	REV	DATE	BY	APPD
AA	22				

REVISIONS		DATE	BY	APPD
-	SEE SHEET 1	-	-	-



PC BOARD LAYOUT VIEWED FROM COMPONENT SIDE OF BOARD
 SCALE 4:1



SUGGESTED PANEL CUTOUT DIMENSIONS
 SCALE 3:1

<small>THIS DRAWING IS UNPUBLISHED. RELEASED FOR PUBLICATION BY TYCO ELECTRONICS CORPORATION. ALL RIGHTS RESERVED.</small>		DWN: 21 JUN 2005 LG: ATTAD1A - DOCK 5 ENR: J. WESTMAN APPD: S. FLICKINGER	AMP Incorporated Harrisburg, PA 17105-3608
DIMENSIONS: mm:	TOLERANCES UNLESS OTHERWISE SPECIFIED: 0 PLC ±.25 1 PLC ±.25 2 PLC ±.25 3 PLC ±.25 4 PLC ±.25 ANGLES ±.5	NAME: ASSEMBLY, STACKED JACK, 2X8, 8 POSITION, SHIELDED, WAVE PANEL GROUND	RESTRICTED TO: -
MATERIAL:	FINISH:	SIZE: A 00779 C=6339170 WEIGHT: - CUSTOMER DRAWING	SCALE: 4:1 SHEET 2 OF 2 REV B1