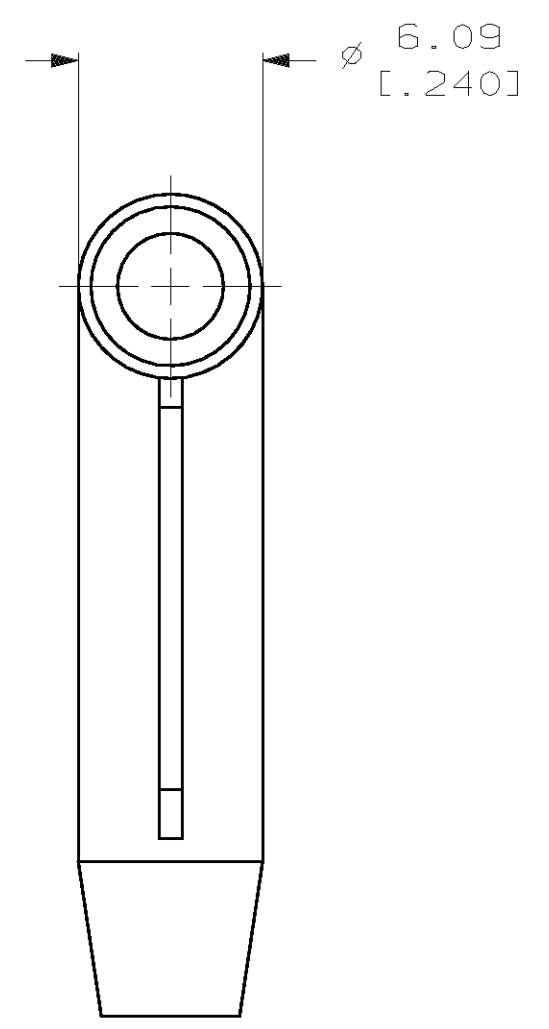
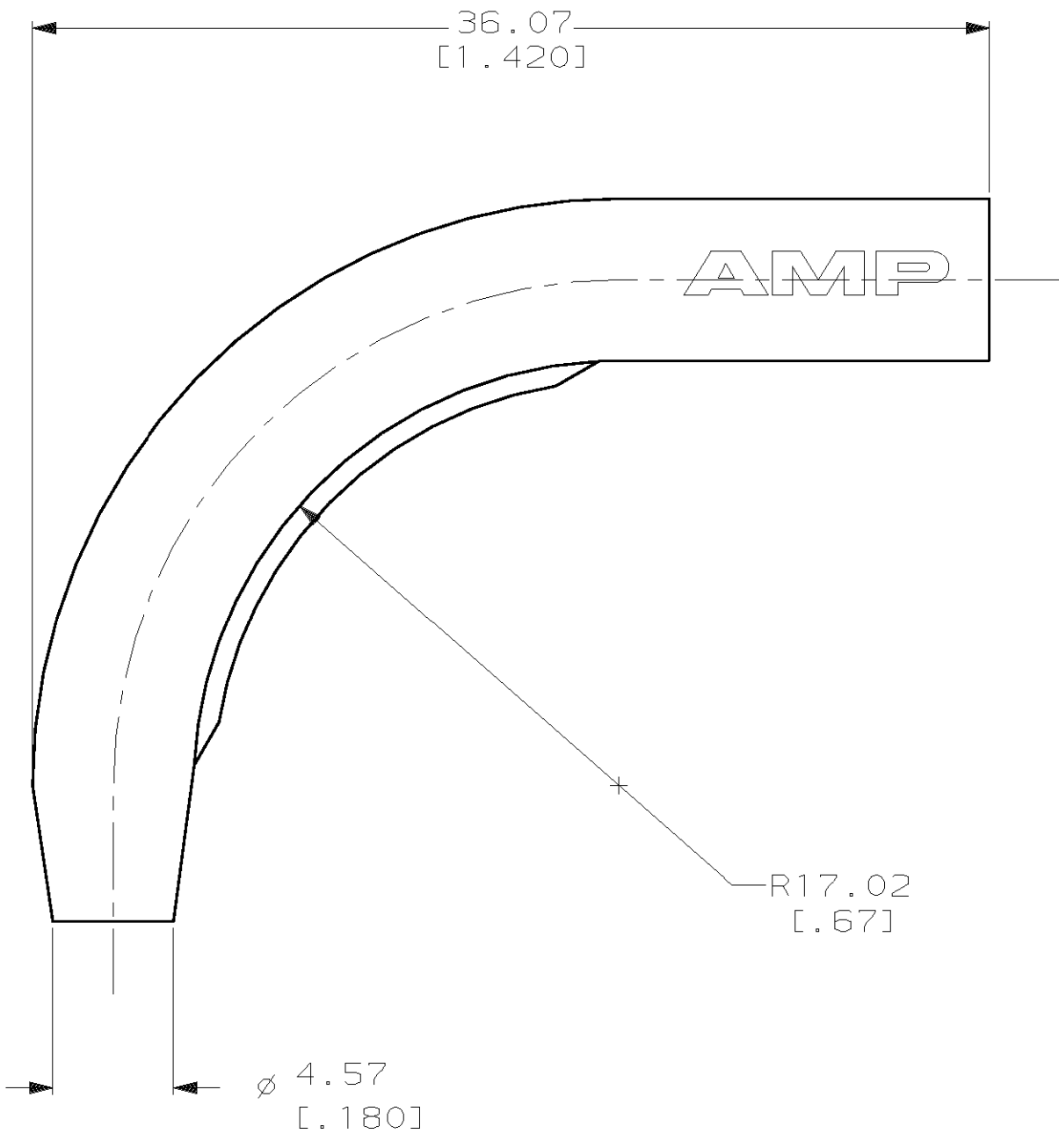


LOC	DIST	P	F	ZONE	LTR	DESCRIPTION	DATE	APPD
CE	16				E	REVISED PER 0A00-0546-00	19JUL00	TA/5B

△ BULK PACKAGED



△	COLOR	PART NO
△	WHITE	1-502667-4
△	GREEN	1-502667-2
△	YELLOW	1-502667-0
△	RED	502667-9
△	BEIGE	502667-8
△	BLUE	502667-7
△	BLACK	502667-6

DO NOT SCALE PRINT. UNLESS SPECIFIED DIMENSIONS IN mm [INCHES] TOLERANCES ON : 2 PLC DEC ± - 3 PLC DEC ± - ANGLES ± -		DR 3-16-92 L. COLLINS	AMP Incorporated Harrisburg, PA 17105-3608	
MATERIAL THERMOPLASTIC ELASTOMER		CHK 3-16-92 R. HILEMAN		
FINISH -		APPD 3-16-92 F. ANTONICELLI	NAME STRAIN RELIEF, RIGHT ANGLE, 2.5mm BAYONET, OPTIMATE®	
		APPD 3-16-92 S. OWENS	SIZE C 00779	DRAWING NO 502667
		PRODUCT SPEC -	SCALE 4:1	SHEET 1 OF 1
		APPLICATION SPEC -		
		WEIGHT -		