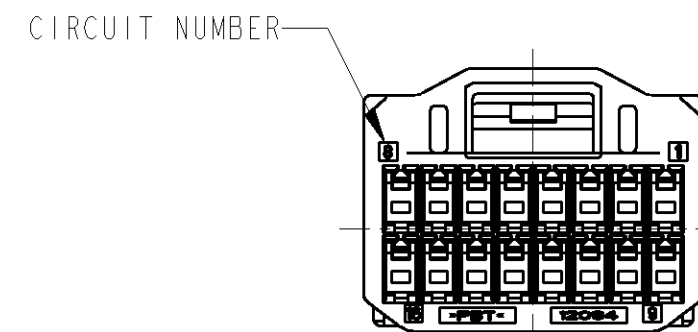
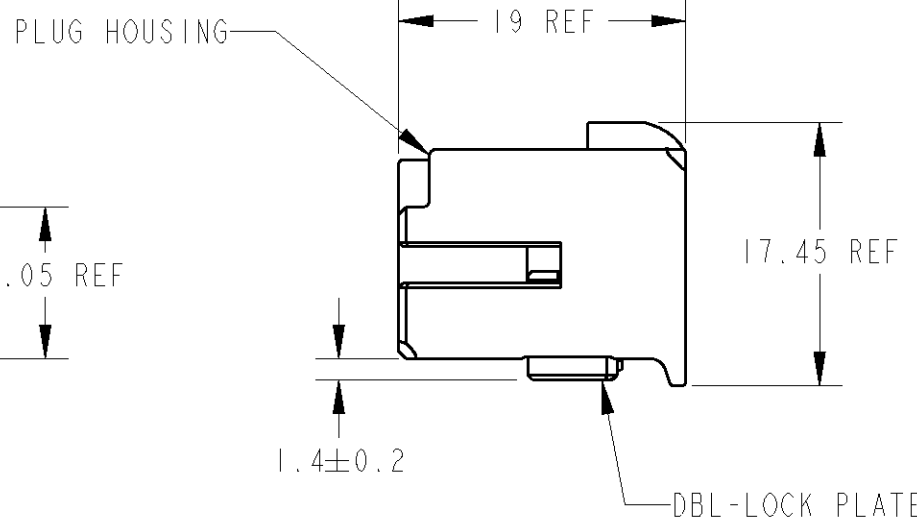
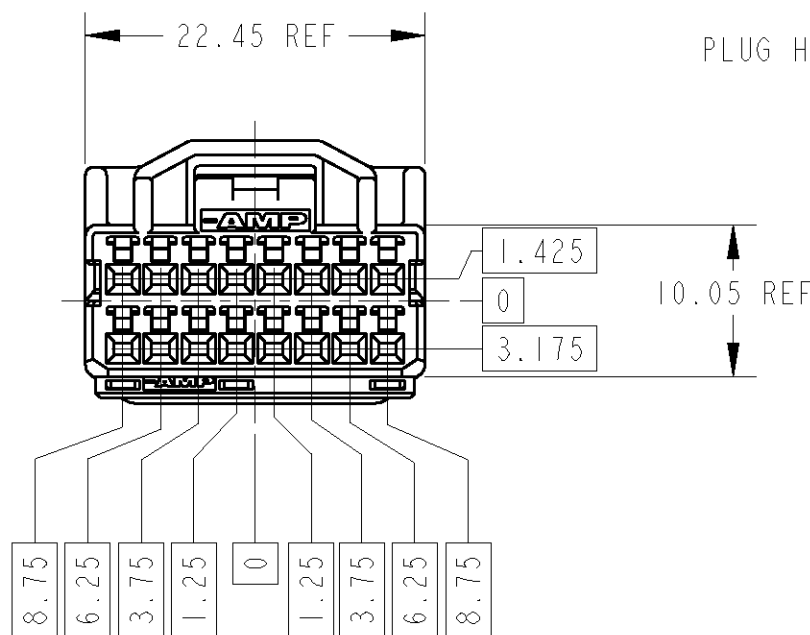
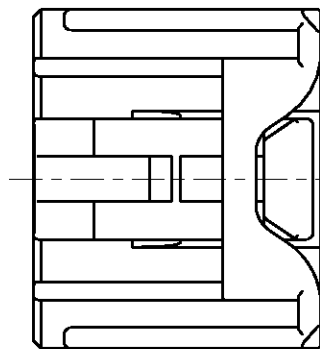


THIS DRAWING IS UNPUBLISHED. RELEASED FOR PUBLICATION 19
 © COPYRIGHT 19 BY TYCO ELECTRONICS CORPORATION. ALL RIGHTS RESERVED.

LOC	DIST	REVISIONS						
		P	LTR	DESCRIPTION	ECN	DATE	DWN	APVD
J			0	RELEASED	FJ00-1111-99	25JUN99	R.K	N.S
			A	REVISED	FJ00-0010-00	05JAN00	R.K	N.S
			B	REVISED	ECR-05-001029	28MAR05	R.K	K.S



1. プラグハウジングにダブルロックプレートを仮止して出荷される
2. 仮係止時プレート突起がハウジングの外側に出ていること
3. プレートの仮係止保持力は、30N MIN
4. 取り扱い説明書NO.: 411-5763
5. 嵌合相手ハウジング型番: 1318219

1. PLATE SHOULD BE SET TO THE PRE-ASSEMBLY POSITION WITHIN THE PLUG HOUSING WHEN SHIPPED TO THE CUSTOMER.
2. THE RETENTION LATCH OF THE PLATE MUST BE OUT SIDE OF PLUG HOUSING WHEN PRE-ASSEMBLY.
3. PLATE RETENTION FORCE FROM HOUSING; 30N MIN.
4. INSTRUCTION SHEET No.: 411-5763
5. PART NUMBER OF CAP HOUSING TO BE MATED: 1318219

<small>THIS DRAWING IS A CONTROLLED DOCUMENT FOR TYCO ELECTRONICS CORPORATION IT IS SUBJECT TO CHANGE AND THE CONTROLLING ENGINEERING ORGANIZATION SHOULD BE CONTACTED FOR THE LATEST REVISION.</small>		DWN R. KOMIYAMA 25JUN99 CHK S. SHINDO 25JUN99 APVD N. SAI 25JUN99		tyco Tyco Electronics AMP K.K. Electronics Kawasaki, Japan	
DIMENSIONS: 単位: 概 mm 		TOLERANCES UNLESS OTHERWISE SPECIFIED: 一般公差 = ± 0.3 0-PLC ± 1-PLC ±0.5 2-PLC ±0.13 3-PLC ±0.013 4-PLC ±0.000J ANGLES ±3'00"		PRODUCT SPEC 108-5529 APPLICATION SPEC 114-5217 WEIGHT 3.8 g	
MATERIAL 材料 PBT FINISH 仕上 SEE TABLE		SIZE A3 CAGE CODE 00779 DRAWING NO. 1318221		NAME 名称 040 111 SERIES CONNECTOR 16P PLUG ASS'Y RESTRICTED TO	
CUSTOMER DRAWING				SCALE 2:1 SHEET 1 OF 1 REV B	