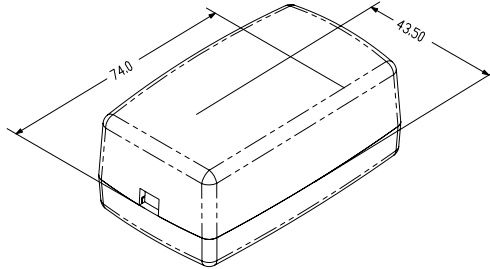
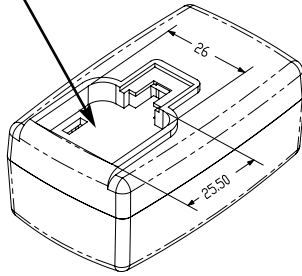


PROPRIETARY INFORMATION: PROPRIETARY OF GLOBTEK, INC. ANY REPRODUCTION, DISCLOSURE OR USE OF THIS DRAWING, IN WHOLE OR IN PART, IS HEREBY PROHIBITED EXCEPT AS SPECIFIED IN WRITING BY GLOBTEK, INC.	REVISION			
	REV	DESCRIPTION	DATE	APPROVED
	A	INITIAL RELEASE, RFS.6149, DMR	05/04/05	DMR
	B	ADD PACKING DETAIL, CH. ROHS, RFS. 12509, JS	11/26/07	HM
	C	REVISE DISCRIPTION, I/P CONNECTOR, RFS. 18371, SO	03/30/10	HM
D	REVISE CHINA P/N TO GB-2099, RFS. 20815, SO	04/26/11	HM	



STANDARD OPTION SHIPS WITHOUT AC PINS INSTALLED

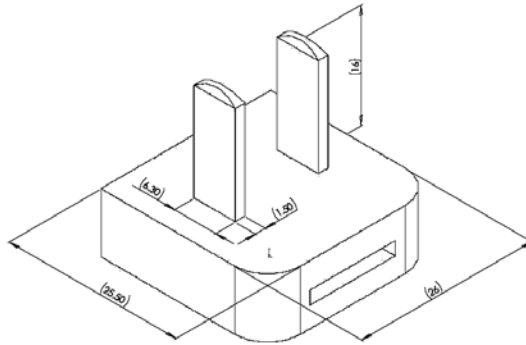


1. MATERIAL

HIGH IMPACT PLASTIC, 94V0 POLYCARBONATE, NON-VENTED, COLOR BLACK

2. INPUT CONNECTOR:

CHINA GB-2099 CONFIGURATION, 2 BLADES CLASS II

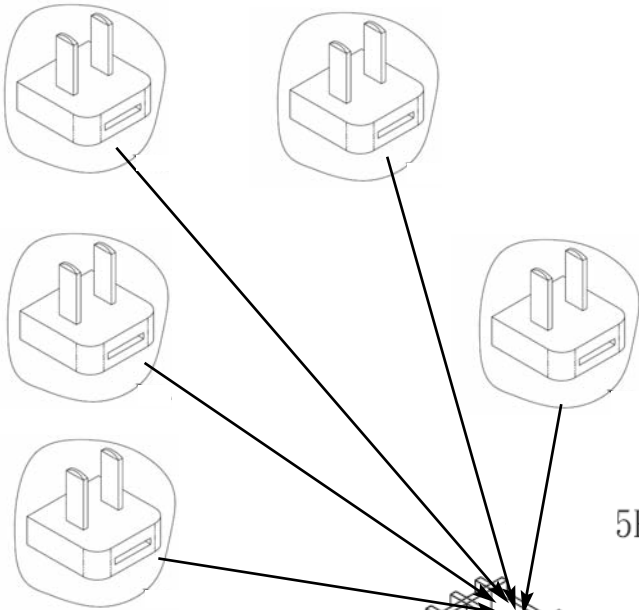


P/N: Q-CN(R)
CHINA

Foot Note: Globtek Inc. will not be liable for the safety and performance of these power supplies if unauthorized access and repair occurs. End user should consult applicable UL, CSA or EN standards for proper installation instructions.	DASH NO.	PART NO	REV.	DESCRIPTION	NOTES	
	TABULATION BLOCK					
			TOLERANCES: DECIMALS ANGULAR .xx +/- 0.1 +/- 1' .xxx +/- .005		186 Veterans Dr. Northvale, NJ 07647 Tel. 201-784-1000 Fax 201.784.0111 www.globtek.com	
			MILLIMETERS ANGULAR .xx +/- 0.3 +/- 1' .xxx +/- .013			
Limitation of Use: Globtek product are not authorized for use as mission critical components in life support, hazardous environment, nuclear or aircraft applications without prior written approval from the CEO of Globtek Inc.	INIT.BY: DMR	DATE: 05/0405	FSCN No.: G, N	SIZE A	DWG TITLE: CHINA INTERCHANGEABLE BLADES	
	DRAWN: NF	DATE: 05/0405	SCALE: NONE	MODEL NO: N/A	REV. D	
	APRVD : DMR	DATE: 05/0405		PART NO: Q-CN(R)	SHEET 1 OF 2	

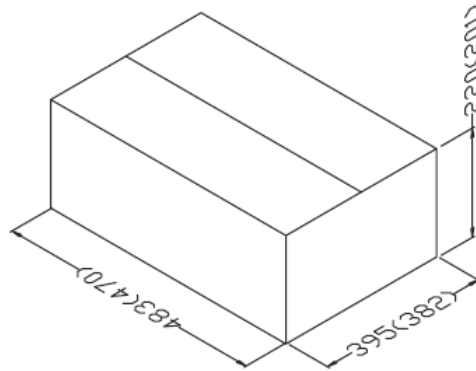
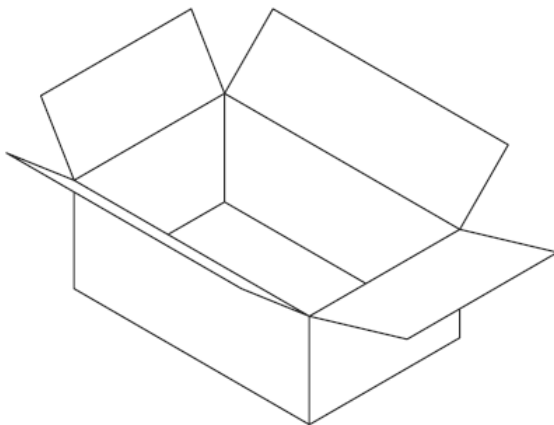
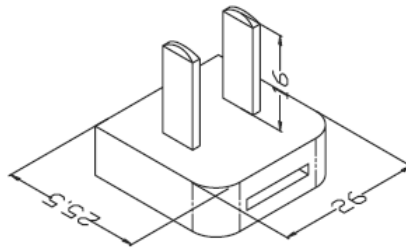
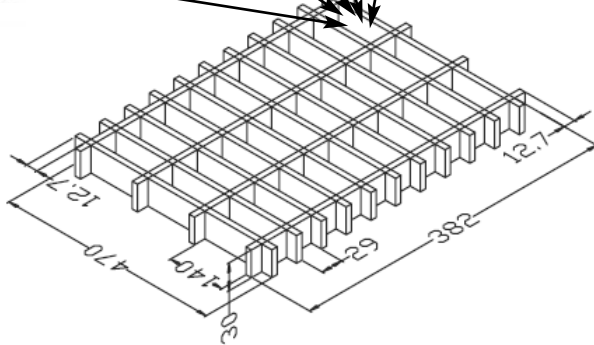
PROPRIETARY INFORMATION:
 PROPRIETARY OF GLOBTEK, INC. ANY REPRODUCTION, DISCLOSURE OR
 USE OF THIS DRAWING, IN WHOLE OR IN PART, IS HEREBY
 PROHIBITED EXCEPT AS SPECIFIED IN WRITING BY GLOBTEK, INC.


3. PACKING



CARTON SIZE: 483 x 395 x 220
 Q'TY: 900 pcs (150 x 6)

PE BAG(SIZE: 70X120)
 5PCS



	186 Veterans Dr. Northvale, NJ 07647 Tel. 201-784-1000 Fax 201.784.0111	
	www.globtek.com	
DWG TITLE: CHINA INTERCHANGEABLE BLADES		
MODEL NO: N/A	REV. D	
PART NO: Q-CN(R)	SHEET 2 OF 2	