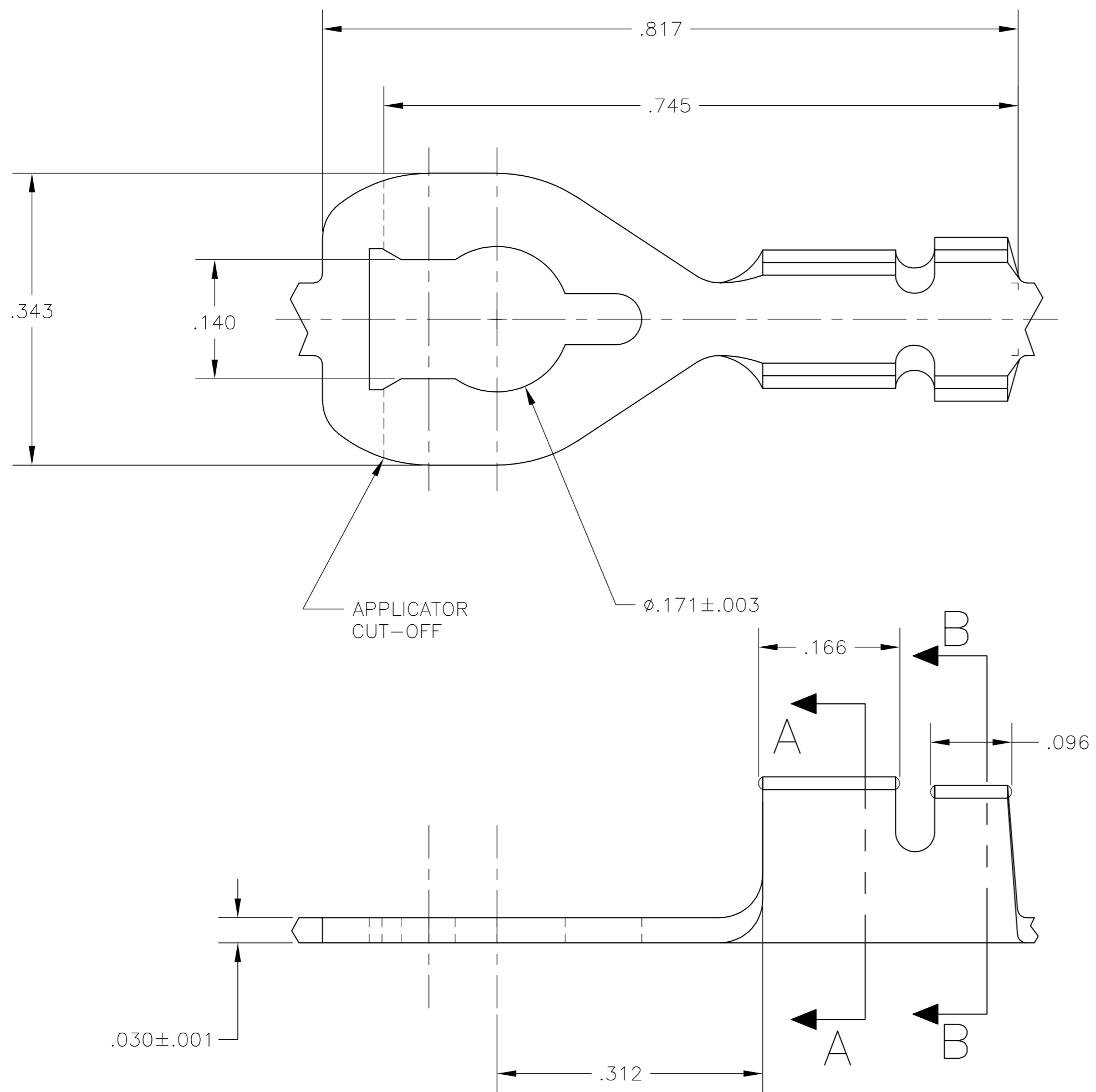
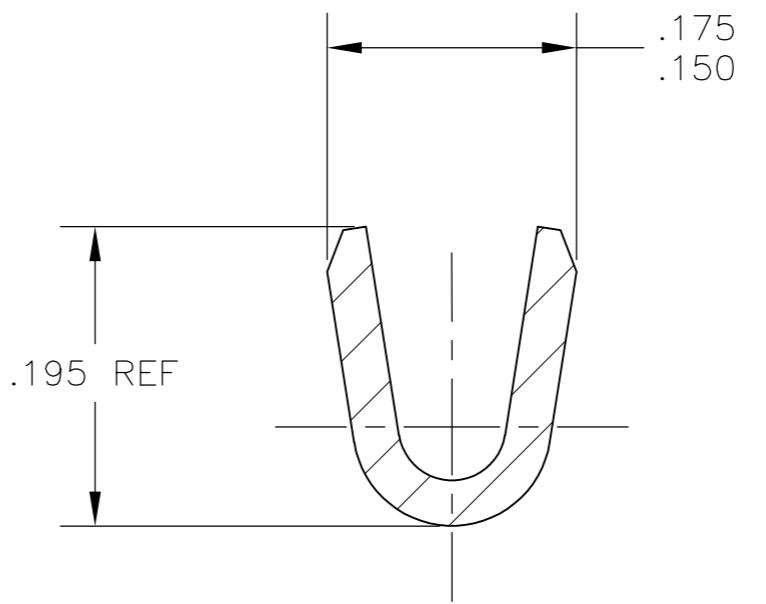


THIS DRAWING IS UNPUBLISHED. RELEASED FOR PUBLICATION
 © COPYRIGHT 1964 BY TYCO ELECTRONICS CORPORATION. ALL RIGHTS RESERVED.

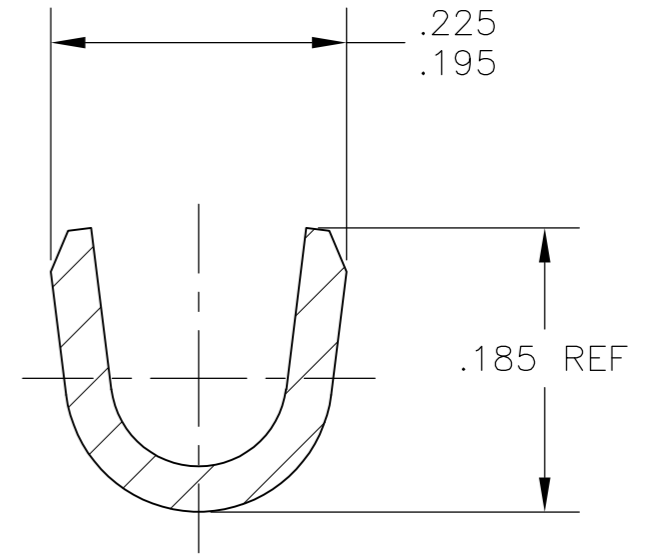
LOC	DIST	REVISIONS			
P	LTR	DESCRIPTION	DATE	DWN	APVD
AF	50	S	REVISED PER ECR-10-006099	07JUL10	HMR PD



1. CONTINUOUS STRIP ON REELS.
2. WIRE RANGE: #18-#14 AWG.
3. INSULATION RANGE: .100-.140 DIA.
- △ 4 FOREIGN PRODUCTION ONLY.
- △ 5 OBSOLETE PARTS: OBSOLETE CIS STREAMLINING PER D.RENAUD/D.SINISI



SECTION A-A



SECTION B-B

FINISH	MATERIAL	PART NUMBER
OBSOLETE	TIN	H03 PHOSPHOR BRONZE
	TIN	H03 BRASS
△ 5 OBSOLETE	-	H03 BRASS
		△ 4

THIS DRAWING IS A CONTROLLED DOCUMENT.		DWN MICHAEL S. FEHER 05NOV2003	Tyco Electronics Corporation Harrisburg, PA 17105-3608	
DIMENSIONS: INCHES	TOLERANCES UNLESS OTHERWISE SPECIFIED:	CHK DONALD F. DECKER 05NOV2003	NAME TERMINAL, SPRING SPADE #8 STUD,	
	0 PLC ± - 1 PLC ± - 2 PLC ± - 3 PLC ± .015 4 PLC ± - ANGLES ± 1°	APVD DONALD F. DECKER 05NOV2003	SIZE A2	CAGE CODE 00779
MATERIAL SEE TABLE	FINISH SEE TABLE	PRODUCT SPEC -	DRAWING NO C=42168	RESTRICTED TO -
CUSTOMER DRAWING		WEIGHT -	SCALE 8:1	SHEET 1 OF 1
		REV S		

42168