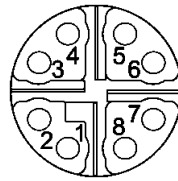


har-speed M12 PCB adapter X-coded



Mating face



X-coding
Mating face
acc. to IEC 61076-2-101



Identification

Part No.

Drawing

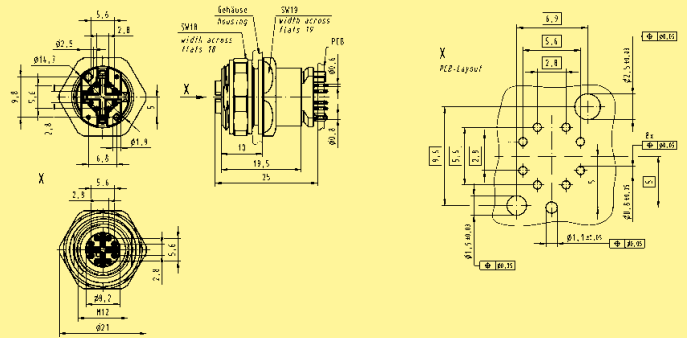
Dimensions in mm

har-speed M12 PCB adapter

Female, X-coding, straight, Cat. 6_A for rear mounting



21 03 381 2804

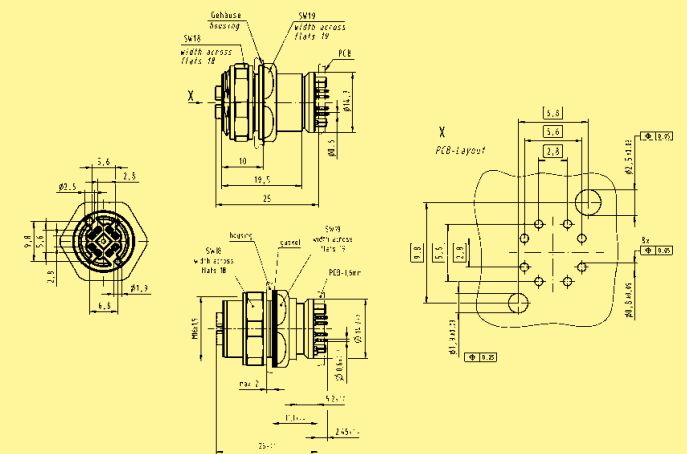


har-speed M12 PCB adapter

Female, X-coding, straight, Cat. 5 for rear mounting



21 03 381 2805



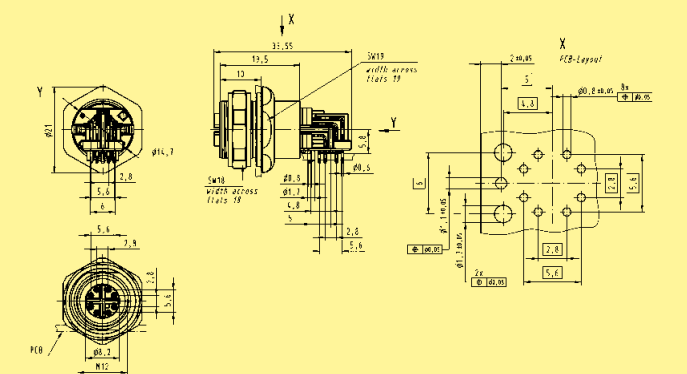
21 03 381 2809

har-speed M12 PCB adapter

Female, X-coding, angled, Cat. 6_A for rear mounting



21 03 381 4804



04

04
10