
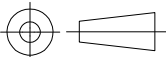


| | | | | | | | | |
|---|----------|-----------|-----------|-----|---------------------------|---------|-----|------|
| WAR NR. — | LOC A | DIST — | REVISIONS | | | | | |
| | | | P | LTR | DESCRIPTION | DATE | DWN | APVD |
| PASSEND ZU — | | | P | | REVISED PER ECO-11-005301 | 02MAR11 | RK | HMR |
| ÄNDERUNGEN, DIE DEM TECHNISCHEN FORT- SCHRITT DIENEN, BE- HALTEN WIR UNS VOR | | | | | | | | |

SIEHE ZEICHNUNG
826 629 BLATT 2

VON DIESER ZEICHNUNG GIBT ES KEIN ORIGINAL

| | | | |
|-------------|-----------|---------------------|--|
| — | — | — | — |
| BESTELL-NR. | WERKSTOFF | OBERFLÄCHE FARBE | VERWENDET FÜR — ZEICHNUNG GÜLTIG AB |

| | | | | | | |
|---|------------------|---|--|-----------|------------|---------------|
| DIMENSIONS: mm | DWN | — | MATERIAL | — | FINISH | — |
| | CHK | — |  TE Connectivity | | | |
| TOLERANCES UNLESS OTHERWISE SPECIFIED: | APVD | — | | | | |
| 0 PLC ± — | PRODUCT SPEC | — | NAME AMPMODU II STIFTLAISTE ZWEIREIHIG | | | |
| 1 PLC ± — | APPLICATION SPEC | — | SIZE | CAGE CODE | DRAWING NO | RESTRICTED TO |
| 2 PLC ± — | | | A4 | 00779 | C-826942 | — |
| 3 PLC ± — | | | | | | |
| 4 PLC ± — | | | | | | |
| ANGLES ± — | WEIGHT | — | | | | |
|  | | | CUSTOMER DRAWING | | SCALE | — |
| | | | | | SHEET | 1 OF 1 |
| | | | | | REV | P |

RELEASED FOR PUBLICATION

ALL RIGHTS RESERVED.

THIS DRAWING IS UNPUBLISHED.

By —

© COPYRIGHT