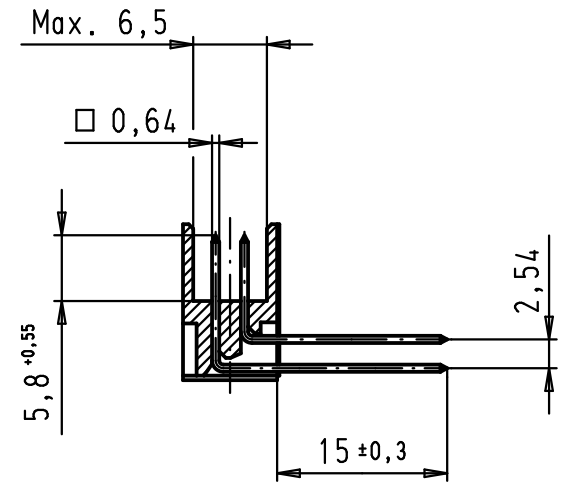
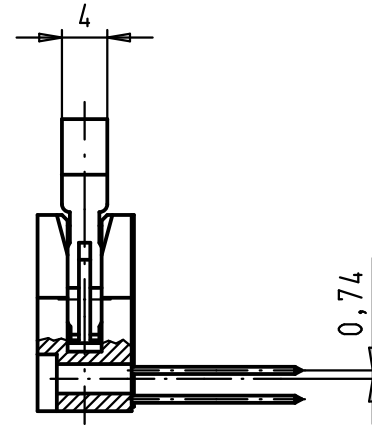
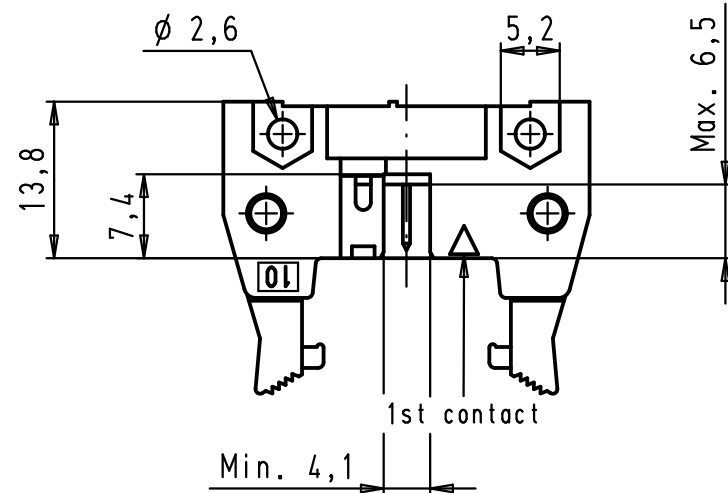
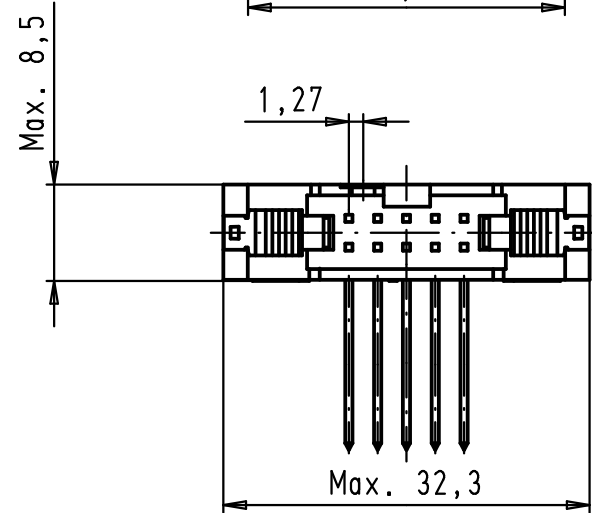
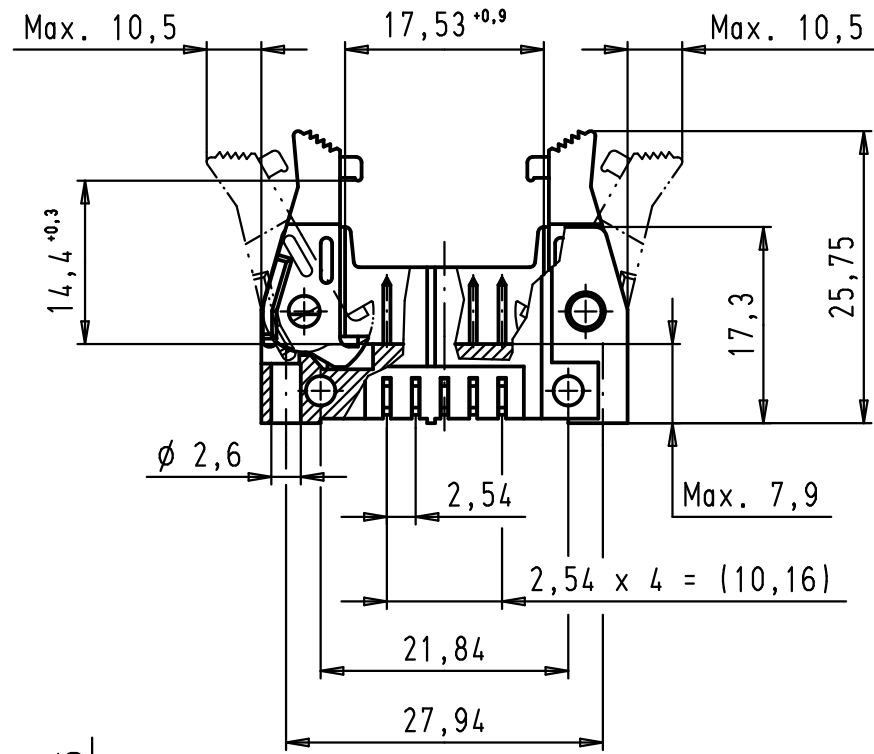
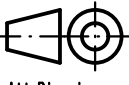



Alle Rechte vorbehalten. All rights reserved



09 18 510 7906	3
09 18 510 6906	2
09 18 510 5906	0,76 μm Au
Part number	Performance level

				Det.	Name	 All Dim. in mm Orig. Size DIN A 3	SEK 18 Male Connector Standard 10 poles Angled wrap posts Long locking levers	Maßstab/ Scale  1,5:1
			Detail.	19/09/02	CV			
			Insp.					
			Stand.					
34890	13/06/08	PK	HARTING EURL F-95972 Paris				<b>TB 09 18 510 X906</b>	Blatt/ Page 1 / 1
31092	19/09/02	CV	Mod.	Det.	Name			