



APPROVED DATA SHEET

Model: ZM50E70S01-A

ISSUED DATE: Aug 11.2008
APPROVED NO.: ZM50E70S01-A
VER: A
PAGE: 1/4

The undersigned guarantee of the model switches is meets the following specifications.

1. Operation Characteristics

Operating Force (OF)	:	Max.34 gf
Releasing Force (RF)	:	Min.8 gf
Free Position (FP)	:	Max.16.4 mm
Operating Position (OP)	:	10.8±1.0 mm
Movement Differential (MD)	:	Max.0.8 mm
Over-travel (OT)	:	Min.0.8 mm
Pre-travel (PT)	:	Max.4.6 mm



2. Specifications

Initial Contact Resistance	:	Max.100 m Ω . Before measure the switch contact resistance, please press the switch three times on and off.
Initial Dielectric Strength	:	1,000VAC(50-60HZ)/minute between contacts. 1,250VAC(50-60HZ)/minute Live-parts and dead metal parts.
Insulation Resistance	:	Min. 100 M Ω (500 VDC/ minute) between Live-parts and dead metal parts.
Circuit Arrangement	:	SPDT (Single pole double throw)
Rating	:	5A 125/250VAC
Service Life	:	Min. 6,000 operations.
Rating Load	:	Resistive Load.
Operating Frequency	:	10~30 operations per minute.
Safety Certificate	:	UL, CSA, CE
Mechanical Service Life	:	Min. 5,000,000 operations.
Operating Frequency	:	Max. 400 operations per minute.



APPROVED DATA SHEET

Model: ZM50E70S01-A
=====

ISSUED DATE: Aug 11.2008
APPROVED NO.: ZM50E70S01-A
VER: A
PAGE: 2/4

3. Environments

Operating Temperature : 0°C ~ 120°C
Storage Temperature : -25°C ~ 85°C
Storage Humidity : at 40°C, Max. 85% R.H
Soldering by hand : 350°C maximum within 5 seconds.
Soldering bath : 260°C maximum within 5 seconds.

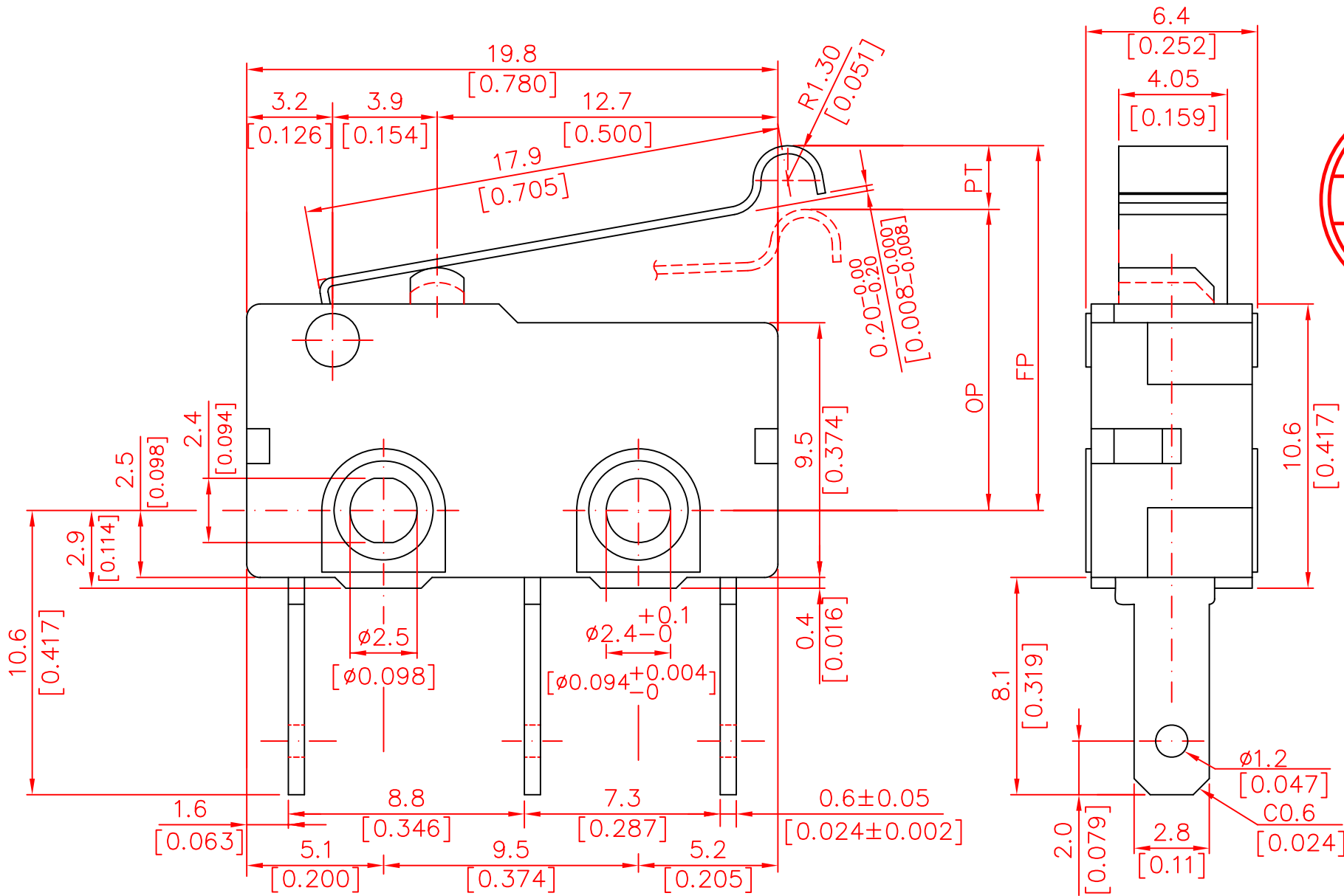


HONEYWELL
INTERNATIONAL INC.
Sweet

PREPARED
Oda

CHECKED
Dick

APPROVED



Tolerance ± 0.4 mm
 ± 0.016 inch

△											
REV	DATE	APPROVAL	DESIGN	ENGINEERING CHANGE DESCRIPTION		VIEW	SIZE	A4	UNIT	mm / inch	
Honeywell INTERNATIONAL INC.						DATE	Aug 13, 2008	VER.	1.0	FILE NAME	SM-05S-58B0-H-Z
						APPROVAL	Dick	CONFIRM	Hins	DESIGN	Oda

DATE CODE

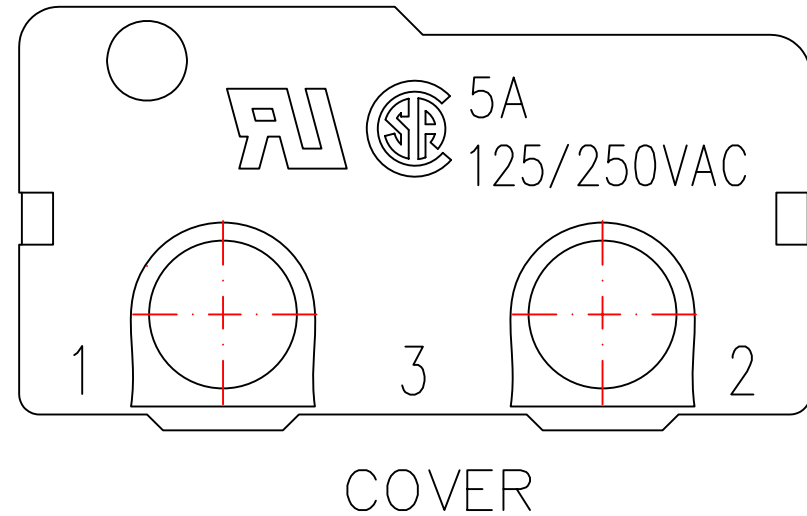
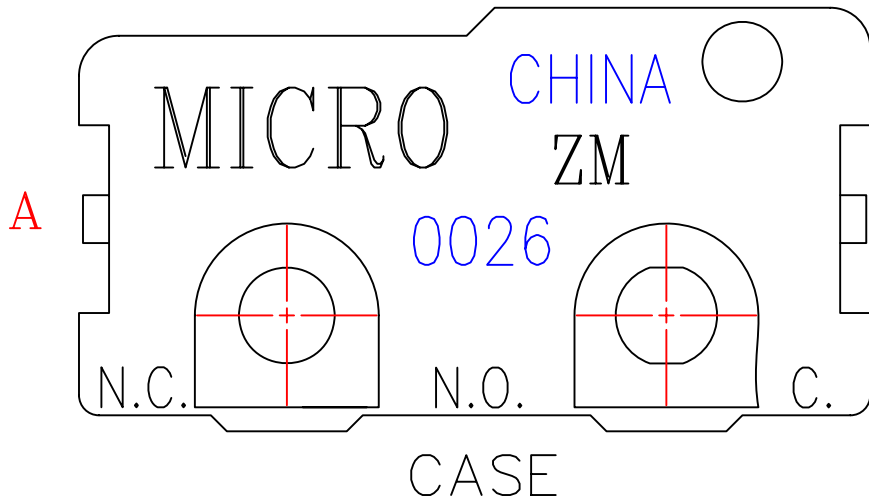
Marking drawing

0026
 year week

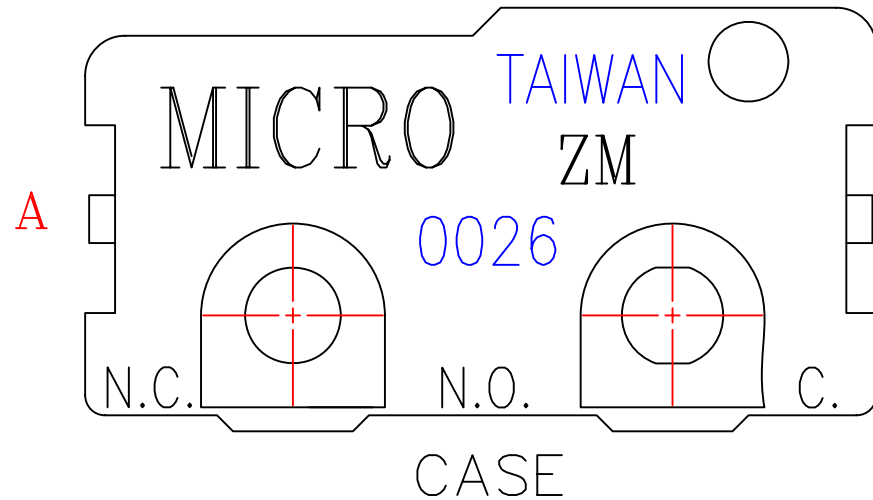
Date code will be random on A side or B side



MADE IN CHINA



MADE IN TAIWAN



△				
REV	DATE	APPROVAL	DESIGN	ENGINEERING CHANGE DESCRIPTION

Honeywell INTERNATIONAL INC.

VIEW		SIZE	A4	UNIT	mm / inch
DATE	Jun 25, 2008	VER.	1.3	FILE NAME	SM-05-H
APPROVAL	Leon	CONFIRM	Kent	DESIGN	Dick