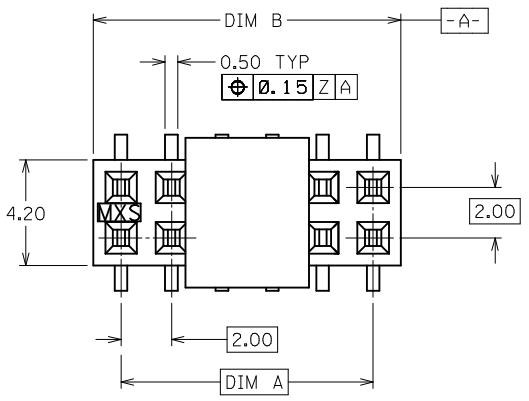
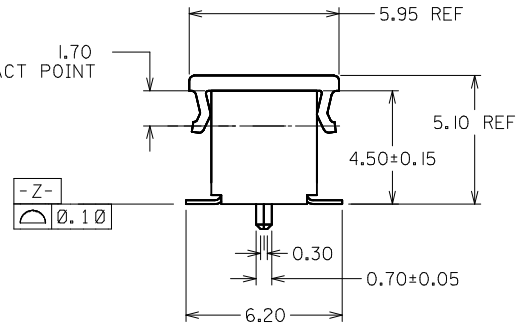
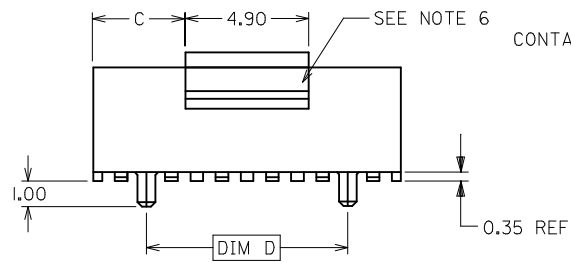


10 9 8 7 6 5 4 3 2 1

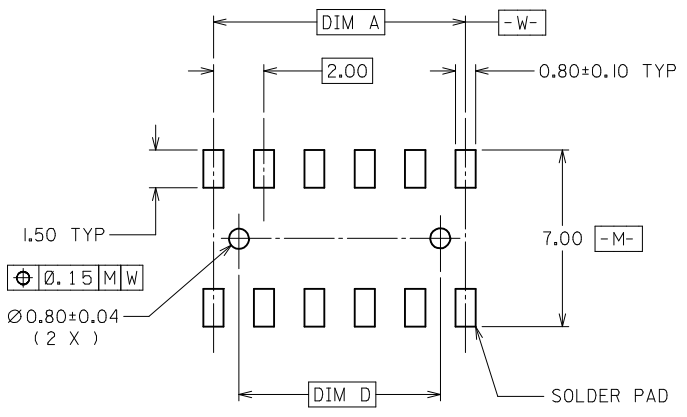


PART NO. LEGEND
 87381 - * * * *
 CIRCUIT SIZE
 PLATING
 3
 4 (SEE NOTE 1)
 8 COVER
 9 NO COVER



PART NUMBER (W/ CAP IN TUBE)	CKT. SIZE	DIM A	DIM B	DIM C	DIM D
87381-08**	8	6.00	8.00	1.55	4.00
87381-10**	10	8.00	10.00	2.55	6.00
87381-12**	12	10.00	12.00	3.55	8.00
87381-14**	14	12.00	14.00	4.55	10.00
87381-16**	16	14.00	16.00	5.55	12.00
87381-18**	18	16.00	18.00	6.55	14.00
87381-20**	20	18.00	20.00	7.55	16.00
87381-22**	22	20.00	22.00	8.55	18.00
87381-24**	24	22.00	24.00	9.55	20.00
87381-26**	26	24.00	26.00	10.55	22.00
87381-28**	28	26.00	28.00	11.55	24.00
87381-30**	30	28.00	30.00	12.55	26.00
87381-32**	32	30.00	32.00	13.55	28.00
87381-34**	34	32.00	34.00	14.55	30.00
87381-36**	36	34.00	36.00	15.55	32.00
87381-38**	38	36.00	38.00	16.55	34.00
87381-40**	40	38.00	40.00	17.55	36.00
87381-42**	42	40.00	42.00	18.55	38.00
87381-44**	44	42.00	44.00	19.55	40.00
87381-46**	46	44.00	46.00	20.55	42.00
87381-48**	48	46.00	48.00	21.55	44.00
87381-50**	50	48.00	50.00	22.55	46.00

- NOTES:
- PLATING FINISH :
 3 - 0.76um MIN. GOLD IN CONTACT AREA, 1.27um MIN. TIN
 IN SOLDER TAIL AREA BOTH OVER 1.27um MIN NBICKEL OVEALL
 4 - 0.38um MIN. GOLD IN CONTACT AREA 1.27um MIN. TIN
 IN SOLDER TAIL AREA BOTH OVER 1.27um MIN NBICKEL OVEALL
 - 12 CKT SIZE SHOWN FOR ILLUSTRATION ONLY. SEE CHART FOR ALL AVAILABLE PART SIZES
 - PRODUCT SPECIFICATION PS-87380 APPLIES
 - COPLANARITY OF SOLDER TAILS ARE TO BE MEASURED BY RESTING THE PART ON A FLAT GAUGE SURFACE
 - TUBE PACKAGING STANDARD
 - COVER IS OPTIONAL, SEE LEGEND.
 - PARTS SHALL BE PACKED IN MOISTURE BARRIER BAG.



RECOMMENDED PCB LAYOUT

ADD NOTE 7. EC NO: S2015-0813 DRW:ATSEE 2015/01/16 CHKD:CGOH 2015/01/22 APPR:KHLIM 2015/01/22	QUALITY SYMBOLS ▽=0 ◻=0	GENERAL TOLERANCES (UNLESS SPECIFIED)		DIMENSION STYLE MM ONLY		SCALE NTS	DESIGN UNITS METRIC	THIRD ANGLE PROJECTION	
		4 PLACES ± --- ± --- 3 PLACES ± --- ± --- 2 PLACES ± 0.20 ± --- 1 PLACE ± --- ± --- ANGULAR ± 3 °	mm INCH ± --- ± --- ± --- ± --- ± 0.20 ± --- ± --- ± ---	DRAWN BY RSHAN	DATE 1998/03/10	TITLE MGRID 2MM RECEPTACLE 4.50MM HT.			
				CHECKED BY SQUEK	DATE 1998/03/28	MOLEX MOLEX INCORPORATED			
				APPROVED BY KHLIM	DATE 2015/01/22	DOCUMENT NO. SD-87381-**8*			
				MATERIAL NO. SEE TABLE		SHEET NO. 1 OF 3			
				DRAFT WHERE APPLICABLE MUST REMAIN WITHIN DIMENSIONS					
				THIS DRAWING CONTAINS INFORMATION THAT IS PROPRIETARY TO MOLEX INCORPORATED AND SHOULD NOT BE USED WITHOUT WRITTEN PERMISSION					

9 8 7 6 5 4 3 2 1

F

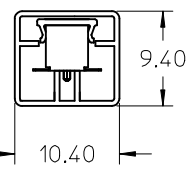
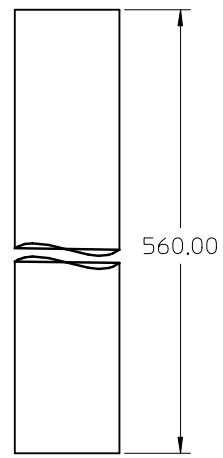
E

D

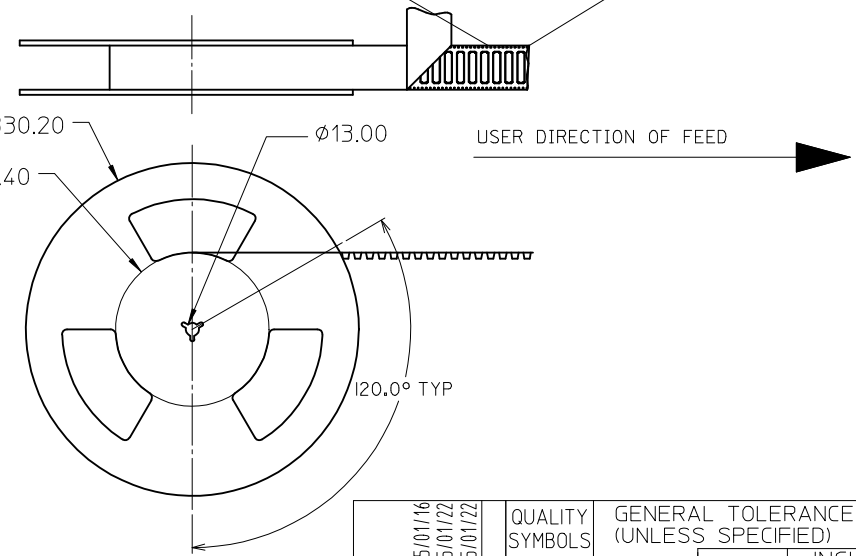
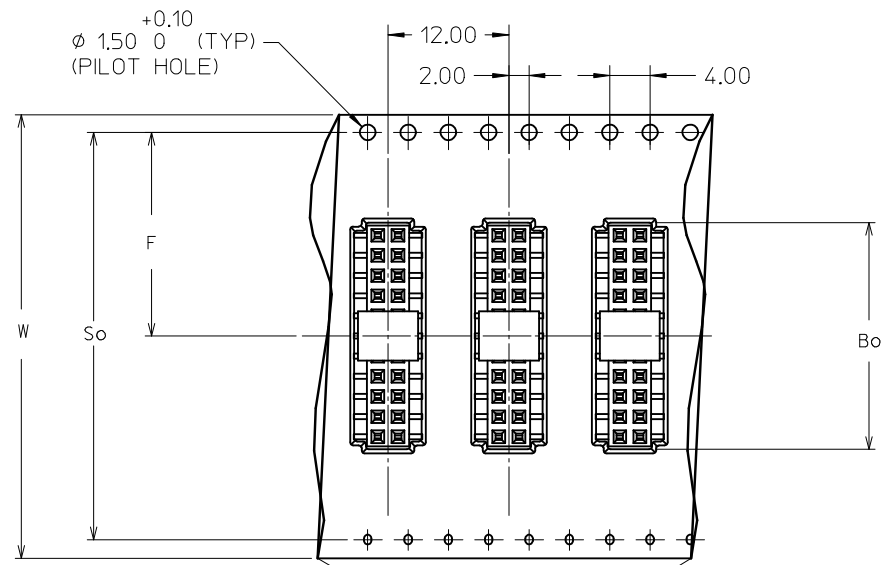
C

B

A



TUBE PACKAGING ORIENTATION
(SEE SHT 1 FOR PART NUMBER)



TAPE AND REEL ORIENTATION

NOTES:

- LEADER AND TRAILER TAPE
- PEELING OFF FORCE OF THE TOP TAPE: 20-80gf.
 (PEELING DIRECTION AS SHOWN IN FOLLOWING FIGURE)

- PACKAGING STANDARD IS AS PER EIA-481.
- TAPE & REEL QUANTITY = 800 PCS/REEL

ADD NOTE 7. EC NO: S2015-0813 DRW:ATSEE 2015/01/16 CHKD:CGOH 2015/01/22 APPR:KHLIM 2015/01/22	QUALITY SYMBOLS	GENERAL TOLERANCES (UNLESS SPECIFIED)	DIMENSION STYLE	SCALE	DESIGN UNITS	THIRD ANGLE PROJECTION	
	▽=0 ◻=0	mm INCH 4 PLACES ± --- ± --- 3 PLACES ± --- ± --- 2 PLACES ± 0.20 ± --- 1 PLACE ± --- ± --- ANGULAR ± 3 °	MM ONLY	NTS	METRIC		
	DESCRIPTION	DRAFT WHERE APPLICABLE MUST REMAIN WITHIN DIMENSIONS	DRAWN BY	DATE	TITLE		
	REV		RSHAN	1998/03/10	MGRID 2MM RECEPTACLE 4.50MM HT.		
			CHECKED BY	DATE			
			SQUEK	1998/03/28			
			APPROVED BY	DATE			
			KHLIM	2015/01/22			
			MATERIAL NO.	DOCUMENT NO.			
			SEE TABLE		MOLEX INCORPORATED		
			SIZE		SD-87381-***8*	SHEET NO.	
			A3			2 OF 3	
			THIS DRAWING CONTAINS INFORMATION THAT IS PROPRIETARY TO MOLEX INCORPORATED AND SHOULD NOT BE USED WITHOUT WRITTEN PERMISSION				

10 | 9 | 8 | 7 | 6 | 5 | 4 | 3 | 2 | 1

PART NUMBER (W/CAP IN TUBE)	MOISTURE BARRIER BAG P/N FOR TUBE	PART NUMBER (W/ CAP IN T&R)	MOISTURE BARRIER BAG P/N FOR T&R	CKT. SIZE	W	So	F	Bo
87381-2284	89990-0201	87381-8252	89990-0200	22	44.00	40.40	20.20	22.50
87381-3084		87381-8231		30	56.00	52.40	26.20	30.50

ADD NOTE 7. EC NO: S2015-0813 DRWN:ATSEE 2015/01/16 CHKD:CGOH 2015/01/22 APPR:KHLIM 2015/01/22	QUALITY SYMBOLS = 0 = 0	GENERAL TOLERANCES (UNLESS SPECIFIED)		DIMENSION STYLE MM ONLY		SCALE NTS	DESIGN UNITS METRIC	THIRD ANGLE PROJECTION		
			mm	INCH	DRAWN BY	DATE	TITLE MGRID 2MM RECEPTACLE 4.50MM HT.			
		4 PLACES	± ---	± ---	RSHAN	1998/03/10				
		3 PLACES	± ---	± ---	CHECKED BY	DATE	MOLEX INCORPORATED			
2 PLACES	± 0.20	± ---	SQUEK	1998/03/28						
1 PLACE	± ---	± ---	APPROVED BY	DATE	DOCUMENT NO. SD-87381-***8*					
ANGULAR ± 3 °		KHLIM		2015/01/22						
DRAFT WHERE APPLICABLE MUST REMAIN WITHIN DIMENSIONS		SEE TABLE		MATERIAL NO.		SHEET NO. 3 OF 3				
		SIZE A3		THIS DRAWING CONTAINS INFORMATION THAT IS PROPRIETARY TO MOLEX INCORPORATED AND SHOULD NOT BE USED WITHOUT WRITTEN PERMISSION						

9 | 8 | 7 | 6 | 5 | 4 | 3 | 2 | 1