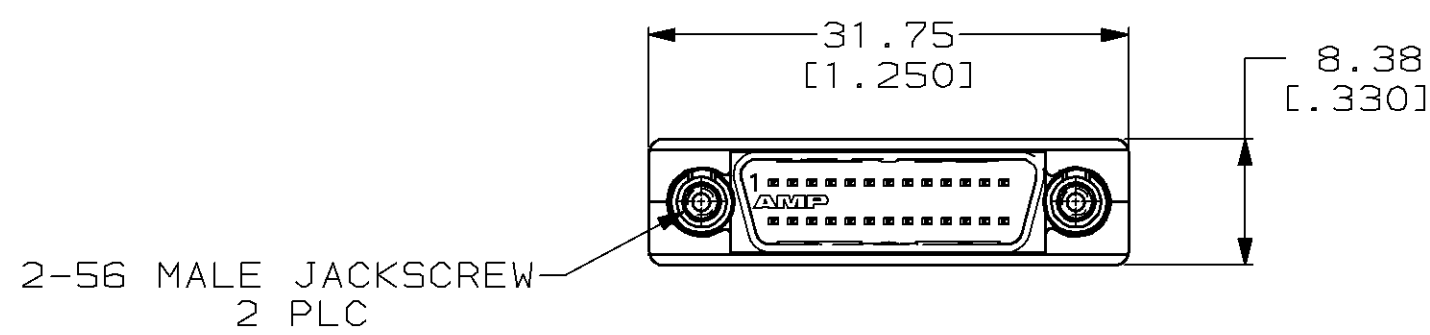
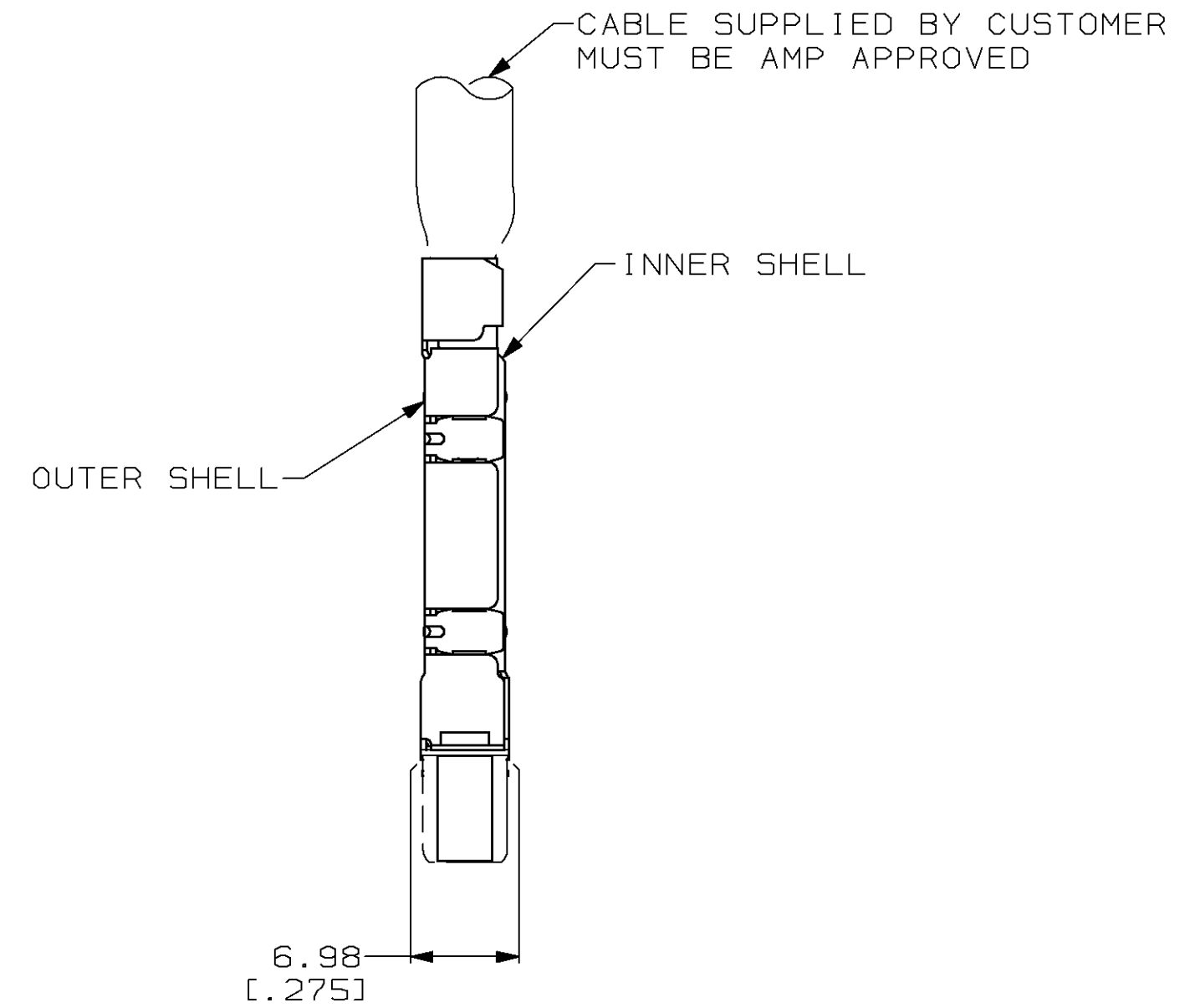
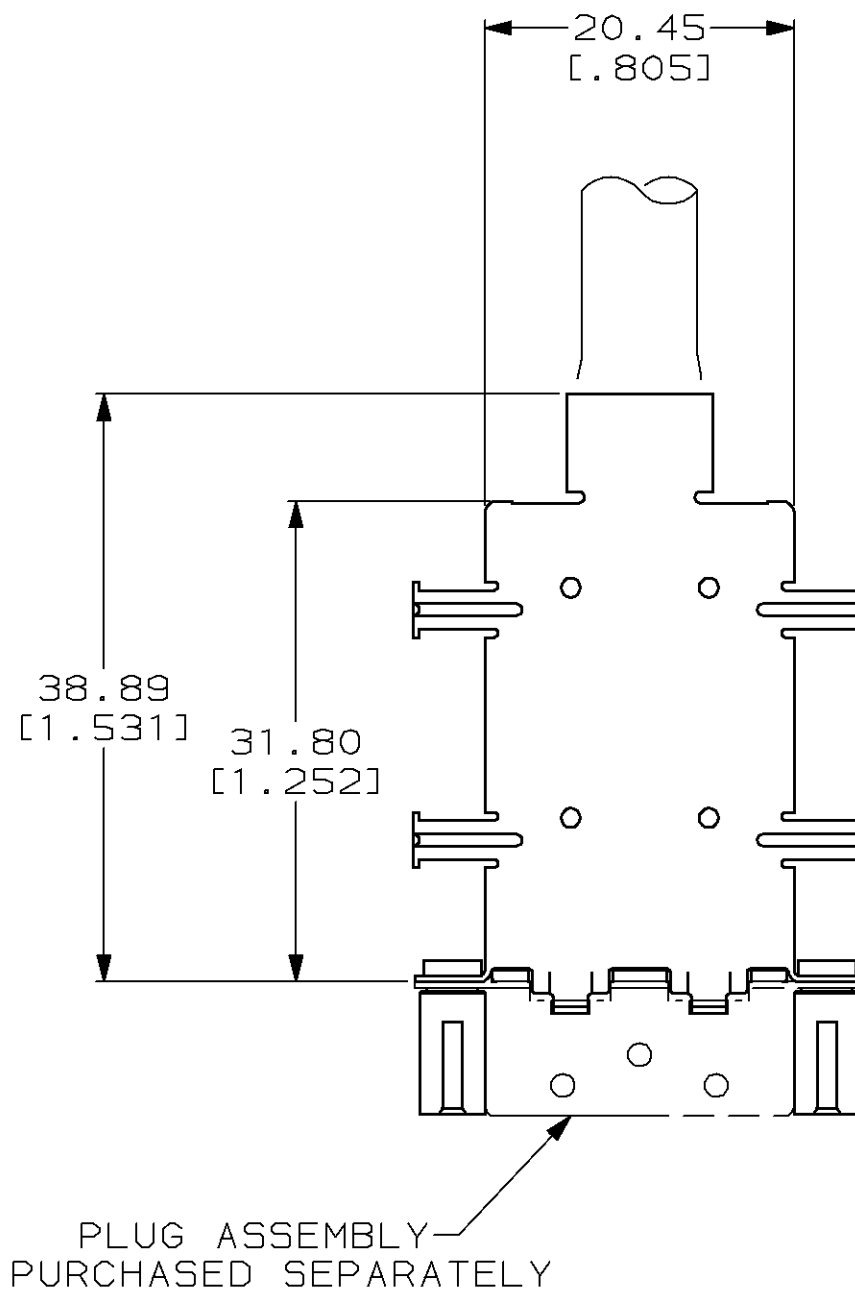
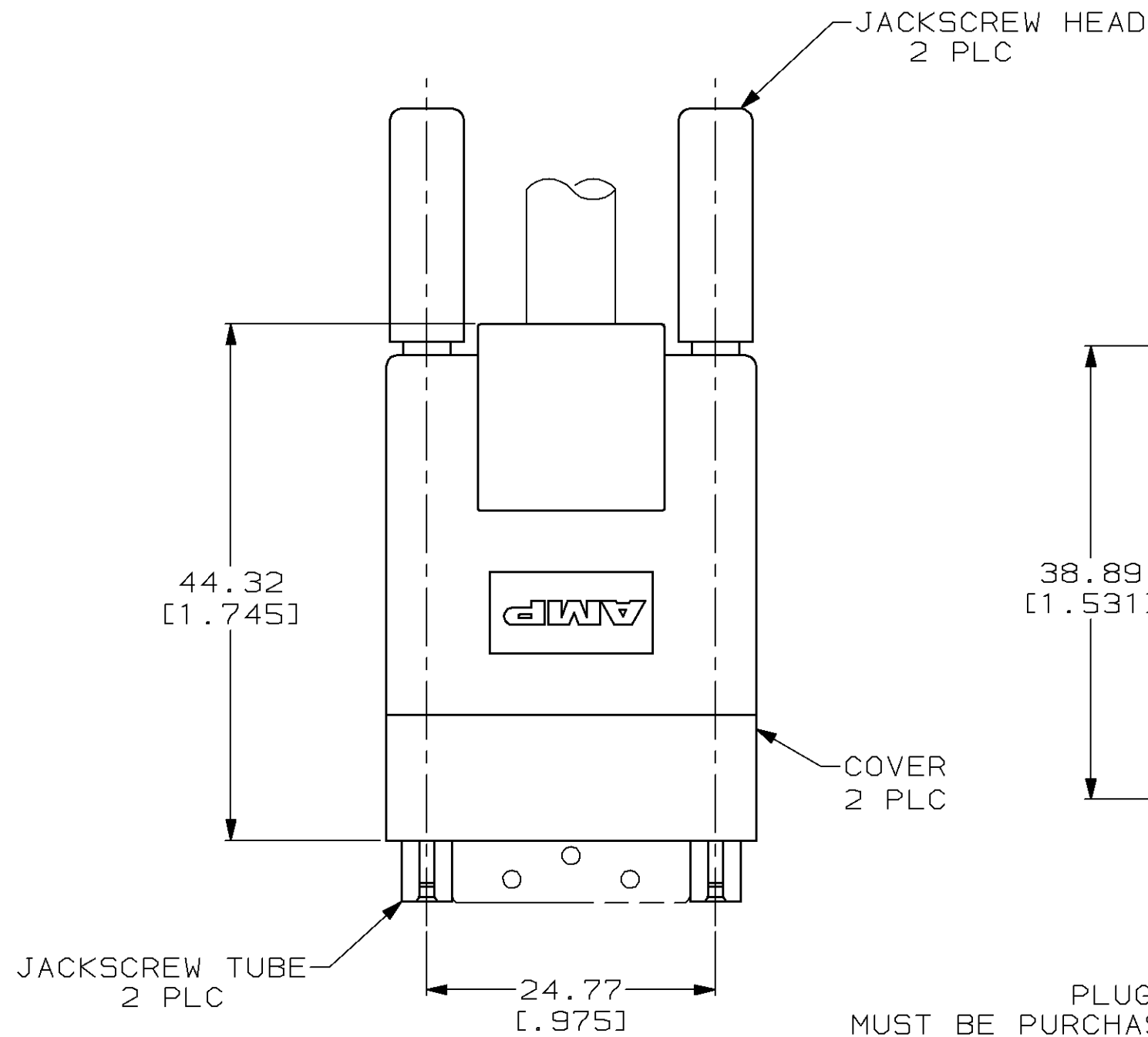


THIS DRAWING IS UNPUBLISHED. RELEASED FOR PUBLICATION ,19 .  
 © COPYRIGHT 19 BY AMP INCORPORATED. ALL INTERNATIONAL RIGHTS RESERVED.

LOC	DIST	P	F	ZONE	LTR	REVISIONS DESCRIPTION	DATE	APPD
BD	95				F	REV PER EC 0020-1412-93	01/20/94	LB
					G	OBSOLETE -1 THRU -4, -6 & -8 PER EC 0020-481-96	13 FEB 97	LB
					H	OBS -5 PER EC 0410-180-96	22 SEP 97	LB



CABLE DIAMETER	PACKAGING	MATERIAL COLOR	PART NO
7.11-7.87 [.280-.310]	2	BLACK	750852-8
6.35-7.11 [.250-.280]	1	BLACK	750852-7
7.11-7.87 [.280-.310]	2	BLACK	750852-6
6.35-7.11 [.250-.280]	1	BLACK	750852-5
7.11-7.87 [.280-.310]	2	GRAY	750852-4
6.35-7.11 [.250-.280]	1	GRAY	750852-3
7.11-7.87 [.280-.310]	2	GRAY	750852-2
6.35-7.11 [.250-.280]	1	GRAY	750852-1

- 1 COMPONENTS PACKAGED AS A UNIT KIT.
- 2 COMPONENTS INDIVIDUALLY BULK PACKED AND COMBINED IN ONE SHIPPING CONTAINER.
- 3 UL 94V-0 RATED, ABS MOLDING COMPOUND, COLOR: SEE TABLE.
- 4. TIN PLATING PER MIL-T-10727, COPPER PER MIL-C-14550.
- 5 ZINC PLATING PER ASTM B633, TYPE III, CLASS SC1, CLEAR CHROMATE.
- 6 5.08µm [.000200] MIN TIN OVER 5.08µm [.000200] MIN COPPER.
- 7 OBSOLETE PART NUMBER.

DO NOT SCALE PRINT. UNLESS SPECIFIED DIMENSIONS IN mm [INCHES] TOLERANCES ON : 2 PLC DEC ± 0.38 [.015] 3 PLC DEC ± - ANGLES ± -		DR 01/21/92 M.MCCAFFREY	AMP Incorporated Harrisburg, PA 17105-3608	
MATERIAL COVER: 3 JACKSCREW HEAD: 3 SHELLS: COPPER-NICKEL ALLOY JACKSCREW: STEEL JACKSCREW TUBE: ZINC		CHK 01/21/92 R.FRANTZ		
FINISH JACKSCREW: 5 JACKSCREW TUBE: 6		APPD 01/21/92 R.FRANTZ	NAME BACKSHELL KIT, 26 POSITION, PLUG, KEYED, SLIMLINE, AMPLIMITE™ .050 Series	
		APPD 01/21/92 R.WHITEMAN	DRAWING NO 750852	
		PRODUCT SPEC 108-1366	SIZE C	CAGE CODE 00779
		APPLICATION SPEC 114-40036	SCALE 2:1	SHEET 1 OF 1
		WEIGHT -		