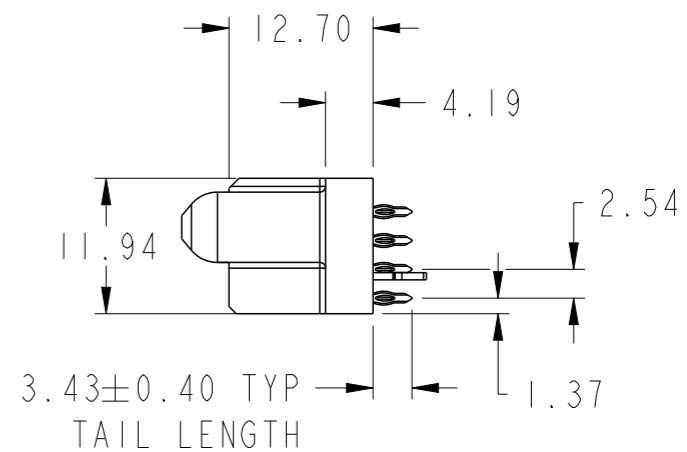
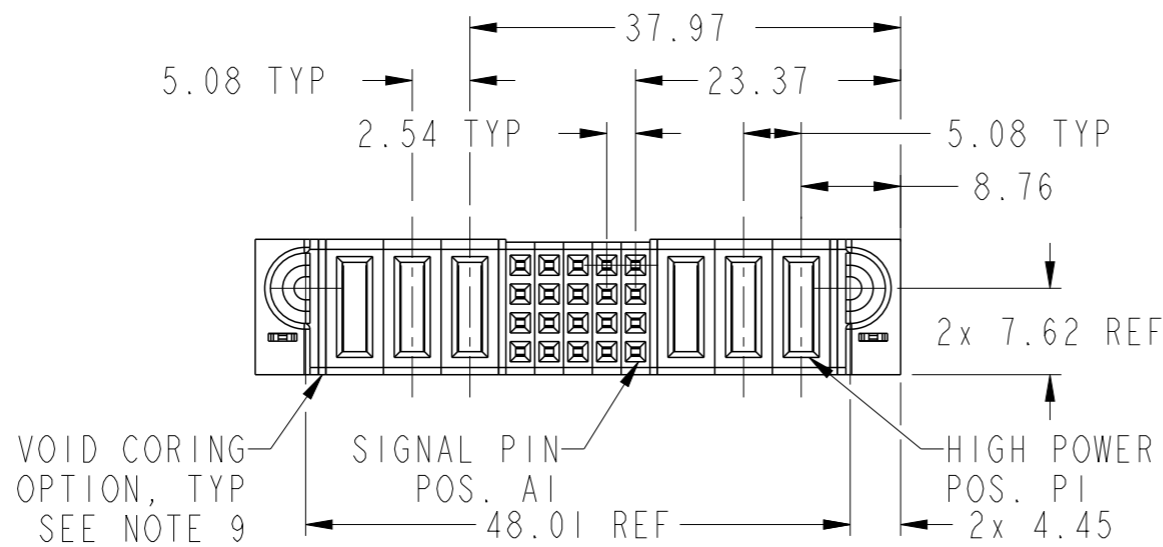
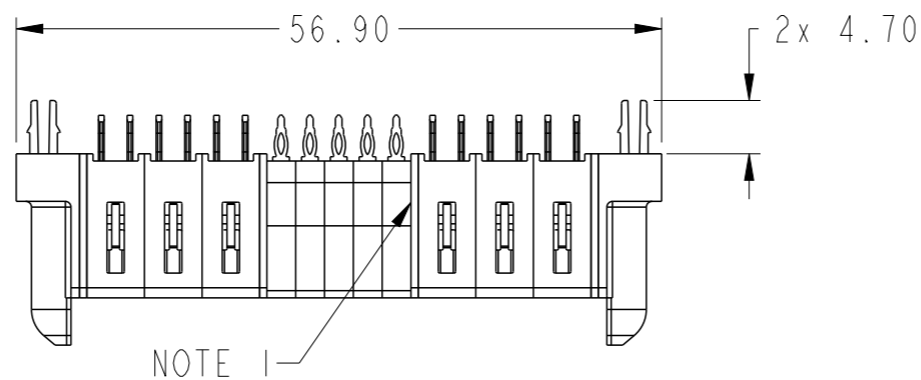
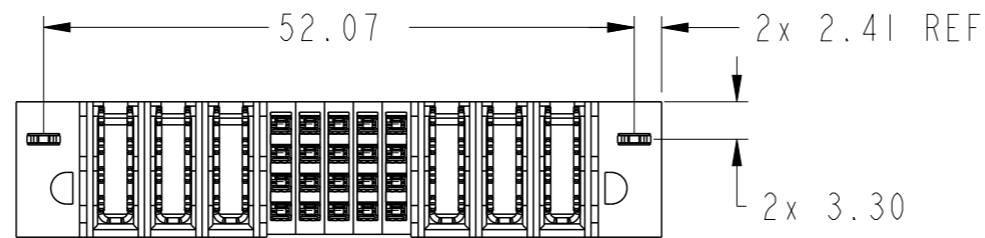


PRODUCT NUMBER SEE SHEET 2



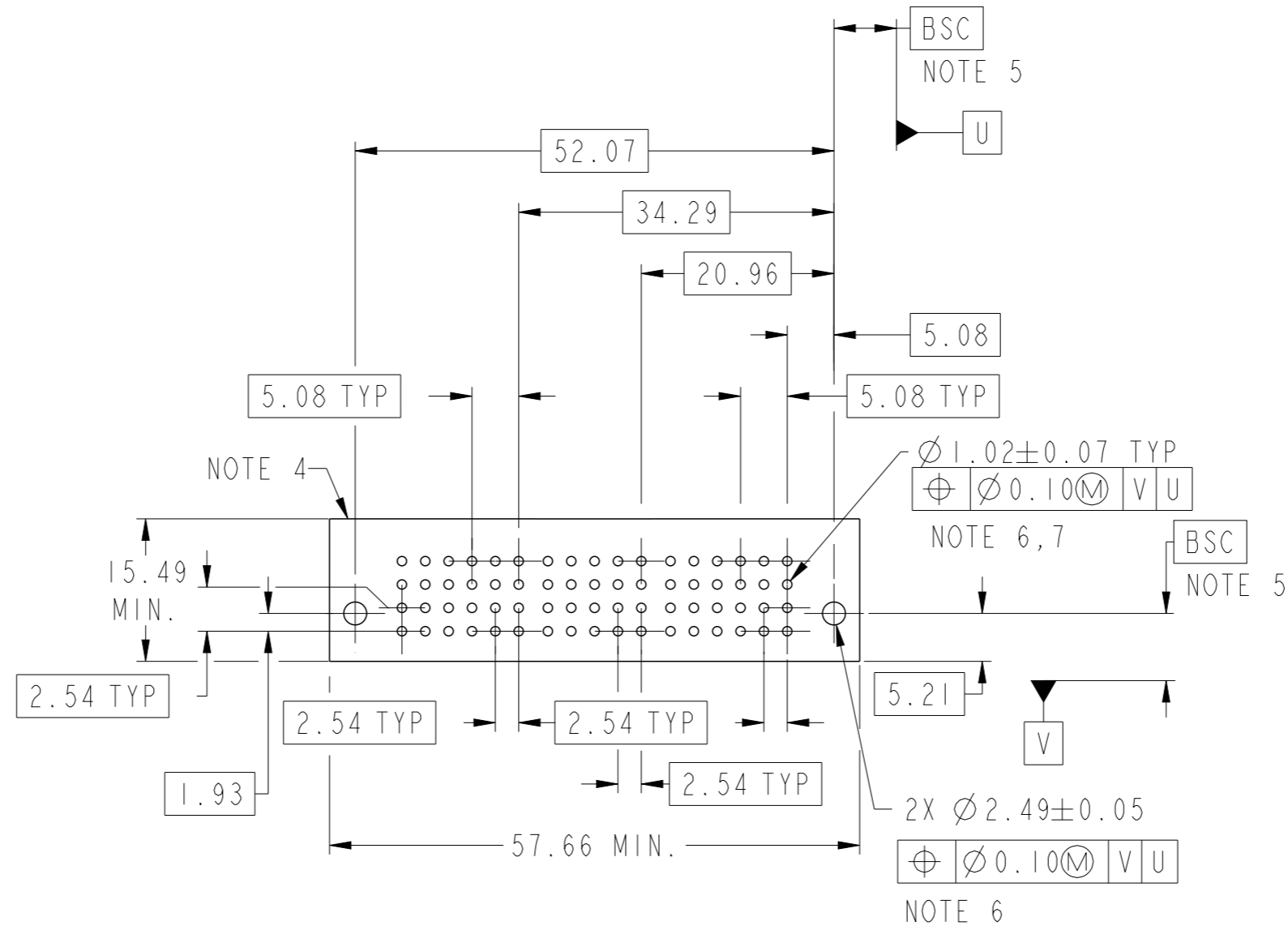
spec ref		dr	Rainbow Zhan	2014/09/04	projection	MM	size	A3	scale	3:2
tolerance std		eng	Rainbow Zhan	2014/09/17			ecn no		-	
ASME Y14.5		chr	Li-He	2014/09/15			rel level		Released	
TOLERANCES UNLESS OTHERWISE SPECIFIED		appr	Pei-Ming Zheng	2014/09/16	product family		PowerBlade+			
surface		linear	0.X	±0.50		3HDP+20S+3HDP VT PF RECEPTACLE		dwg no 10106139-6005001	rev A	
			0.XX	±0.25						
			0.XXX	±0.10						
ASME Y14.5		angular	0°	±2°	www.fci.com	cat. no.	Product - Customer Drw		sheet 1 of 3	



Copyright FCI.

PRODUCT NO.	ROWS	HP			SIGNAL					HP			E2		
		E1	P6	P5	P4	5	4	3	2	1	P3	P2		P1	
10106139-6005001LF	DCBA	HA	HG	HG	HG	F	F	F	F	F	F	HG	HG	HG	HA

CODE	DESCRIPTION
F	STD SIGNAL CONTACT
HA	METAL HOLD DOWN
HG	STD HIGH POWER CONTACT (3.43)



Copyright FCI.

dr	Rainbow Zhan	2014/09/04	projection	MM	size	A3	scale	3:2
eng	Rainbow Zhan	2014/09/17			ecn no			
chr	Li-He	2014/09/15			-			
appr	Pei-Ming Zheng	2014/09/16	product family	PowerBlade+	rel level		Released	
			3HDP+20S+3HDP		dwg no		10106139-6005001	
www.fci.com			VT PF RECEPTACLE		rev		A	
cat. no.			Product - Customer Drw			sheet 2 of 3		

NOTES:

- 1) "FCI", PART NUMBER AND DATE CODE TO BE MARKED ON THIS SURFACE.  
THE MARK CAN BE OMITTED IF THERE IS NOT ENOUGH SPACE ON THIS SURFACE.
- 2) MATERIALS:  
-HOUSING - GLASS FILLED WITH HIGH TEMP THERMOPLASTIC, UL94V-0.  
-SIGNAL CONTACT - COPPER ALLOY.  
-POWER CONTACT - HIGH CONDUCTIVITY COPPER ALLOY.
- 3) PLATING SPECIFICATION REFER TO FCI 10116351
- 4) DENOTES CONNECTOR KEEP OUT ZONE.
- 5) DATUM AND BASIC DIMENSIONS WERE ESTABLISHED BY CUSTOMER.
- 6) ALL HOLE DIAMETERS ARE FINISHED HOLE SIZES.
- 7)  $1.15 \pm 0.025$ MM DRILLED HOLE PLATED WITH 0.00762MM MIN Sn  
OVER 0.0254-0.0762MM Cu PLATING TO ACHIEVE A  $1.02 \pm 0.07$ MM HOLE.
- 8) PRODUCT SPECIFICATION REFER TO FCI GS-12-658.  
APPLICATION SPECIFICATION REFER TO FCI GS-20-141.  
PRODUCT PACKAGED IN TRAYS, REFER TO FCI GS-14-1502.
- 9) THE VOID CORING IN BETWEEN POWER MODULES, SIGNAL  
MODULES AND END MODULES ARE OPTIONAL AND THE SHAPE  
MAY BE DIFFERENT FOR OPTIMIZE THE MOLDING PROCESS. THE  
VOID CORING WILL NOT EFFECT TO PRODUCT FUNCTION.



Copyright FCI.

dr	Rainbow Zhan	2014/09/04	projection 	MM 	size	A3	scale	1:1
eng	Rainbow Zhan	2014/09/17			ecn no	-		
chr	Li-He	2014/09/15			rel level	Released		
appr	Pei-Ming Zheng	2014/09/16	product family	PowerBlade+				
		title 3HDP+20S+3HDP VT PF RECEPTACLE		dwg no 10106139-6005001	rev A			
www.fci.com		cat. no.	Product - Customer Drw		sheet 3 of 3			