

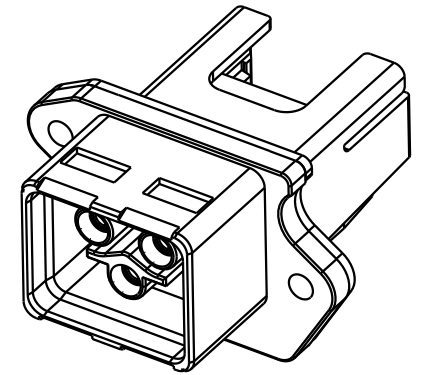
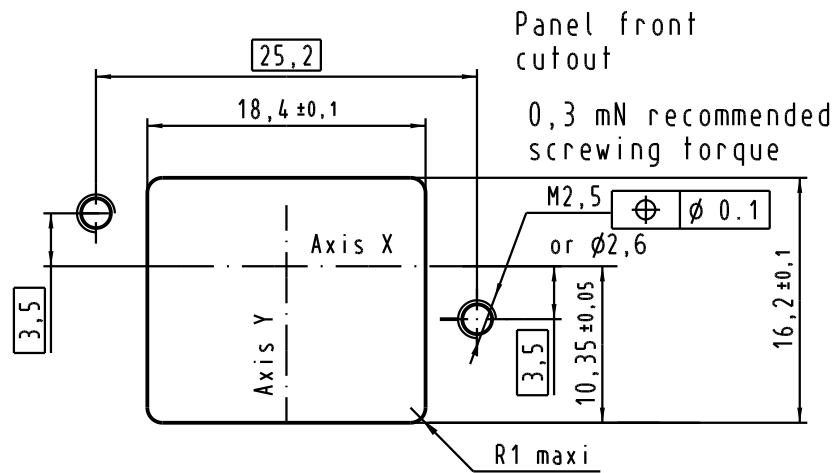
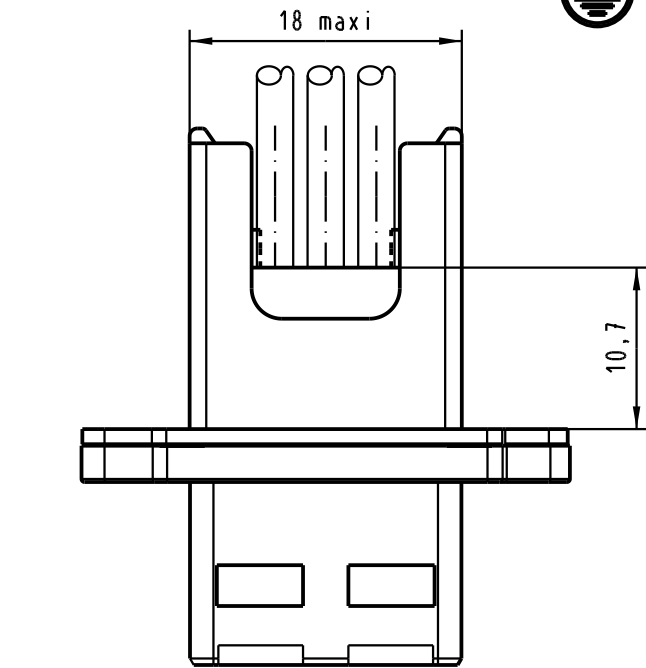
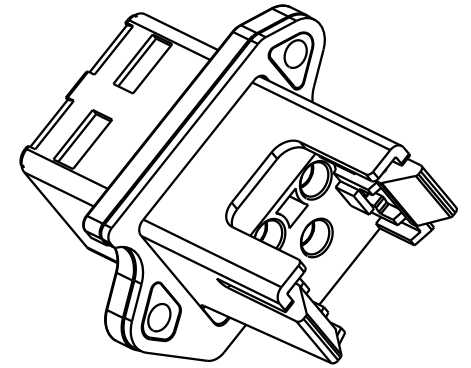
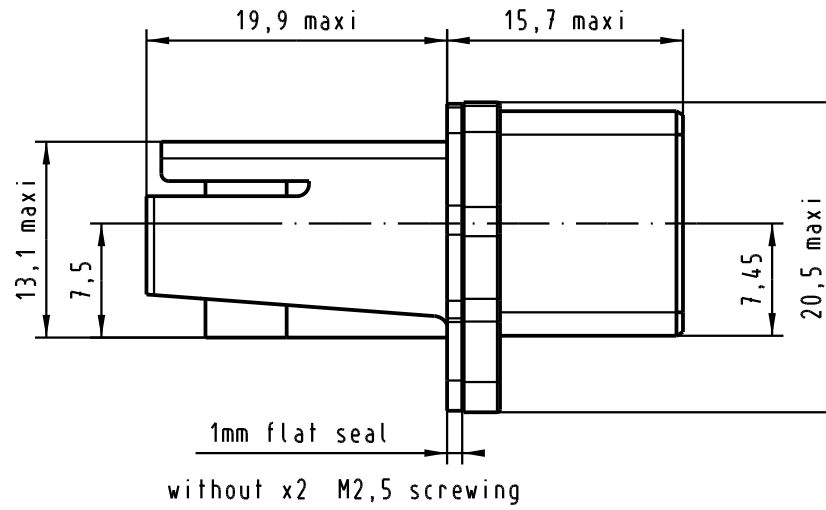
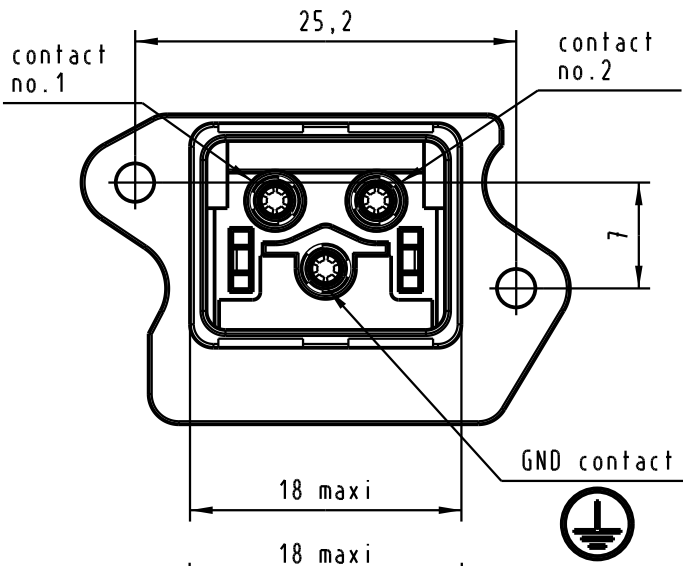
1 2 3 4 5 6

A

B



C

D



x3 stranded wires 1,5 mm<sup>2</sup>

connectors pitch on panel:  
Axis X = 27 mm  
Axis Y = 21 mm

				Dat.	Name	 All Dim. in mm Orig. Size DIN A 4	push pull power IP67 PANEL FEED THROUGH 16A-250V WITH POWER FIXED CRIMP CONNECTOR	Maßstab/ Scale  2:1
			Detail.	29-AUG-05	JB			
			Insp.					
			Stand.					
33415	16-JAN-06	JB	HARTING EUROL F-95972 Paris				TB 09 46 245 3410	Blatt/ Page 1 / 1
33080	29-AUG-05	JB						
Mod.	Dat.	Name						