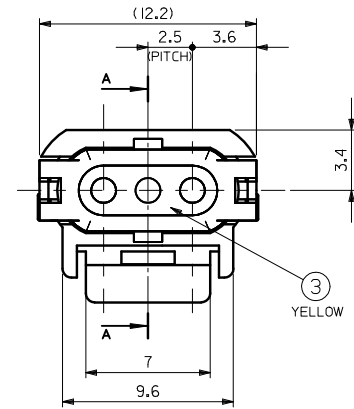
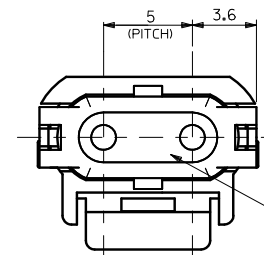


端子装着時の断面 A-A
SECTION A-A TERMINAL ASSEMBLY DRAWING

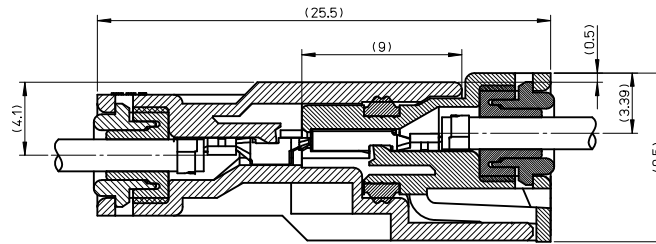
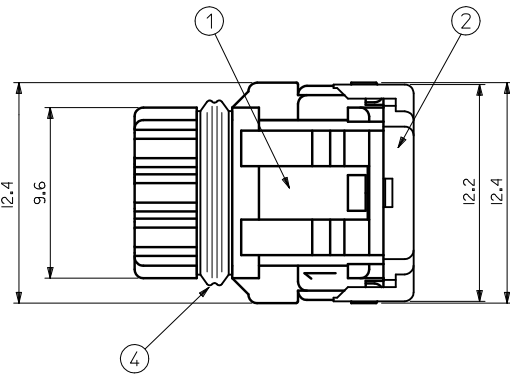


52117-034*



52117-024*

52117-0240-0242 : RED
52117-0243 : BLACK



嵌合状態図
FULLY MATED CONDITION

注記
NOTE

- 適合端子 : 50039-8*00
APPLICABLE TERMINAL : 50039-8*00
- 嵌合相手 : 52116-0*4*
MATES WITH : 52116-0*4*
- 製品仕様書 : PS-52117-007
PRODUCT SPECIFICATION : PS-52117-007
- 取扱説明書 : AS-52117-001
APPLICATION SPECIFICATION : AS-52117-001
- ELV及びRoHS適合品
ELV AND RoHS COMPLIANT

赤 RED	52117-0342	3
黒 BLACK	52117-0341	3
白 WHITE	52117-0340	3
白 WHITE	52117-0243	2
赤 RED	52117-0242	2
黒 BLACK	52117-0241	2
白 WHITE	52117-0240	2
色 COLOR	MATERIAL NO.	極数 CKT

シリコンゴム SILICONE	黄 YELLOW	RING SEAL	④
シリコンゴム SILICONE	図参照 SEE DRAWING	WIRE END SEAL	③
ポリエステル (15%G.F.) POLYESTER (15%G.F.)	表参照 SEE CHART	CAP	②
ポリエステル (15%G.F.) POLYESTER (15%G.F.)	表参照 SEE CHART	REC. HOUSING	①
材 料 MATERIAL	色 COLOR	名 称 TITLE	

構成部品
COMPONENTS

REVISED & REDRAWN EC NO: JTR2012-0029 DRWNS INAKA 2011/11/30 CHKD-SANDO 2011/12/14 APPR: MAYAMOTO 2012/01/18	GENERAL TOLERANCES (UNLESS SPECIFIED)		DIMENSION STYLE MM ONLY	SCALE 5:1	DESIGN UNITS METRIC	THIRD ANGLE PROJECTION
	10 UNDER	± 0.2	DRAWN BY Y. ASHIZAWA	DATE 1988/7/8	TITLE 2.5 WATERPROOF CONN. REC. HSG ASSY W/POSITIVE LOCK	
	10 OVER 30 UNDER	± 0.25	CHECKED BY M. SAKANO	DATE 1988/7/8	MOLEX INCORPORATED	
	30 OVER	± 0.3	APPROVED BY MAYAMOTO	DATE 2012/01/18	DOCUMENT NO. SD-52117-001	SHEET NO. 1 OF 1
	ANGULAR	± 3 °	SEE CHART			
DRAFT WHERE APPLICABLE MUST REMAIN WITHIN DIMENSIONS			THIS DRAWING CONTAINS INFORMATION THAT IS PROPRIETARY TO MOLEX INCORPORATED AND SHOULD NOT BE USED WITHOUT WRITTEN PERMISSION			