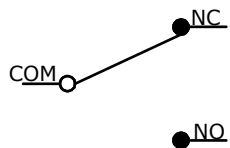
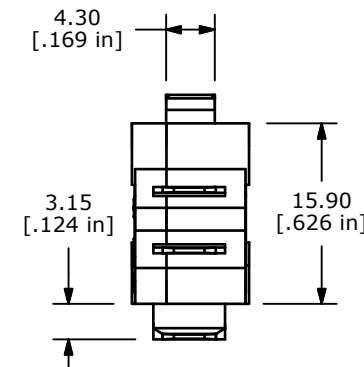
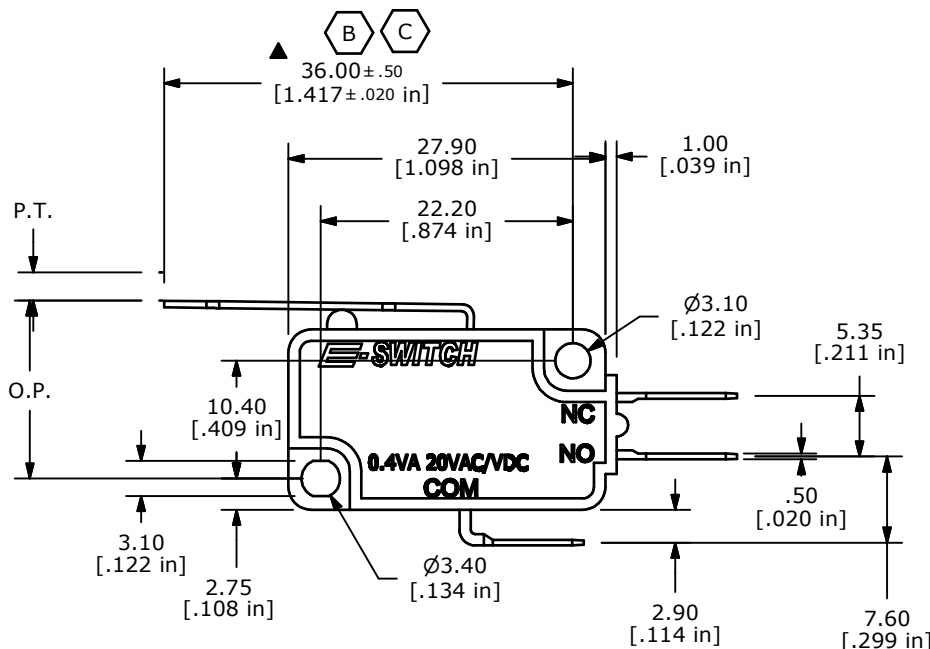


▲ O.P. (MM)	P.T. (MM)
15.5±0.8	4.1 MAX.

O.P. = OPERATING POINT
P.T. = PRE-TRAVEL



CIRCUIT: SPDT



NOTES:

1. ALL DIMENSIONS IN MM [INCH]
2. GENERAL TOLERANCE: X.X=±0.4
X.XX=±0.25
3. RATING: 0.4VA @20VAC OR DC
- ▲ 4. OPERATING FORCE: 045± 20 GRAMS
5. OPERATING TEMP: -25°C TO 85°C
6. ELECTRICAL LIFE: 50,000 CYCLES MIN.
7. MECHANICAL LIFE: 1,000,000 CYCLES TYP.
8. INSULATION RESISTANCE: 100 MEGA-OHMS MIN.
9. DIELECTRIC STRENGTH: 1500VAC 1 MINUTE (INITIAL VALUE)
10. CONTACT RESISTANCE: 100 MILLI -OHMS MAX.
11. ▲ DENOTES CRITICAL PARAMETER.
- ▲ 12. CONTACTS: 10 MICRO INCHES MINIMUM GOLD PLATING (P/N Q990000)
13. 2002/95/EC (ROHS) COMPLIANT

C	20754	36.00 WAS 36.60, 4.70 WAS 4.75	9/14/12	EBP
B	15632	CHANGES NOTED	12/21/05	PH
A	15585	RELEASED FOR PRODUCTION	12/6/05	PH
REV	PCR NO	DESCRIPTION	DATE	BY



TITLE LS085R102F045C1A				
SCALE	DATE	DR	DWG	REV
1.5:1	12/6/2005	PH	Q950025	C

THE INFORMATION CONTAINED IN THIS DOCUMENT IS PROPRIETARY TO E-SWITCH AND IS NOT TO BE COPIED OR TRANSFERRED