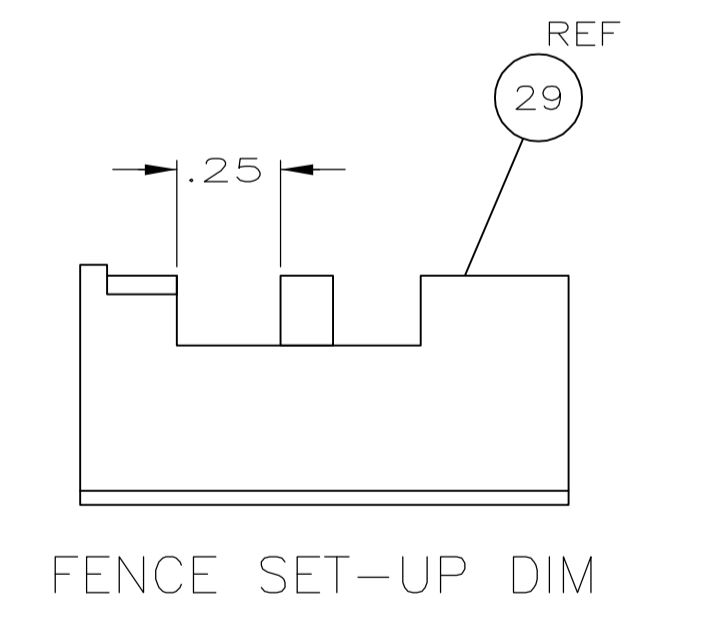
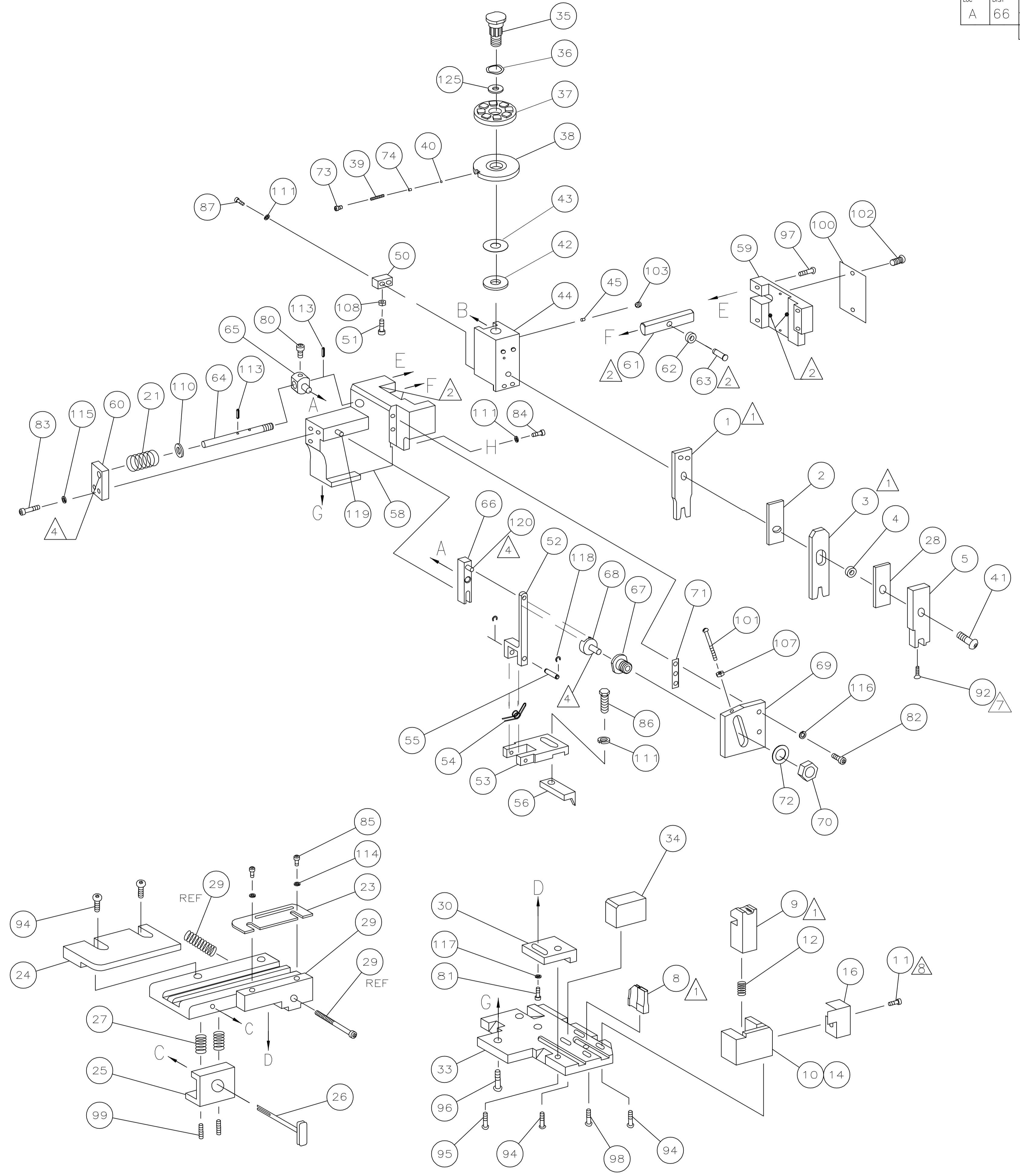
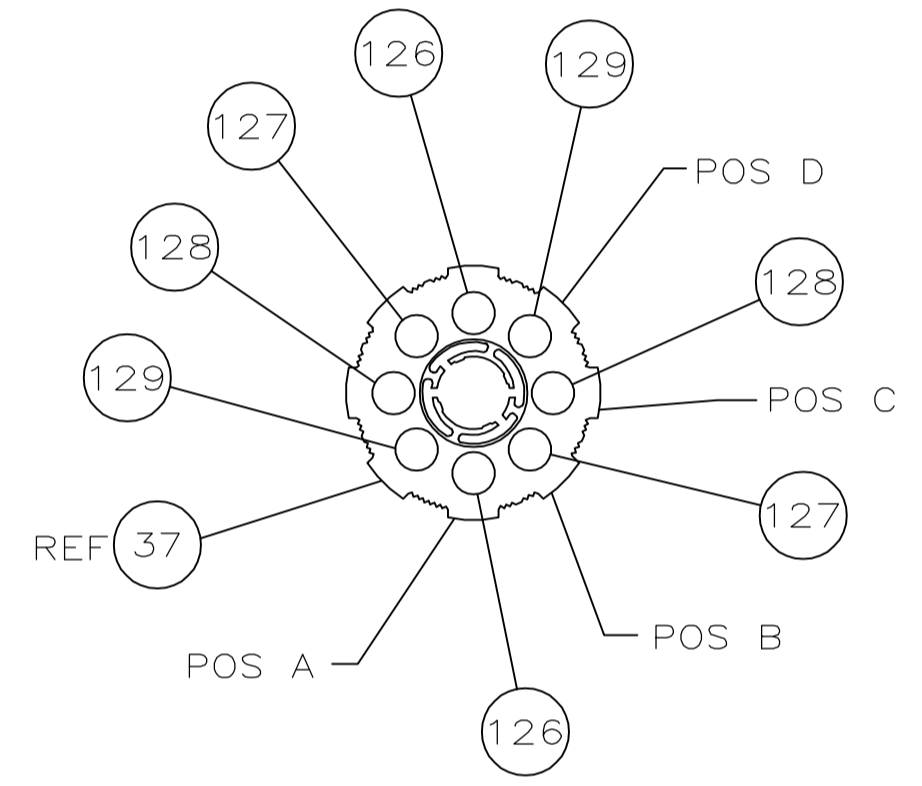


LOC		DIST		REVISIONS			
REV	DATE	BY	APP'D	DESCRIPTION	DATE	BY	APP'D
A	66			SEE SHEET 1			



THIS DRAWING IS A CONTROLLED DOCUMENT.		DWN B.HIGMAN 19MAY99		Tyco Electronics Corporation Harrisburg, PA 17105-3608	
DIMENSIONS: INCHES		TOLERANCES UNLESS OTHERWISE SPECIFIED:		APVD T.ELBIN 19MAY99	
0 PLC ± .01		1 PLC ± .01		NAME SIDE FEED HDM APPLICATOR	
1 PLC ± .01		2 PLC ± .02		PRODUCT SPEC	
2 PLC ± .02		3 PLC ± .02		APPLICATION SPEC	
3 PLC ± .02		4 PLC ± .02		SIZE CASE CODE DRAWING NO	
4 PLC ± .02		ANGLES ± .5		RESTRICTED TO	
MATERIAL		FINISH		WEIGHT F	
				A1 00779 C=680832	
				CUSTOMER DRAWING	
				SCALE - SHEET 2 OF 2 REV C	