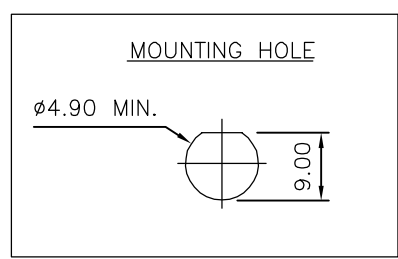
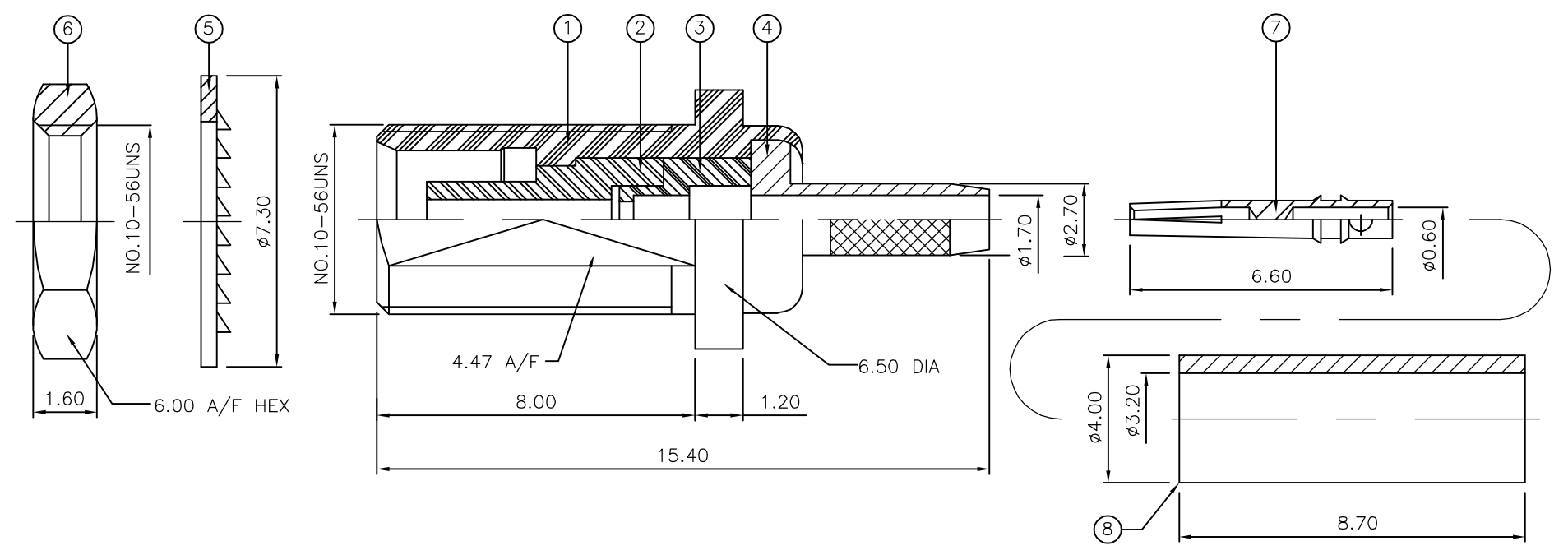


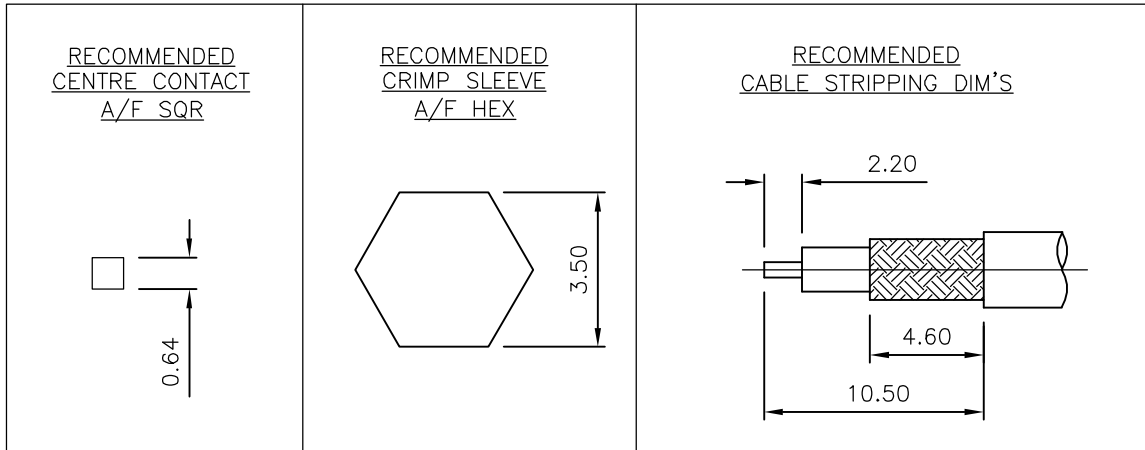
THIS DRAWING IS UNPUBLISHED. RELEASED FOR PUBLICATION FEB ,2006.
 © COPYRIGHT 2006 BY TYCO ELECTRONICS CORPORATION. ALL RIGHTS RESERVED.

LOC	DIST	REVISIONS					
E	B	P	LTR	DESCRIPTION	DATE	DWN	APVD
		C		ECR-06-002568	06FEB06	JMS	FWK

- NOTES:**
- ① PACK IN ACCORDANCE WITH AMP SPEC 107-3275
 - ② 100 TRAY PACK IN ACCORDANCE WITH AMP SPEC 107-3275
 - ③ Au PLATING
 - 4 HAND TOOL : 9-1478240-0
 - 5 DIE SET : 9-1478248-0
 - 6 ELECTRICAL CHARACTERISTICS
 FREQUENCY RANGE: DC - 6 GHz
 NOMINAL IMPEDANCE: 50 Ohm
 INSULATION RESISTANCE: 1000 MOhm
 WORKING VOLTAGE: 335 Volts RMS at Sea Level
 DIELECTRIC WITHSTAND VOLTAGE: 1000 Volts RMS Max
 CONTACT RESISTANCE:
 CENTRE CONTACT: 5.00 mOhm Max
 OUTER CONTACT: 1.00 mOhm Max
 VSWR @ 4GHz: 1.35:1 Max
 INSERTION LOSS dB @ x 1.0 GHz: 0.10 Max
 - 7 MECHANICAL CHARACTERISTICS
 COUPLING NUT RETENTION FORCE: N/A
 CABLE RETENTION FORCE:
 "RG174A/U, 188A/U, 316/U, URM95:" 85N Min
 "RG178B/U, 196A/U:" 25N Min
 MOUNT NUT RECOMMENDED TORQUE: 0.75N
 DURABILITY: 500 Cycles Min
 - 8 ENVIRONMENTAL CHARACTERISTICS
 OPERATING TEMPERATURE: -65 to +165 DegC



QTY	UNIT	MATERIAL	DESCRIPTION	ITEM
1	1	BRASS	FERRULE	8
1	1	BERYLLIUM COPPER	CONTACT	7
1	1	BRASS	HEXAGONAL NUT	6
1	1	BRASS	LOCKWASHER	5
1	1	BRASS	CHASSIS	4
1	1	POLYPROPYLENE	INSULATION	3
1	1	PTFE	INSULATION	2
1	1	BRASS	BODY	1
6--0	1--0	MATERIAL	DESCRIPTION	ITEM
②	①			



THIS DRAWING IS A CONTROLLED DOCUMENT.

DWN	J.SANDWELL	06FEB06	Tyco Electronics Corporation Bideford EX39 4HE
CHK	S.PARLOW	06FEB06	
APVD	F.WHEELER-KING	06FEB06	
PRODUCT SPEC			
APPLICATION SPEC	411-3247		NAME MCX BULKHEAD JACK REAR MOUNT CRIMP 50 OHM RG174A/U, 188A/U, 316/U, URM95, KX3B, KX22A
MATERIAL	SEE TABLE		SIZE A3
FINISH	-		CAGE CODE 00779
			DRAWING NO C-1337588
			RESTRICTED TO -
CUSTOMER DRAWING			SCALE NTS
			SHEET 1 OF 1
			REV C