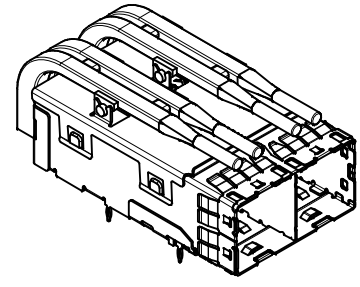
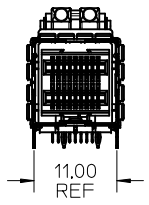
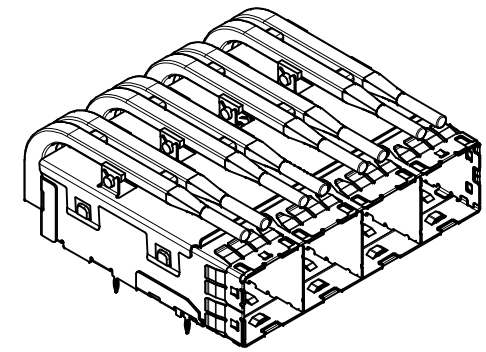
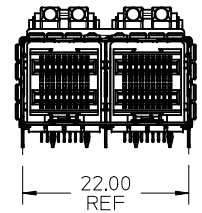


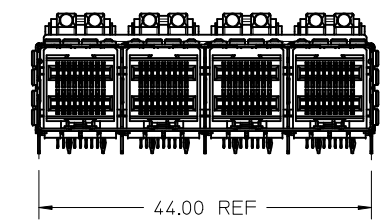
1x1



1x2



1x4



NOTES:

1. MATERIALS:

- CONNECTOR HOUSING: HIGH TEMPERATURE THERMOPLASTIC
GLASS FILLED, UL 94V-0
- EMI CAGE: NICKEL SILVER ALLOY
- EMI CAGE BASE: STAINLESS STEEL
- EMI FINGERS: COPPER ALLOY
- TERMINALS: COPPER ALLOY
- LIGHT PIPES: HALOGEN FREE, CLEAR POLYCARBONATE

2. FINISHES:

- EMI FINGERS: 0.50µM MIN NICKEL
- CONTACT AREA: 0.76µM MIN GOLD OVER 3.81µM MIN NICKEL
- TAIL AREA: 0.76µM-1.52µM TIN OVER 1.27µM MIN NICKEL

3. PRODUCT SPECIFICATION: PS-76866-001

4. PACKAGING SPECIFICATION: PK-76866-001 & PK-76866-002

5. MATES WITH: MOLEX CABLE SERIES 111068, 111073, 111075, 111077

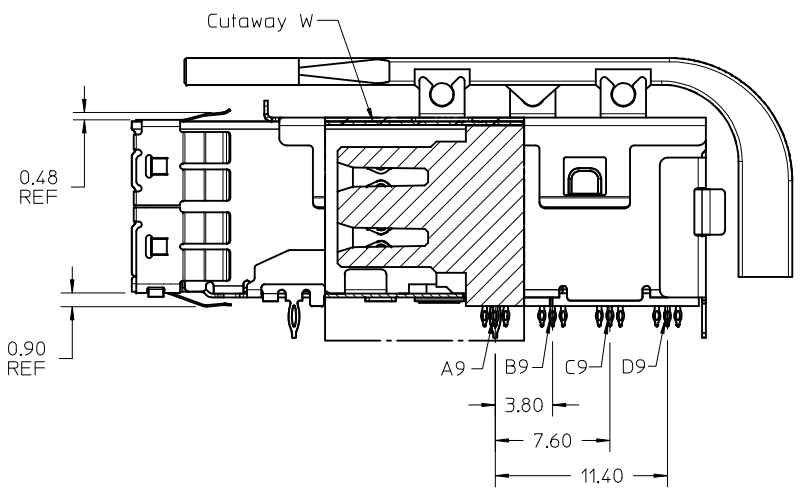
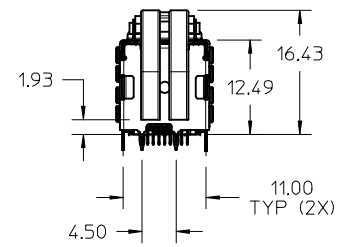
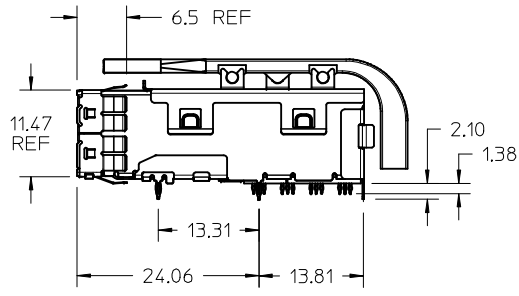
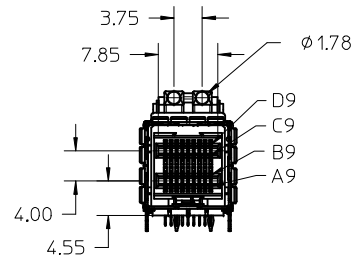
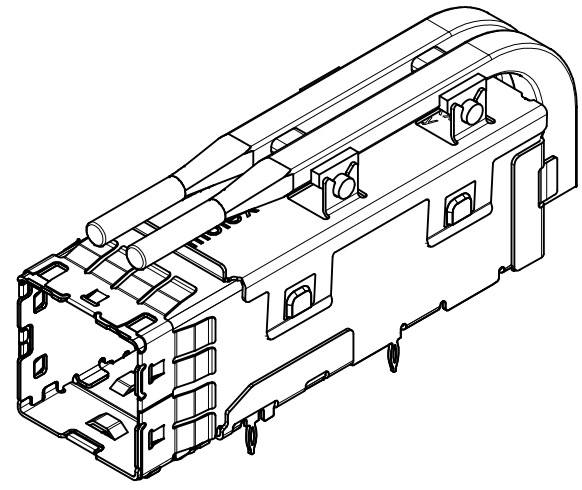
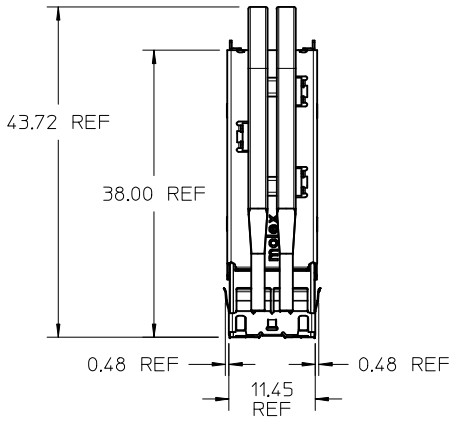
6. RECOMMENDED MOUNTING HARDWARE: REFER TO APPLICATION SPECIFICATION AS-76866-001

7. THIS PART CONFORMS TO CLASS C REQUIREMENTS OF MOLEX COSMETIC SPECIFICATION PS-45499-002

8. PLUG MODULE PCB LAYOUT REFER TO SD-76866-9900

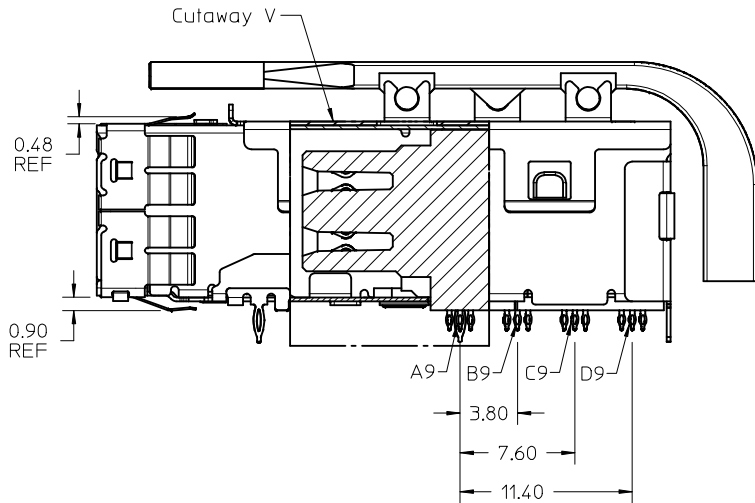
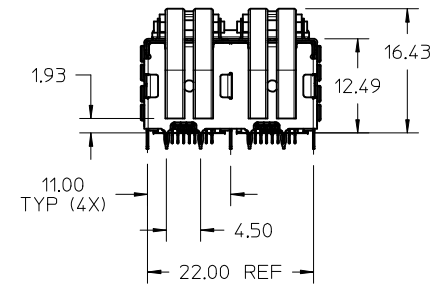
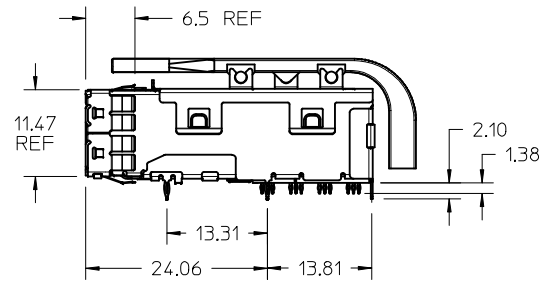
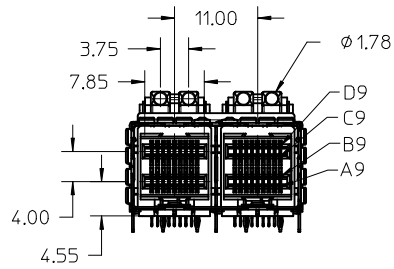
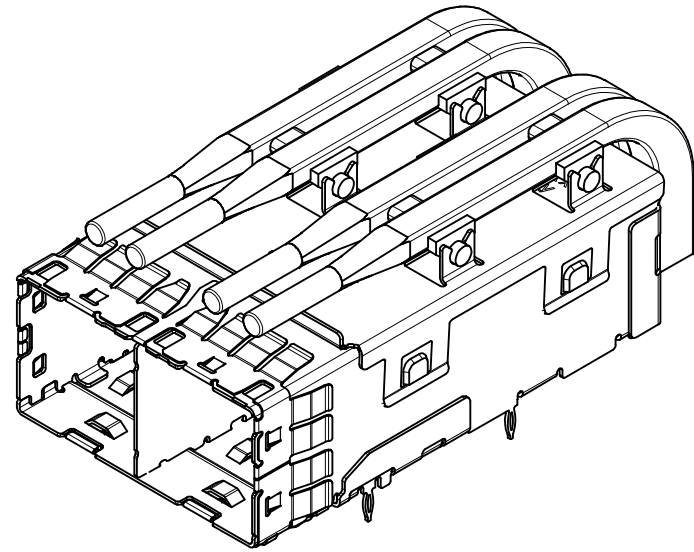
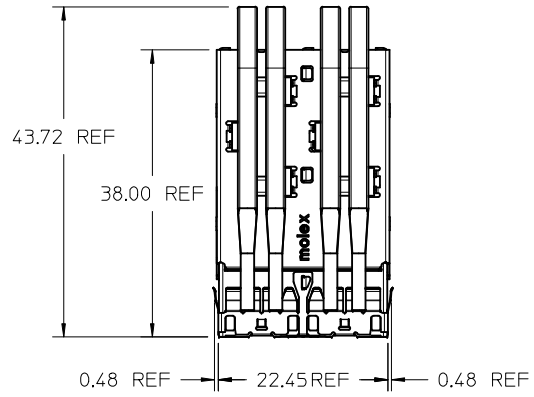
CONFIGURATION	MATERIAL NO.
1 x 1	76866-1121
1 x 4	76866-1123
1 x 2	76866-1125

ADDED PF NUT CAGE EC NO: UCP2016-0275 DRWN:TMCCLELL 2016/01/07 CHKD:TMCCLELLAND 2016/07/06 APPR:SMILLER 2016/07/06	QUALITY SYMBOLS	GENERAL TOLERANCES (UNLESS SPECIFIED)	DIMENSION STYLE MM ONLY	SCALE 2:1	DESIGN UNITS METRIC	THIRD ANGLE PROJECTION
	▽=0	mm INCH	DRAWN BY DATE KLANG 2011/12/08	TITLE IPASS PLUS HD - 12G EXTERNAL ASSEMBLY WITH LIGHT PIPES		DOCUMENT NO. SD-76866-1001 SHEET NO. 1 OF 12
	▽=0	4 PLACES ± --- ± ---	CHECKED BY DATE MBANAKIS 2011/12/08			
	▽=0	3 PLACES ± --- ± ---	APPROVED BY DATE TMCCLELL 2012/09/26			
		2 PLACES ± 0.13 ± ---				
	1 PLACE ± 0.25 ± ---					
	0 PLACE ± ±					
	ANGULAR ±1/2°	DRAFT WHERE APPLICABLE MUST REMAIN WITHIN DIMENSIONS	SEE CHART			
			THIS DRAWING CONTAINS INFORMATION THAT IS PROPRIETARY TO MOLEX INCORPORATED AND SHOULD NOT BE USED WITHOUT WRITTEN PERMISSION			



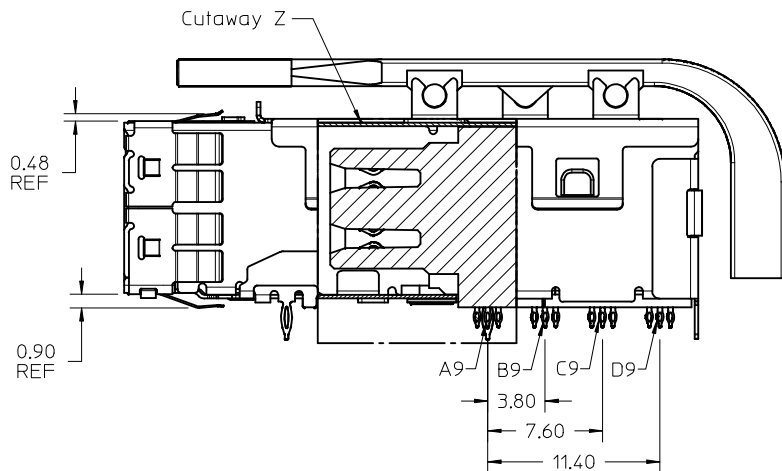
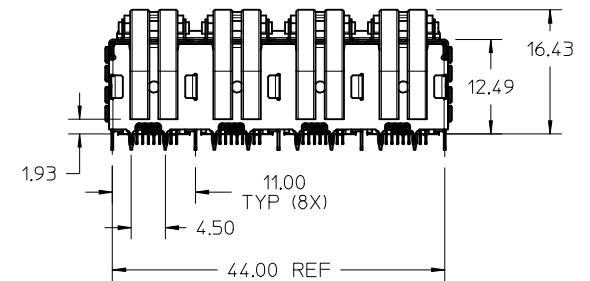
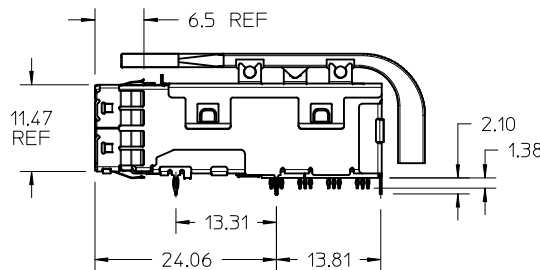
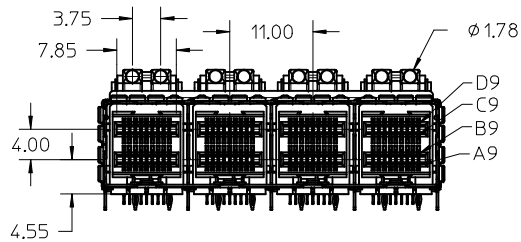
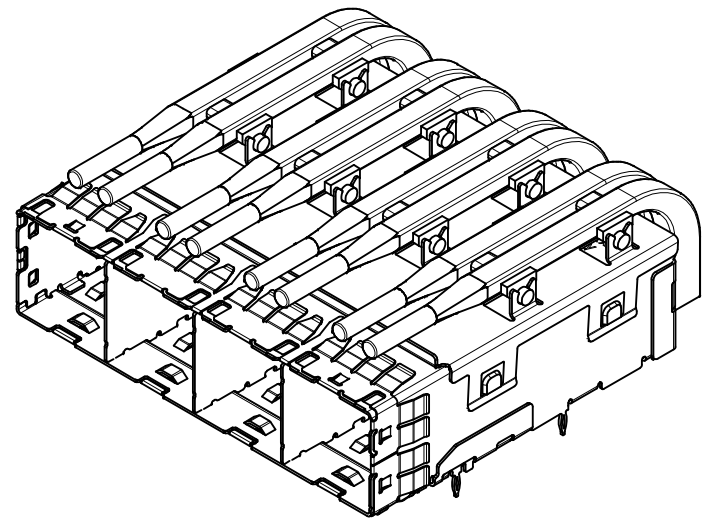
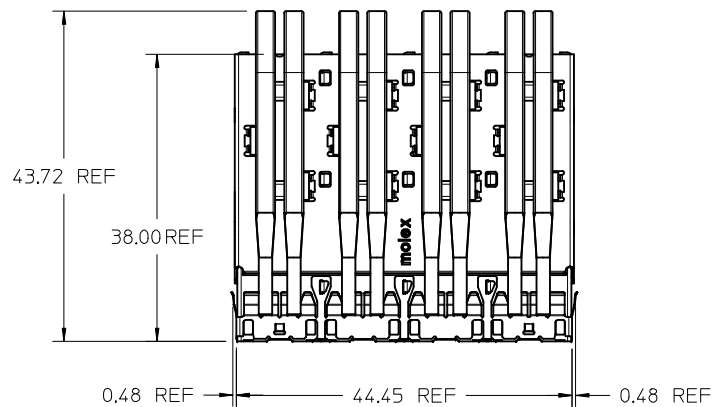
1X1 ASSEMBLY

SEE SHEET 1 EC NO: UCP2016-0275 DRWN:TMCCLELL 2016/01/07 CHKD:TMCCLELLAND 2016/07/06 APPR:SMILLER 2016/07/06	QUALITY SYMBOLS ▽=0 ▽=0 ▽=0	GENERAL TOLERANCES (UNLESS SPECIFIED)		DIMENSION STYLE MM ONLY		SCALE 2:1	DESIGN UNITS METRIC	THIRD ANGLE PROJECTION	
		4 PLACES ±	mm	INCH	DRAWN BY KLANG	DATE 2011/12/08	IPASS PLUS HD - 12G EXTERNAL ASSEMBLY WITH LIGHT PIPES molex	DOCUMENT NO. SD-76866-1001	SHEET NO. 2 OF 12
3 PLACES ±			CHECKED BY MBANAK I S	DATE 2011/12/08					
2 PLACES ±0.13			APPROVED BY TMCCLELL	DATE 2012/09/26					
1 PLACE ±0.25									
0 PLACE ±					MATERIAL NO. SEE CHART				
ANGULAR ±1/2°			DRAFT WHERE APPLICABLE MUST REMAIN WITHIN DIMENSIONS						
SIZE			THIS DRAWING CONTAINS INFORMATION THAT IS PROPRIETARY TO MOLEX INCORPORATED AND SHOULD NOT BE USED WITHOUT WRITTEN PERMISSION						



1X2 ASSEMBLY

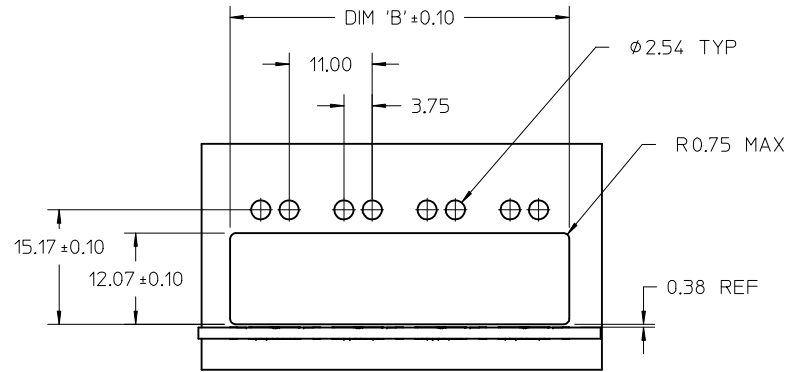
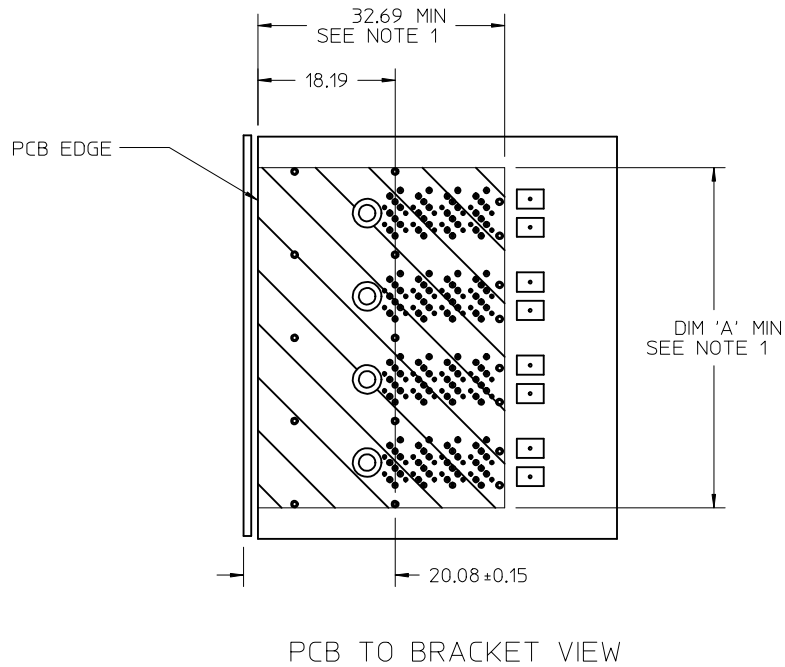
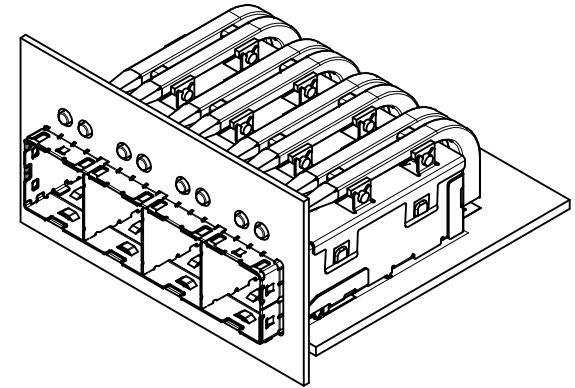
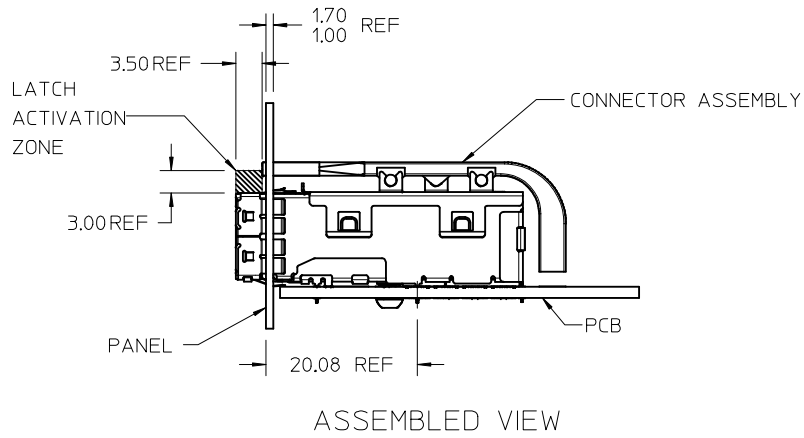
SEE SHEET 1 EC NO: UCP2016-0275 DRAWN: TMCCLELL 2016/01/07 CHKD: TMCCLELL AND 2016/07/06 APPR: SMILLER 2016/07/06	QUALITY SYMBOLS ▽=0 ▽=0 ▽=0	GENERAL TOLERANCES (UNLESS SPECIFIED)		DIMENSION STYLE MM ONLY		SCALE 2:1	DESIGN UNITS METRIC	THIRD ANGLE PROJECTION	
		4 PLACES ± ---	± ---	mm	INCH	DRAWN BY KLANG	DATE 2011/12/08	IPASS PLUS HD - 12G EXTERNAL ASSEMBLY WITH LIGHT PIPES molex	
3 PLACES ± ---	± ---	ANGULAR ±1/2°		DRAWN BY		DATE	DOCUMENT NO. SD-76866-1001		
2 PLACES ± 0.13	± ---			DRAWN BY		DATE			
1 PLACE ± 0.25	± ---	DRAFT WHERE APPLICABLE MUST REMAIN WITHIN DIMENSIONS		CHECKED BY MBANAKIS		DATE 2011/12/08	THIS DRAWING CONTAINS INFORMATION THAT IS PROPRIETARY TO MOLEX INCORPORATED AND SHOULD NOT BE USED WITHOUT WRITTEN PERMISSION		
0 PLACE ±	±	DRAFT WHERE APPLICABLE MUST REMAIN WITHIN DIMENSIONS		APPROVED BY TMCCLELL		DATE 2012/09/26			



1X4 ASSEMBLY

SEE SHEET 1 EC NO: UCP2016-0275 DRWN:TMCCLELL 2016/01/07 CHKD:TMCCLELLAND 2016/07/06 APPR:SMILLER 2016/07/06	QUALITY SYMBOLS ▽=0 ▽=0 ▽=0	GENERAL TOLERANCES (UNLESS SPECIFIED)		DIMENSION STYLE MM ONLY		SCALE 2:1	DESIGN UNITS METRIC	THIRD ANGLE PROJECTION
		DRAWN BY DATE KLANG 2011/12/08		CHECKED BY DATE MBANAKIS 2011/12/08		APPROVED BY DATE TMCCLELL 2012/09/26		TITLE IPASS PLUS HD - 12G EXTERNAL ASSEMBLY WITH LIGHT PIPES molex DOCUMENT NO. SD-76866-1001
4 PLACES ± --- ± ---		mm INCH		MATERIAL NO. SEE CHART		SHEET NO. 4 OF 12		
3 PLACES ± --- ± ---		ANGULAR ±1/2°		SIZE C		THIS DRAWING CONTAINS INFORMATION THAT IS PROPRIETARY TO MOLEX. INCORPORATED AND SHOULD NOT BE USED WITHOUT WRITTEN PERMISSION		
2 PLACES ± 0.13 ± ---		DRAFT WHERE APPLICABLE MUST REMAIN WITHIN DIMENSIONS						
1 PLACE ± 0.25 ± ---								
0 PLACE ± ±								

PANEL APPLICATION

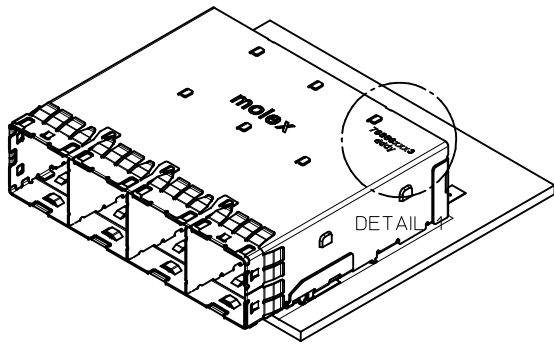


CONFIGURATION	DIM 'A' (MIN)	DIM 'B' (±0.10)
1 X 1	12.00	11.90
1 X 2	23.00	22.90
1 X 4	45.00	44.90

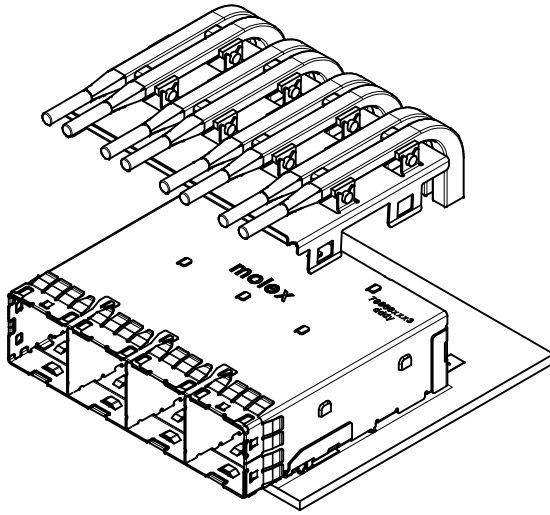
NOTES:
 1. CONNECTOR KEEP OUT ZONE: PCB COMPONENTS ARE NOT ALLOWED IN THIS AREA.

SEE SHEET 1 EC NO: UCP2016-0275 DRWN:TMCCLELL 2016/01/07 CHKD:TMCCLELLAND 2016/07/06 APPR:SMILLER 2016/07/06	QUALITY SYMBOLS	GENERAL TOLERANCES (UNLESS SPECIFIED)	DIMENSION STYLE MM ONLY	SCALE 2:1	DESIGN UNITS METRIC	THIRD ANGLE PROJECTION
	▽=0	4 PLACES ± --- ± ---	mm INCH	DRAWN BY DATE KLANG 2011/12/08	IPASS PLUS HD - 12G EXTERNAL ASSEMBLY WITH LIGHT PIPES molex DOCUMENT NO. SD-76866-1001 SHEET NO. 5 OF 12	
	▽=0	3 PLACES ± --- ± ---		CHECKED BY DATE MBANAKIS 2011/12/08		
	▽=0	2 PLACES ± 0.13 ± ---		APPROVED BY DATE TMCCLELL 2012/09/26		
	1 PLACE ± 0.25 ± ---		MATERIAL NO.			
		0 PLACE ± ±				
		ANGULAR ±1/2°				
		DRAFT WHERE APPLICABLE MUST REMAIN WITHIN DIMENSIONS	SIZE	THIS DRAWING CONTAINS INFORMATION THAT IS PROPRIETARY TO MOLEX INCORPORATED AND SHOULD NOT BE USED WITHOUT WRITTEN PERMISSION		

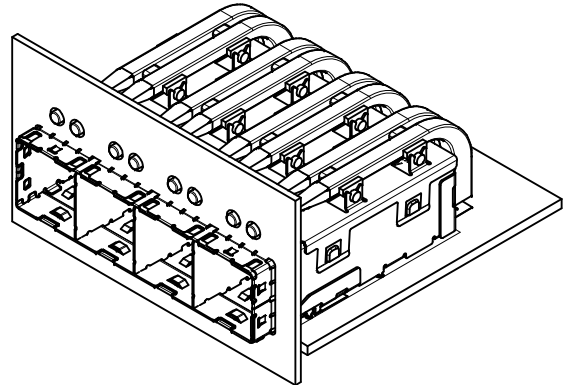
APPLICATION VIEWS



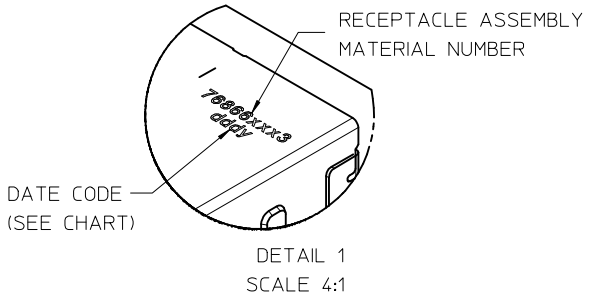
SEATED RECEPTACLE ASSEMBLY ON PCB



LIGHT PIPE INSTALLATION TO RECEPTACLE ASSEMBLY



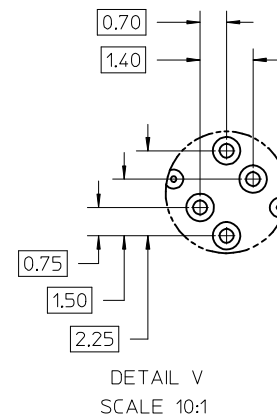
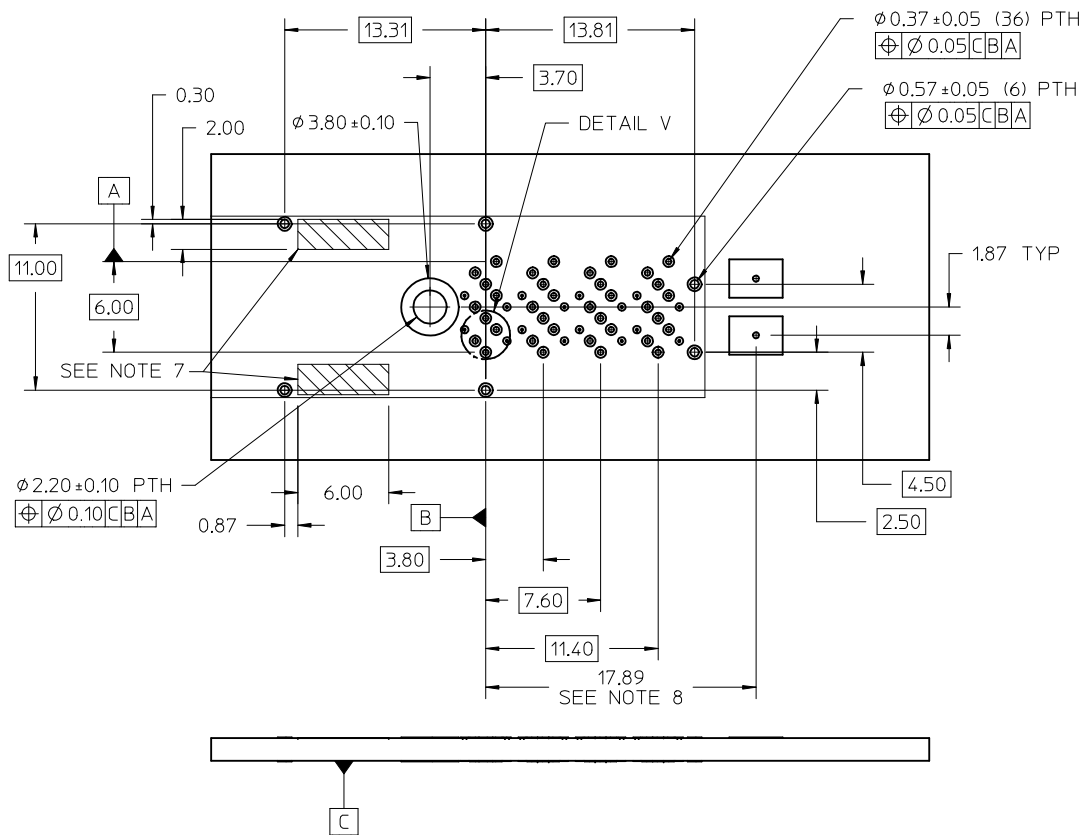
INSTALLED APPLICATION



MEXICO	DDDY
CHINA	MSHDDY
MANUFACTURING LOCATION	DATE CODE
DESIGN UNITS METRIC	THIRD ANGLE PROJECTION

SEE SHEET 1 EC NO: UCP2016-0275 DRWN:TMCCLELL 2016/01/07 CHKD:TMCCLELLAND 2016/07/06 APPR:SMILLER 2016/07/06	QUALITY SYMBOLS	GENERAL TOLERANCES (UNLESS SPECIFIED)	DIMENSION STYLE MM ONLY	SCALE 2:1	TITLE IPASS PLUS HD - 12G EXTERNAL ASSEMBLY WITH LIGHT PIPES molex DOCUMENT NO. SD-76866-1001 SHEET NO. 6 OF 12
	▽=0	mm INCH	DRAWN BY DATE	MATERIAL NO. SEE CHART	
	▽=0	4 PLACES ± --- ± ---	CHECKED BY DATE		
	▽=0	3 PLACES ± --- ± ---	MBANAKIS 2011/12/08	APPROVED BY DATE TMCCLELL 2012/09/26	
	▽=0	2 PLACES ± 0.13 ± ---			
	1 PLACE ± 0.25 ± ---				
	0 PLACE ± ±				
	ANGULAR ±1/2°	DRAFT WHERE APPLICABLE MUST REMAIN WITHIN DIMENSIONS	SIZE		

1X1 RECOMMENDED FOOTPRINT

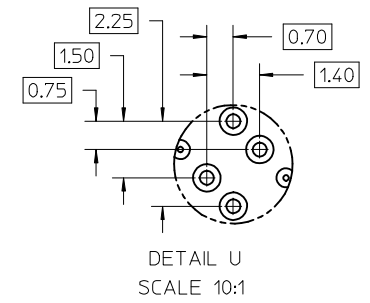
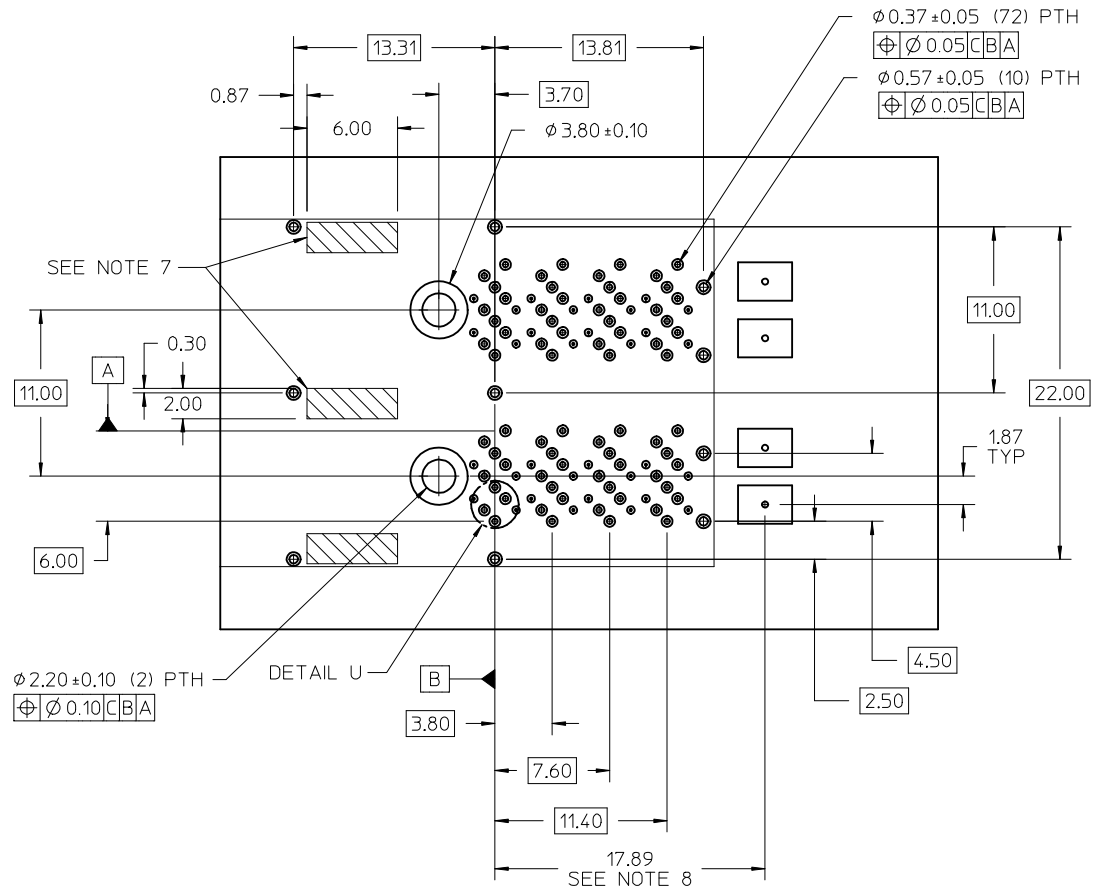


NOTES:

- FOR RECOMMENDED DRILL SIZE FOR 0.37ϕ FINISHED PTH - REFER TO APPLICATION SPECIFICATION
- RECOMMENDED ANNULAR RING AROUND 0.37ϕ FINISHED PTH - REFER TO APPLICATION SPECIFICATION
- MINIMUM RECOMMENDED SPACING: 14.00MM
- MINIMUM PCB THICKNESS: 1.57MM
- RECOMMENDED DRILL SIZE FOR 0.57ϕ FINISHED PTH - REFER TO APPLICATION SPECIFICATION
- RECOMMENDED ANNULAR RING AROUND 0.57ϕ FINISHED PTH - REFER TO APPLICATION SPECIFICATION
- CAGE KEEP OUT ZONE: TRACES AND VIAS ARE NOT ALLOWED ON SURFACE OF PCB IN THESE AREAS.
- LOCATION OF LED CENTERLINE

SEE SHEET 1 EC NO: UCP2016-0275 DRAWN: TMCCLELL 2016/01/07 CHKD: TMCCLELL AND 2016/07/06 APPR: SMILLER 2016/07/06	QUALITY SYMBOLS ▽=0 ▽=0 ▽=0	GENERAL TOLERANCES (UNLESS SPECIFIED)		DIMENSION STYLE MM ONLY	SCALE 4:1	DESIGN UNITS METRIC	THIRD ANGLE PROJECTION											
		4 PLACES ± --- ± ---	3 PLACES ± --- ± ---	2 PLACES ± 0.13 ± ---	1 PLACE ± 0.25 ± ---	0 PLACE ± ±	ANGULAR ±1/2°	DRAFT WHERE APPLICABLE MUST REMAIN WITHIN DIMENSIONS	DRAWN BY KLANG	DATE 2011/12/08	CHECKED BY MBANAK IS	DATE 2011/12/08	APPROVED BY TMCCLELL	DATE 2012/09/26	TITLE IPASS PLUS HD - 12G EXTERNAL ASSEMBLY WITH LIGHT PIPES	molex	MATERIAL NO. SEE CHART	DOCUMENT NO. SD-76866-1001
THIS DRAWING CONTAINS INFORMATION THAT IS PROPRIETARY TO MOLEX INCORPORATED AND SHOULD NOT BE USED WITHOUT WRITTEN PERMISSION																		

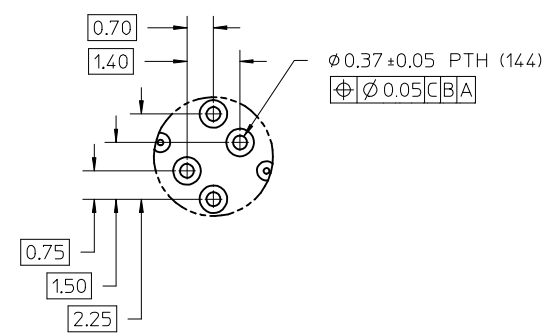
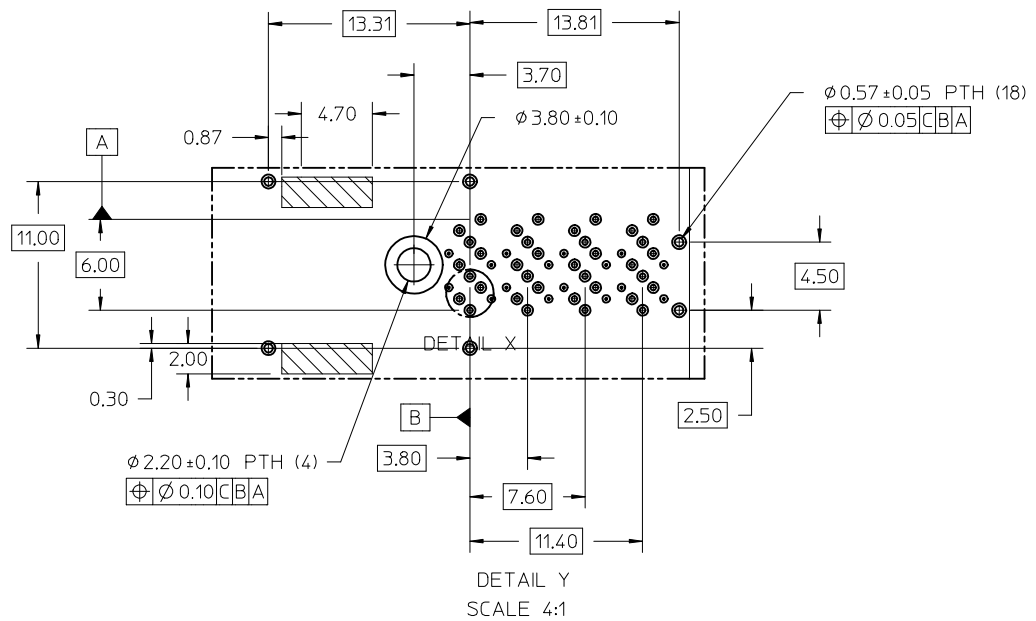
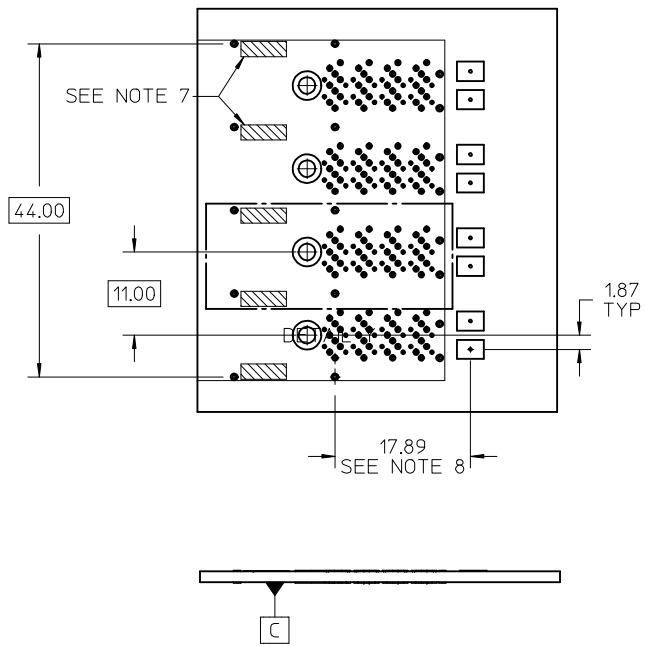
1X2 RECOMMENDED FOOTPRINT



- NOTES:
1. RECOMMENDED DRILL SIZE FOR 0.37 ϕ FINISHED PTH - REFER TO APPLICATION SPECIFICATION
 2. RECOMMENDED ANNULAR RING AROUND 0.37 ϕ FINISHED PTH - REFER TO APPLICATION SPECIFICATION
 3. MINIMUM RECOMMENDED SPACING: 25.00MM
 4. MINIMUM PCB THICKNESS: 1.57MM
 5. RECOMMENDED DRILL SIZE FOR 0.57 ϕ FINISHED PTH - REFER TO APPLICATION SPECIFICATION
 6. RECOMMENDED ANNULAR RING AROUND 0.57 ϕ FINISHED PTH - REFER TO APPLICATION SPECIFICATION
 7. CAGE KEEP OUT ZONE: TRACES AND VIAS ARE NOT ALLOWED ON SURFACE OF PCB IN THESE AREAS.
 8. LOCATION OF LED CENTERLINE

SEE SHEET 1 EC NO: UCP2016-0275 DRWN:TMCCLELL 2016/01/07 CHKD:TMCCLELLAND 2016/07/06 APPR:SMILLER 2016/07/06	QUALITY SYMBOLS ▽=0 ▽=0 ▽=0	GENERAL TOLERANCES (UNLESS SPECIFIED) mm INCH 4 PLACES ± --- ± --- 3 PLACES ± --- ± --- 2 PLACES ± 0.13 ± --- 1 PLACE ± 0.25 ± --- 0 PLACE ± ±	DIMENSION STYLE MM ONLY DRAWN BY DATE KLANG 2011/12/08 CHECKED BY DATE MBANAKIS 2011/12/08 APPROVED BY DATE TMCCLELL 2012/09/26	SCALE 4:1 TITLE IPASS PLUS HD - 12G EXTERNAL ASSEMBLY WITH LIGHT PIPES molex DOCUMENT NO. SD-76866-1001	DESIGN UNITS METRIC THIRD ANGLE PROJECTION	SHEET NO. 8 OF 12	
	DRAFT WHERE APPLICABLE MUST REMAIN WITHIN DIMENSIONS	ANGULAR ±1/2°	MATERIAL NO. SEE CHART	THIS DRAWING CONTAINS INFORMATION THAT IS PROPRIETARY TO MOLEX INCORPORATED AND SHOULD NOT BE USED WITHOUT WRITTEN PERMISSION			
	REV	DESCRIPTION	SIZE C				

1X4 RECOMMENDED FOOTPRINT




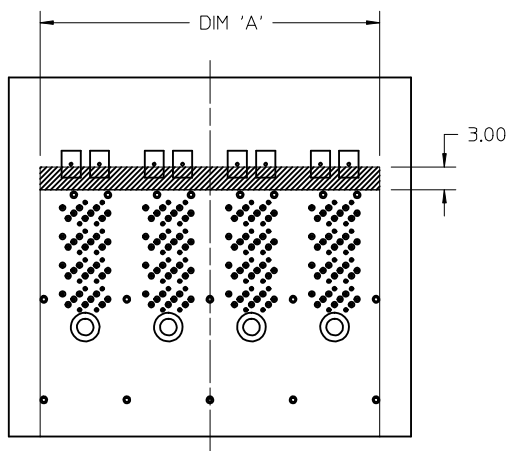
NOTES:


1. RECOMMENDED DRILL SIZE FOR 0.37 ϕ FINISHED PTH - REFER TO APPLICATION SPECIFICATION
2. RECOMMENDED ANNULAR RING AROUND 0.37 ϕ FINISHED PTH - REFER TO APPLICATION SPECIFICATION
3. MINIMUM RECOMMENDED SPACING: 47.00MM
4. MINIMUM PCB THICKNESS: 1.57MM
5. RECOMMENDED DRILL SIZE FOR 0.57 ϕ FINISHED PTH - REFER TO APPLICATION SPECIFICATION
6. RECOMMENDED ANNULAR RING AROUND 0.57 ϕ FINISHED PTH - REFER TO APPLICATION SPECIFICATION
7. CAGE KEEP OUT ZONE: TRACES AND VIAS ARE NOT ALLOWED ON SURFACE OF PCB IN THESE AREAS.
8. LOCATION OF LED CENTERLINE

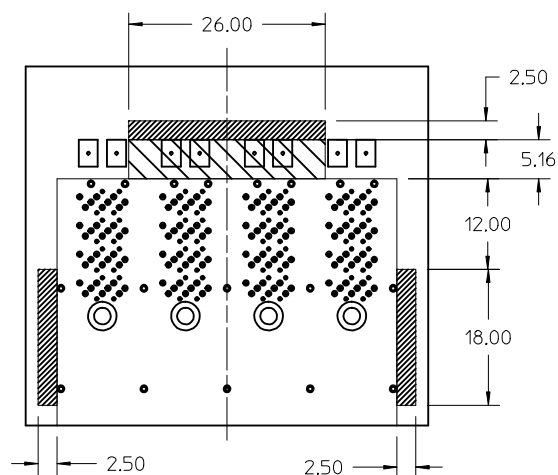
SEE SHEET 1 EC NO: UCP2016-0275 DRWN:TMCCLELL 2016/01/07 CHKD:TMCCLELLAND 2016/07/06 APPR:SMILLER 2016/07/06	QUALITY SYMBOLS	GENERAL TOLERANCES (UNLESS SPECIFIED)	DIMENSION STYLE MM ONLY	SCALE 2:1	DESIGN UNITS METRIC	THIRD ANGLE PROJECTION
	▽=0	mm INCH	DRAWN BY DATE	TITLE		
	▽=0	4 PLACES ± --- ± ---	KLANG 2011/12/08	IPASS PLUS HD - 12G EXTERNAL ASSEMBLY WITH LIGHT PIPES		
	▽=0	3 PLACES ± --- ± ---	CHECKED BY DATE	molex DOCUMENT NO. SD-76866-1001 SHEET NO. 9 OF 12		
▽=0	2 PLACES ± 0.13 ± ---	MBANAKIS 2011/12/08				
	1 PLACE ± 0.25 ± ---	APPROVED BY DATE	THIS DRAWING CONTAINS INFORMATION THAT IS PROPRIETARY TO MOLEX INCORPORATED AND SHOULD NOT BE USED WITHOUT WRITTEN PERMISSION			
	0 PLACE ± ±	TMCCLELL 2012/09/26				
	ANGULAR ±1/2°	MATERIAL NO.	SEE CHART			
	DRAFT WHERE APPLICABLE MUST REMAIN WITHIN DIMENSIONS	SIZE				

RECOMMENDED TOOLING KEEP OUT AREAS

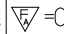
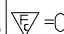
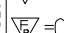
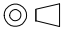

 RECOMMENDED INSERTION TOOL
 KEEP OUT AREA
 NO COMPONENTS IN THIS AREA
 MORE THAN 7.50 mm TALL



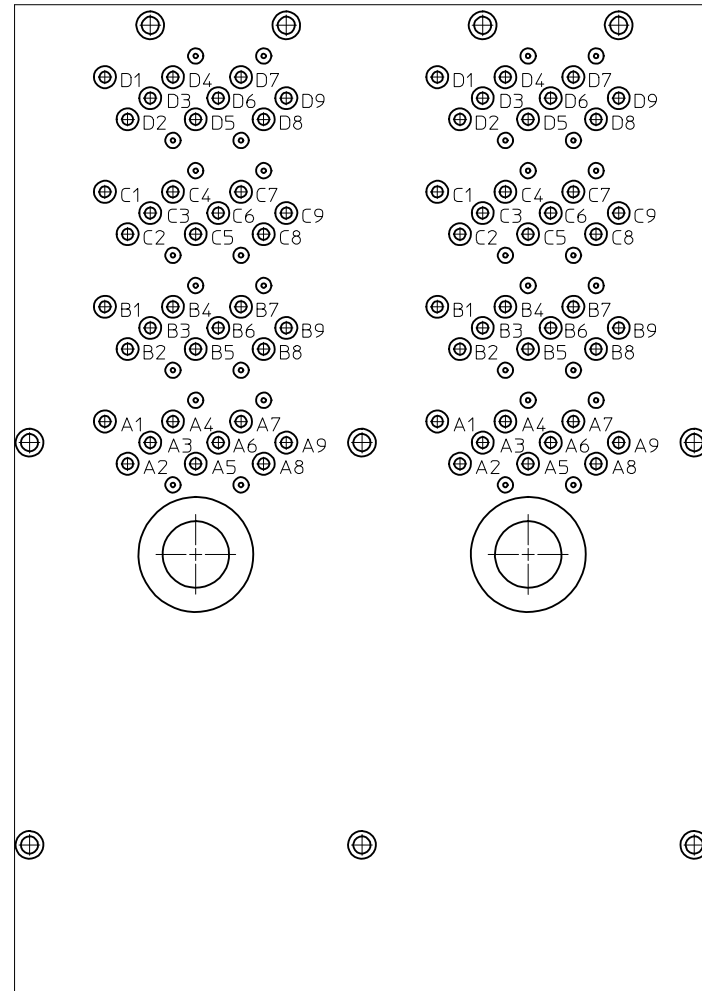
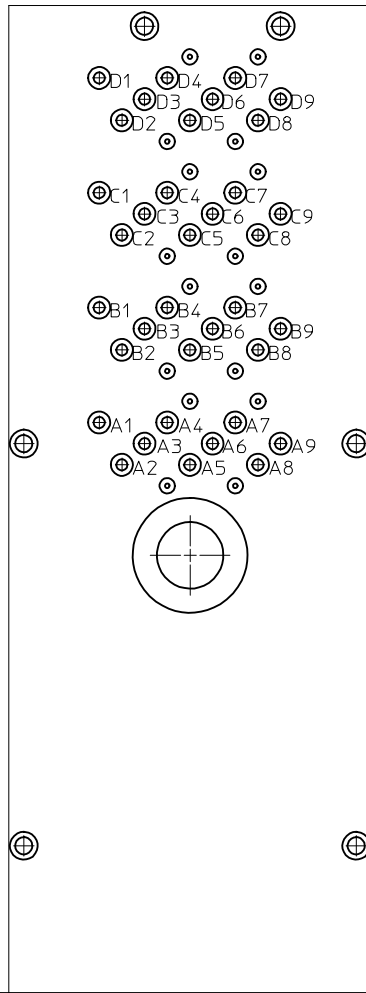
 RECOMMENDED EXTRACTION TOOL
 KEEP OUT AREA
 NO COMPONENTS IN THESE AREAS
 NO COMPONENTS IN THIS AREA
 MORE THAN 5.00 mm TALL



CONFIGURATION	DIM 'A' (MIN)
1 X 1	12.00
1 X 2	23.00
1 X 4	45.00

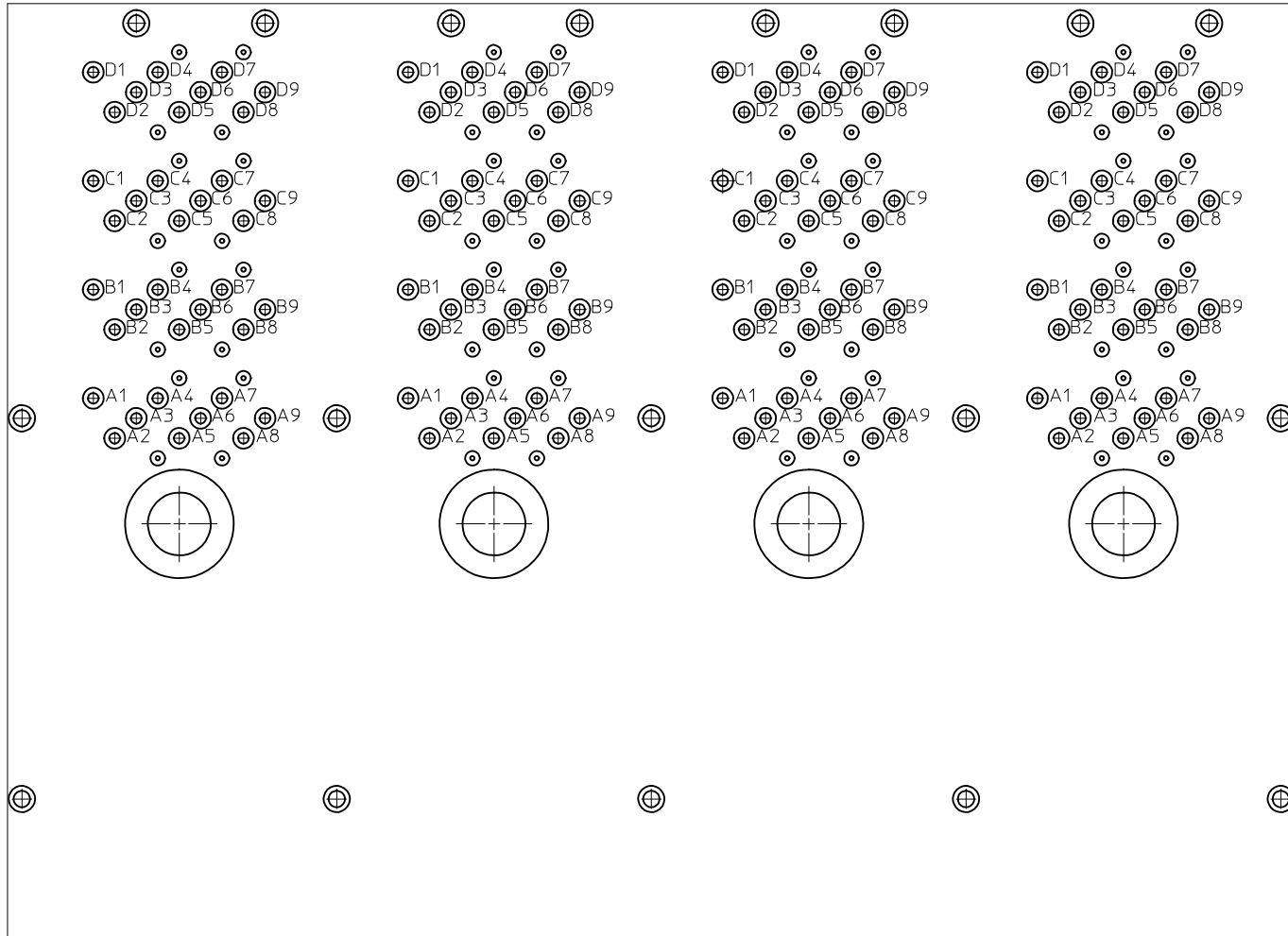
SEE SHEET 1 EC NO: UCP2016-0275 DRWN:TMCCLELL 2016/01/07 CHKD:TMCCLELLAND 2016/07/06 APPR:SMILLER 2016/07/06	QUALITY SYMBOLS  = 0  = 0  = 0	GENERAL TOLERANCES (UNLESS SPECIFIED) <table border="1"> <thead> <tr> <th></th> <th>mm</th> <th>INCH</th> </tr> </thead> <tbody> <tr> <td>4 PLACES</td> <td>± 0.13</td> <td>± 0.005</td> </tr> <tr> <td>3 PLACES</td> <td>± 0.25</td> <td>± 0.010</td> </tr> <tr> <td>2 PLACES</td> <td>± 0.38</td> <td>± 0.015</td> </tr> <tr> <td>1 PLACE</td> <td>± 0.51</td> <td>± 0.020</td> </tr> <tr> <td>0 PLACE</td> <td>± 0.64</td> <td>± 0.025</td> </tr> </tbody> </table>		mm	INCH	4 PLACES	± 0.13	± 0.005	3 PLACES	± 0.25	± 0.010	2 PLACES	± 0.38	± 0.015	1 PLACE	± 0.51	± 0.020	0 PLACE	± 0.64	± 0.025	DIMENSION STYLE MM ONLY DRAWN BY DATE KLANG 2011/12/08 CHECKED BY DATE MBANAKIS 2011/12/08 APPROVED BY DATE TMCCLELL 2012/09/26	SCALE 2:1 DESIGN UNITS METRIC  THIRD ANGLE PROJECTION	TITLE IPASS PLUS HD - 12G EXTERNAL ASSEMBLY WITH LIGHT PIPES 	MATERIAL NO. SEE CHART DOCUMENT NO. SD-76866-1001 SHEET NO. 10 OF 12
		mm	INCH																					
	4 PLACES	± 0.13	± 0.005																					
	3 PLACES	± 0.25	± 0.010																					
2 PLACES	± 0.38	± 0.015																						
1 PLACE	± 0.51	± 0.020																						
0 PLACE	± 0.64	± 0.025																						
DRAFT WHERE APPLICABLE MUST REMAIN WITHIN DIMENSIONS		THIS DRAWING CONTAINS INFORMATION THAT IS PROPRIETARY TO MOLEX INCORPORATED AND SHOULD NOT BE USED WITHOUT WRITTEN PERMISSION																						

1X1 & 1X2 FOOTPRINT CIRCUIT IDENTIFICATION



SEE SHEET 1 EC NO: UCP2016-0275 DRWN:TMCCLELL 2016/01/07 CHKD:TMCCLELLAND 2016/07/06 APPR:SMILLER 2016/07/06	QUALITY SYMBOLS	GENERAL TOLERANCES (UNLESS SPECIFIED)		DIMENSION STYLE	SCALE	DESIGN UNITS	THIRD ANGLE PROJECTION
	▽=0			MM ONLY	8:1	METRIC	
	▽=0			DRAWN BY DATE	TITLE IPASS PLUS HD - 12G EXTERNAL ASSEMBLY WITH LIGHT PIPES molex DOCUMENT NO. SD-76866-1001 SHEET NO. 11 OF 12		
	▽=0			CHECKED BY DATE			
▽=0			APPROVED BY DATE				
▽=0			MATERIAL NO.				
REVISION	DESCRIPTION	ANGULAR ±1/2°		SIZE	THIS DRAWING CONTAINS INFORMATION THAT IS PROPRIETARY TO MOLEX. INCORPORATED AND SHOULD NOT BE USED WITHOUT WRITTEN PERMISSION		
		DRAFT WHERE APPLICABLE MUST REMAIN WITHIN DIMENSIONS		C			

1X4 FOOTPRINT CIRCUIT IDENTIFICATION



SEE SHEET 1 EC NO: UCP2016-0275 DRWN:TMCCLELL 2016/01/07 CHKD:TMCCLELLAND 2016/07/06 APPR:SMILLER 2016/07/06	QUALITY SYMBOLS	GENERAL TOLERANCES (UNLESS SPECIFIED)		DIMENSION STYLE	SCALE	DESIGN UNITS	THIRD ANGLE PROJECTION																														
	▽=0			MM ONLY	8:1	METRIC																															
	▽=0	<table border="1"> <thead> <tr> <th></th> <th>mm</th> <th>INCH</th> </tr> </thead> <tbody> <tr> <td>4 PLACES</td> <td>± ---</td> <td>± ---</td> </tr> <tr> <td>3 PLACES</td> <td>± ---</td> <td>± ---</td> </tr> <tr> <td>2 PLACES</td> <td>± 0.13</td> <td>± ---</td> </tr> <tr> <td>1 PLACE</td> <td>± 0.25</td> <td>± ---</td> </tr> <tr> <td>0 PLACE</td> <td>±</td> <td>±</td> </tr> </tbody> </table>			mm	INCH	4 PLACES	± ---	± ---	3 PLACES	± ---	± ---	2 PLACES	± 0.13	± ---	1 PLACE	± 0.25	± ---	0 PLACE	±	±	<table border="1"> <thead> <tr> <th>DRAWN BY</th> <th>DATE</th> </tr> </thead> <tbody> <tr> <td>KLANG</td> <td>2011/12/08</td> </tr> <tr> <th>CHECKED BY</th> <th>DATE</th> </tr> <tr> <td>MBANAKIS</td> <td>2011/12/08</td> </tr> <tr> <th>APPROVED BY</th> <th>DATE</th> </tr> <tr> <td>TMCCLELL</td> <td>2012/09/26</td> </tr> </tbody> </table>	DRAWN BY	DATE	KLANG	2011/12/08	CHECKED BY	DATE	MBANAKIS	2011/12/08	APPROVED BY	DATE	TMCCLELL	2012/09/26	TITLE IPASS PLUS HD - 12G EXTERNAL ASSEMBLY WITH LIGHT PIPES		
		mm	INCH																																		
4 PLACES	± ---	± ---																																			
3 PLACES	± ---	± ---																																			
2 PLACES	± 0.13	± ---																																			
1 PLACE	± 0.25	± ---																																			
0 PLACE	±	±																																			
DRAWN BY	DATE																																				
KLANG	2011/12/08																																				
CHECKED BY	DATE																																				
MBANAKIS	2011/12/08																																				
APPROVED BY	DATE																																				
TMCCLELL	2012/09/26																																				
▽=0	ANGULAR ±1/2° DRAFT WHERE APPLICABLE MUST REMAIN WITHIN DIMENSIONS		MATERIAL NO. SEE CHART	DOCUMENT NO. SD-76866-1001	SHEET NO. 12 OF 12																																
REV	THIS DRAWING CONTAINS INFORMATION THAT IS PROPRIETARY TO MOLEX INCORPORATED AND SHOULD NOT BE USED WITHOUT WRITTEN PERMISSION																																				