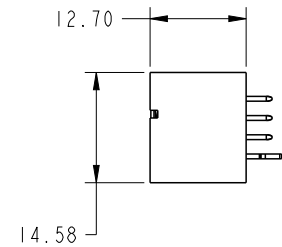
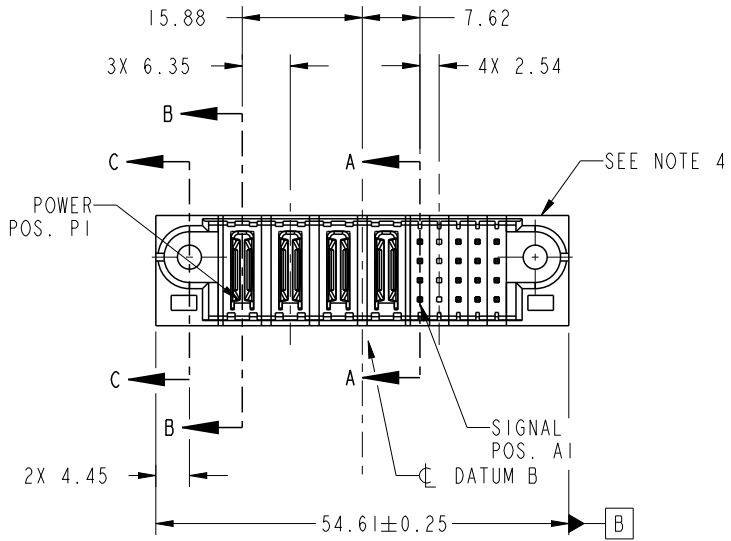
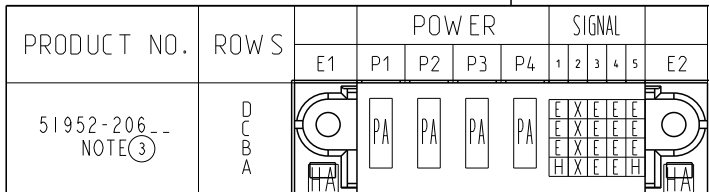


1

2

3

4



CODE	DIM "M" MATING LENGTH	CONTACT TYPE
PA	[N/A]	POWER
E	[6.86]	SIGNAL
H	[5.59]	SIGNAL
HA	[N/A]	HOLD-DOWN



Copyright FCI.

spec ref	See Notes		
tolerance std	TOLERANCES UNLESS OTHERWISE SPECIFIED		
See Notes			
surface ✓	linear	0.X	±0.50
		0.XX	±0.25
		0.XXX	±0.10
	angular	0°	±2°

dr	Guang, Shi	2012/02/22
eng	Guang, Shi	2012/04/01
chr	-	-
appr	Pei-Ming Zheng	2012/04/09

projection

product family PwrBlade

MM

size A4

scale 1:1

ecn no -

rel level Released

www.fci.com

title 4P + 20S  
VERTICAL SOLDER HEADER

cat. no. -

dwg no 51952-206

rev A

Product - Customer Drw

sheet 1 of 4

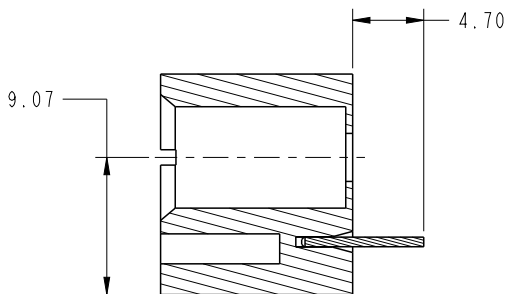
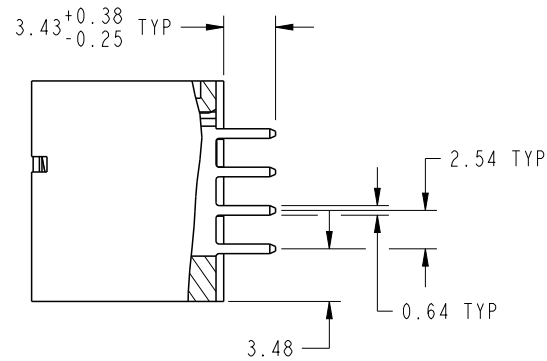
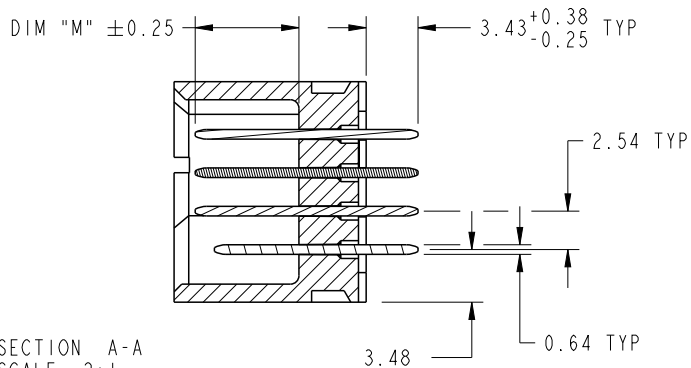
2

3

4

PRODUCT NUMBER

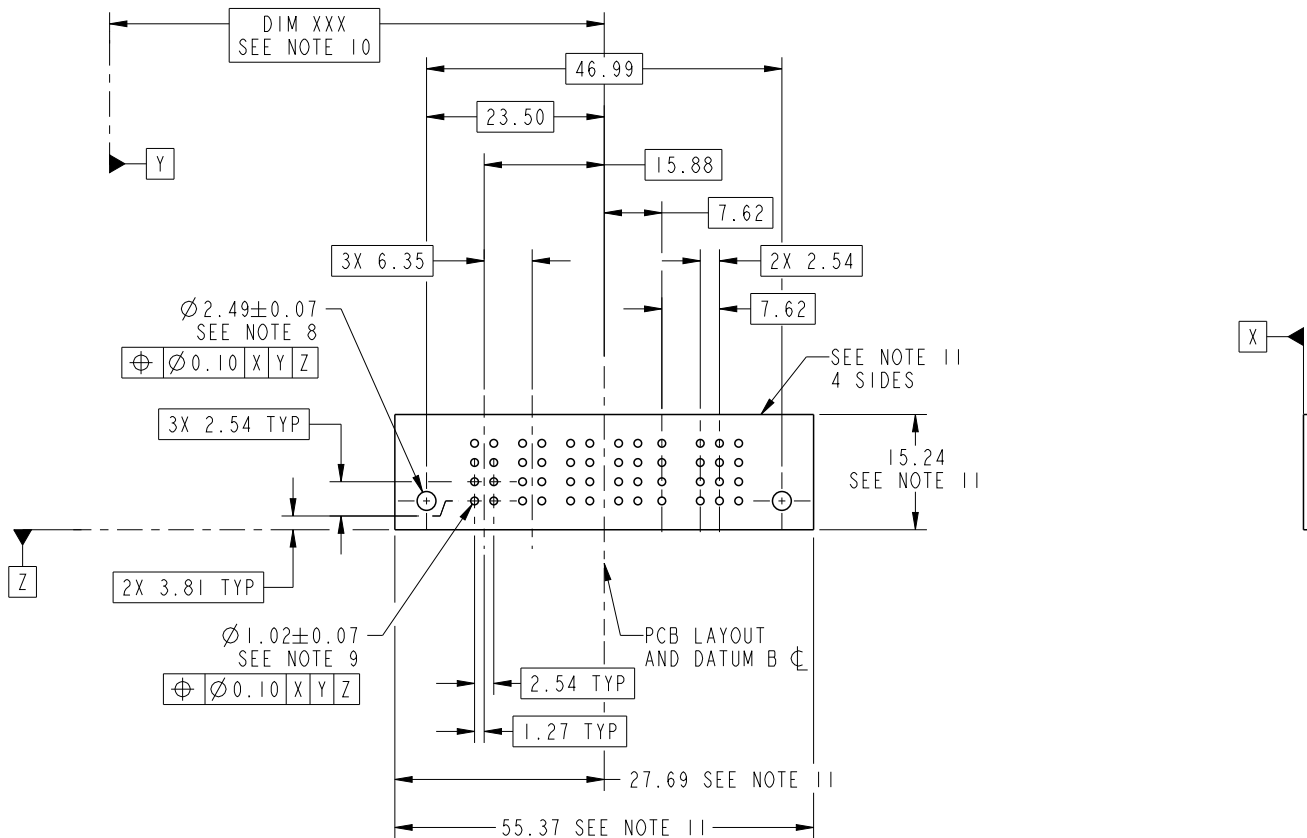
51952-206--  
NOTE 3



dr	Guang, Shi	2012/02/22	projection 	MM 	size	A4	scale	1:1
eng	Guang, Shi	2012/04/01			ecn no	-		
chr	-	-			rel level	Released		
appr	Pei-Ming Zheng	2012/04/09	product family	PwrBlade	rev	A		
	title	4P + 20S VERTICAL SOLDER HEADER		dwg no	51952-206	sheet 2 of 4		
www.fci.com	cat. no.	-	Product - Customer Drw					

PRODUCT NUMBER

51952-206--  
NOTE 3



RECOMMENDED PCB LAYOUT

dr	Guang, Shi	2012/02/22	projection 	MM 	size	A4	scale	1:1		
eng	Guang, Shi	2012/04/01			ecn no	-				
chr	-	-			rel level	Released				
appr	Pei-Ming Zheng	2012/04/09	product family	PwrBlade	rev	A				
	title	4P + 20S VERTICAL SOLDER HEADER		dwg no	51952-206	www.fci.com	cat. no.	-	Product - Customer Drw	sheet 3 of 4



PRODUCT NUMBER

51952-206\_\_  
NOTE 3

NOTES:

1. DIMENSIONS AND TOLERANCES ARE IN ACCORDANCE WITH ASME Y14.5M, 1994 UNLESS OTHERWISE SPECIFIED.

CONNECTOR NOTES:

- ② HOUSING MATERIAL: UL 94 V-0 GLASS FILLED HIGH-TEMP THERMOPLASTIC  
POWER CONTACT MATERIAL: COPPER ALLOY  
SIGNAL PIN MATERIAL: COPPER ALLOY
- 3. SEE ITEM 1 & 2 IN PRINT 10064183 FOR PLATING SPEC OF 51952-206 AND 51952-206LF RESPECTIVELY.

④ MANUFACTURER'S NAME, DATE CODE AND OPTIONAL P/N TO APPEAR ON THIS SURFACE. THE P/N CAN BE OMITTED IF THERE IS NOT ENOUGH SPACE ON THIS SURFACE.

5. PRODUCT SPECIFICATION GS-12-149.  
APPLICATION SPECIFICATION BUS-20-067.

6. PACKAGED IN TRAYS.

PCB NOTES:

- 7. ALL HOLE DIAMETERS ARE FINISHED HOLE SIZE.
- 8. MOUNTING HOLES, WHERE APPLICABLE, ARE UNPLATED.

⑨  $\varnothing 1.151 \pm 0.025$  DRILLED HOLES PLATED WITH 0.008 MIN SnPb OR Sn OVER .001 [0.03] TO 0.08 Cu PLATING TO ACHIEVE  $\varnothing 1.02 \pm 0.07$  HOLE.

⑩ "DIM XXX" TO BE DETERMINED BY THE CUSTOMER.

⑪ CONNECTOR KEEP-OUT ZONE.

dr	Guang, Shi	2012/02/22	projection 	MM 	size	A4	scale	1:1			
eng	Guang, Shi	2012/04/01			ecn no	-					
chr	-	-			product family	PwrBlade	rel level	Released			
appr	Pei-Ming Zheng	2012/04/09			title	4P + 20S		dwg no	51952-206	rev	A
www.fci.com		cat. no.	-	Product - Customer Drw			sheet 4 of 4				



Copyright FCI.