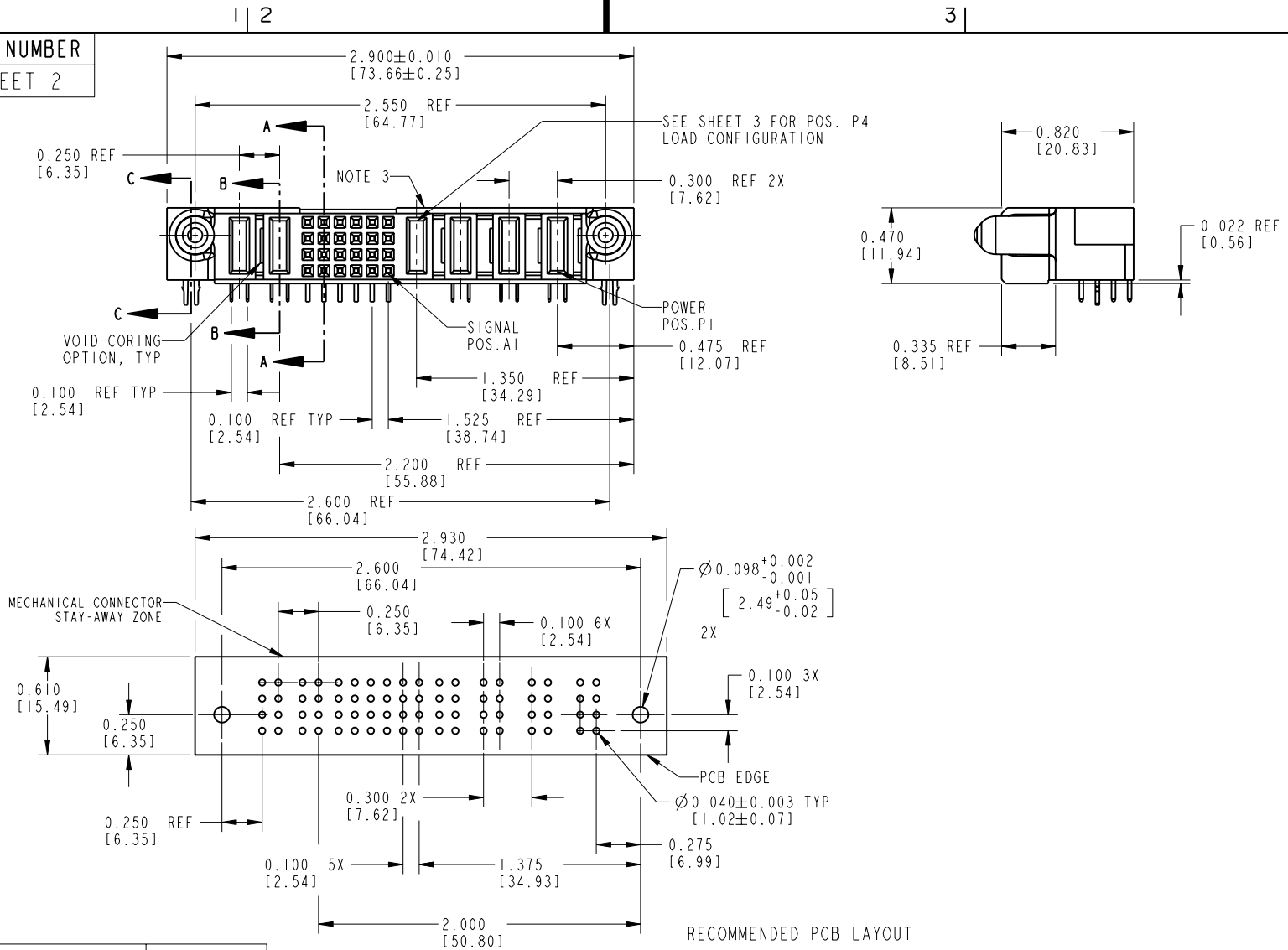


Tous droits strictement réservés. Reproduction ou communication o des liens interdite sous quelque forme que ce soit sans autorisation écrite du propriétaire. Propriété de c FCI. Droits de reproduction FCI.

FCI

All rights strictly reserved. Reproduction or issue to third parties in any form, whomever is not permitted without written authority from the proprietor. Property of FCI. Copyright FCI.

PRODUCT NUMBER
SEE SHEET 2



CODE	DIM "M" ±0.010 [0.25]		CONTACT TYPE
E	N/A	[N/A]	SIGNAL
F	N/A	[N/A]	SIGNAL
G	N/A	[N/A]	SIGNAL
H	N/A	[N/A]	SIGNAL
PC	0.092	[2.34]	POWER
PA	0.042	[1.07]	POWER
HA	N/A	[N/A]	HOLD-DOWN
X	OMITTED		OMITTED

mat'l code				NOTE 1		tolerances unless otherwise specified		CUSTOMER	
lfr	ecn no.	dr	date	linear	.XX±.01/0.X±0.3	projection		COPY	
A	V02393	JRW	10-27-00	angles	.XXX±.005/0.XX±0.13	INCH/MM		title 3ACP + IP + 24S + 2P R/A SOLDER RECEPTACLE	
B	V02944	JWS	12-21-00		.XXXX±.0005/0.XXX±.051	scale 1:1		product family PwrBlade code 213	
C	V11096	JRW	03/20/01		0°±2°			size dwg no A 51787 sheet 1 of 3	
D	V12138	JRW	08/03/01	dr	E. KORFF 06-15-00				
E	DG05-0530	GuoJM	12/08/05	enrg	J. BROWN 06-15-00				
				chr	J. BROWN 06-15-00				
				appd	J. BROWN 06-15-00				
sheet index	revision sheet	E 1	E 2	E 3					

Pro/E

cage code 22526

PDM: Rev:E

STATUS: Released

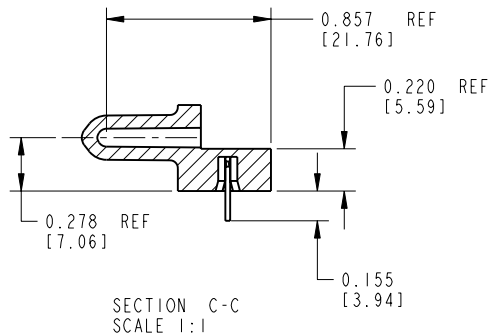
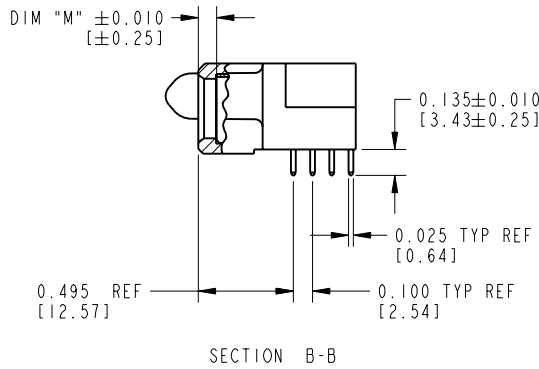
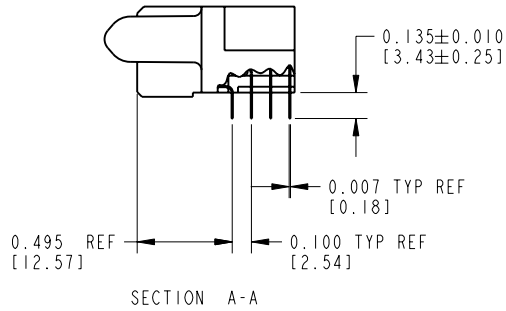
Printed: Dec 20, 2010

Tous droits strictement réservés. Reproduction ou communication o des liens interdite sous quelque forme que ce soit sans autorisation écrite du propriétaire. Propriété de c FCI. Droits de reproduction FCI.

All rights strictly reserved. Reproduction or issue to third parties in any form, whatever is not permitted without written authority from the proprietor. Property of FCI. Copyright FCI.

A
FCI

PRODUCT NUMBER
SEE SHEET 2



PRODUCT No.	ROWS	POWER			SIGNAL						POWER				E1
		E2	P6	P5	6	5	4	3	2	1	P4	P3	P2	P1	
51787-001... NOTE: 3	D C B A		PC	PC	HHHHHH	HHHHHH	GGGGGG	GGGGGG	GGGGGG	GGGGGG	X	PC	PA	PC	

PRODUCT No.	ROWS	POWER			SIGNAL						POWER				E1	
		E2	P6	P5	6	5	4	3	2	1	P4	P3	P2	P1		
51787-002... NOTE: 3	D C B A		PC	PC	HHHHHH	HHHHHH	GGGGGG	GGGGGG	GGGGGG	GGGGGG		PC	PA	PC	PC	

PRODUCT No.	ROWS	POWER			SIGNAL						POWER				E1	
		E2	P6	P5	6	5	4	3	2	1	P4	P3	P2	P1		
51787-003... NOTE: 3	D C B A		PC	PA	HHHHHH	HHHHHH	GGGGGG	GGGGGG	GGGGGG	GGGGGG		PC	PA	PC	PC	

mat'l code		NOTE 1		tolerances unless otherwise specified		CUSTOMER		A FCI		www.fciconnect.com	
ltr	ecn no.	dr	date	linear	.XX±.01/0.XX±0.3	projection	COPY		title 3ACP + 1P + 24S + 2P R/A SOLDER RECEPTACLE		
E				angles	.XXX±.005/0.XX±0.13		INCH/MM		product family PwrBlade		code 213
				dr	.XXXX±.0005/0.XXX±.051	scale	1:1		size dwg no		sheet 2
				engr	0°±2°				A 51787		
				chr	E. KORFF 06-15-00						
				appd	J. BROWN 06-15-00						
sheet index	revision sheet										

Pro/E

cage code 22526

PDM: Rev:E

STATUS: Released

Printed: Dec 20, 2010

Tous droits strictement reserves. Reproduction ou communication o des liers interdite sous quelque forme que ce soit sans autorisation écrite du propriétaire. Propriete de c FCI. Droits de reproduction FCI.

A FCI

All rights strictly reserved. Reproduction or issue to third parties in any form, whenever is not permitted without written authority from the proprietor. Property of FCI. Copyright FCI.

A

A

PRODUCT NUMBER
SEE SHEET 2

CONNECTOR NOTES:

1. HOUSING MATERIAL: UL 94 V-0 GLASS FILLED HIGH TEMP THERMOPLASTIC
SIGNAL PIN MATERIAL: COPPER ALLOY
POWER CONTACT MATERIAL: COPPER ALLOY

3. PLATING:
51787-YYY Singal Pin:30u"/0.76um Au OVER 50u"/1.27um Ni ON THE CONTACT AREA.
AND 100u"/2.54um SnPb PLATING OVER 50u"/1.27um Ni ON THE TERMINATION SECTION.
Power Pin:30u"/0.76um Au OVER 50u"/1.27um Ni ON THE CONTACT AREA,
AND 100u"/2.54um SnPb PLATING OVER 50u"/1.27um Ni ON THE TERMINATION SECTION.

51787-YYLFF Singal Pin:30u"/0.76um Au OVER 50u"/1.27um Ni ON THE CONTACT AREA.
AND 78u"/2.00um Sn PLATING OVER 50u"/1.27um Ni ON THE TERMINATION SECTION.
Power Pin:30u"/0.76um Au OVER 50u"/1.27um Ni ON THE CONTACT AREA,
AND 78u"/2.00um Sn PLATING OVER 50u"/1.27um Ni ON THE TERMINATION SECTION.

PART NUMBER 51787-YYLFF MEETS EUROPEAN UNION DIRECTIVE AND OTHER COUNTRY REGULATIONS AS DESCRIBED IN GS-22-008.

THE HOUSING WILL WITHSTAND EXPOSURE TO 260° PEAK TEMPERATURE FOR 10 SECONDS IN A WAVE SOLDER APPLICATION WITH A CIRCUIT BOARD.

3. "MANUFACTURER'S" NAME, P/N AND DATE CODE TO APPEAR ON THIS SURFACE


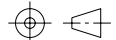
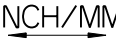
4. PRODUCT SPECIFICATION GS-12-149

PCB NOTES:

5. ALL DIMENSIONS ARE BASIC UNLESS OTHERWISE SPECIFIED.
6. ALL THROUGH HOLES ARE LOCATED WITH A TRUE POSITION OF 0.004 [0.10]
7. ALL HOLE DIAMETERS ARE FINISHED HOLE SIZE
8. Ø0.098 [2.49] THROUGH HOLES ARE UNPLATED
9. Ø0.0453±0.0010 [1.151±0.025] DRILLED HOLES PLATED WITH 0.0003 [0.008] MIN SnPb OVER 0.001 [0.03] TO 0.003 [0.08] Cu PLATING TO ACHIEVE A Ø0.040±0.003 [1.02±0.07] HOLE]

B

B

mat'l code		NOTE 1		tolerances unless otherwise specified		CUSTOMER		 FCI www.fciconnect.com	
lfr	ecn no.	dr	date	linear	.XX±.01/0.X±0.3	COPY			
E				projection	.XXX±.005/0.XX±0.13			title 3ACP + 1P + 24S + 2P R/A SOLDER RECEPTACLE	
				angles	.XXX±.0005/0.XXX±.051	 INCH/MM scale 1:1		product family PwrBlade code 213	
				dr	0°±2°			size A	
				engr	E. KORFF 06-15-00			dwg no 51787 sheet 3	
				chr	J. BROWN 06-15-00				
				appd	J. BROWN 06-15-00				
sheet index	revision sheet								

1 | 2

Pro/E

3 |

coge code 22526

4