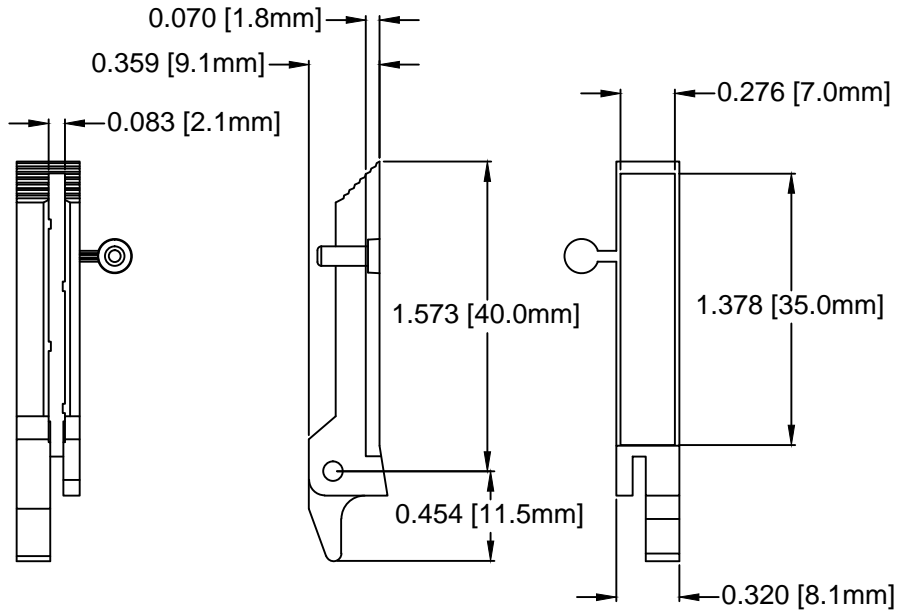
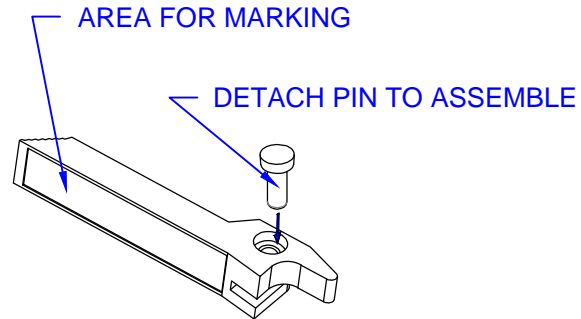


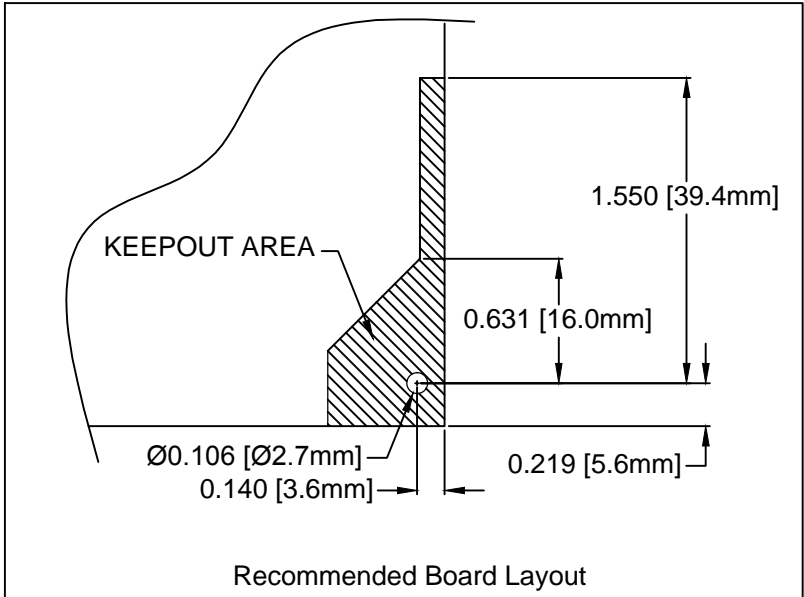
REV.	DESCRIPTION	DATE	APPROVED
A	Engineering Release.	07/25/14	J. C.




Card Ejector with Attached Pin



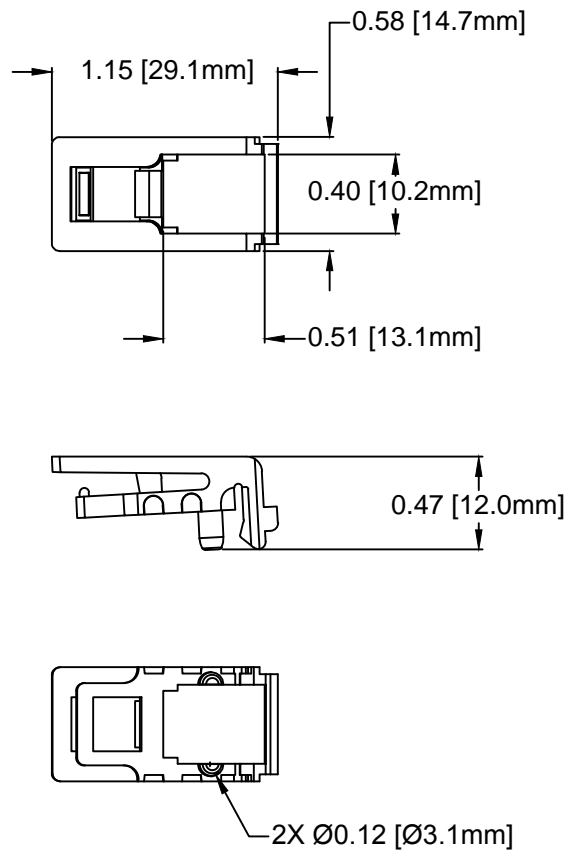
3D VIEW



Recommended Board Layout

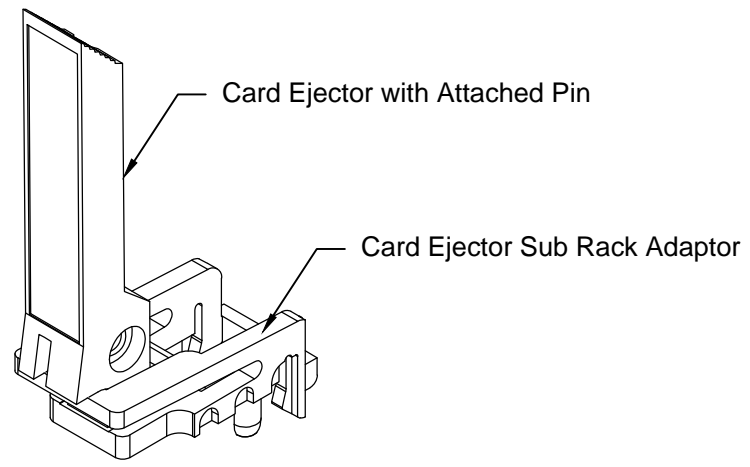
STANDARD TOLERANCE (UNLESS OTHERWISE SPECIFIED)		 BIVAR [®] 4 THOMAS, IRVINE, CA. 92618 TEL: (949) 951-8808 FAX: (949) 951-3974			
DECIMALS	ANGULAR				
X ± .1	X° ± 1°	TITLE: CARD EJECTOR WITH ATTACHED PIN, BOTTOM			
.XX ± .02					
.XXX ± .010		DESIGNED: Brian Oliver	DATE: 07/24/14	PART NO: CPCI-CP-B	REVISION: A
CHECKED: A. Wright		DATE: 07/24/14		CAGE CODE : 32559	SHEET # 1 OF 2
<small>CAD GENERATED DOCUMENT, DO NOT MEASURE DRAWING.</small>					

REV.	DESCRIPTION	DATE	APPROVED
A	Engineering Release.	07/25/14	J. C.


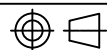


Card Ejector Sub Rack Adaptor

FOR USE WITH VME CARD GUIDES:
 CPCI-160
 CPCI-220
 CPCI-VXXX



Card Ejector Sub Rack Adaptor and Card Ejector with Attached Pin Packaged Together

STANDARD TOLERANCE (UNLESS OTHERWISE SPECIFIED)		 4 THOMAS, IRVINE, CA. 92618 TEL: (949) 951-8808 FAX: (949) 951-3974	
DECIMALS	ANGULAR		
X ± .1	X° ± 1°	 TITLE: CARD EJECTOR WITH ATTACHED PIN, BOTTOM	
.XX ± .02			
.XXX ± .010		PART NO: CPCI-CP-B REVISION: A	
DESIGNED: Brian Oliver	DATE: 07/24/14	CAGE CODE : 32559 SHEET # 2 OF 2	
CHECKED: A. Wright	DATE: 07/24/14	CAD GENERATED DOCUMENT, DO NOT MEASURE DRAWING.	