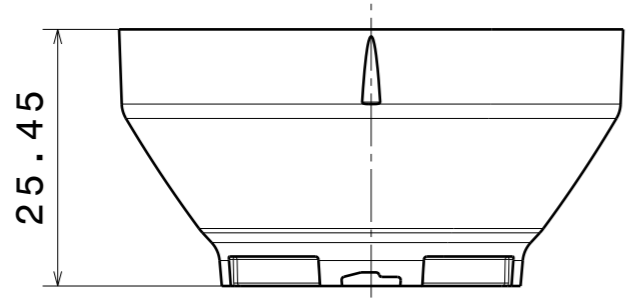
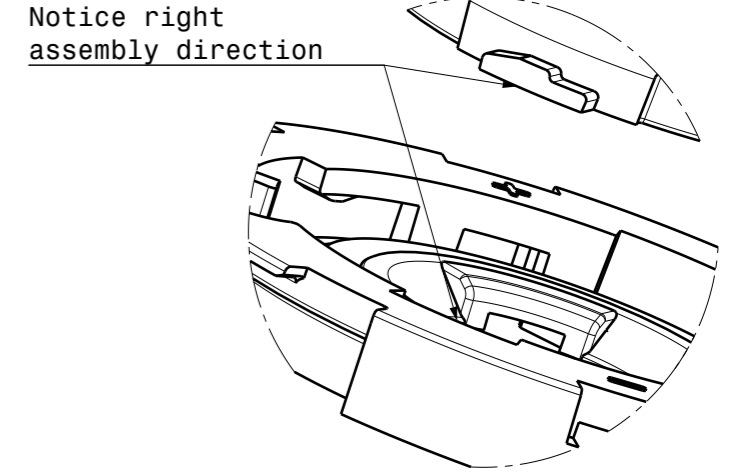
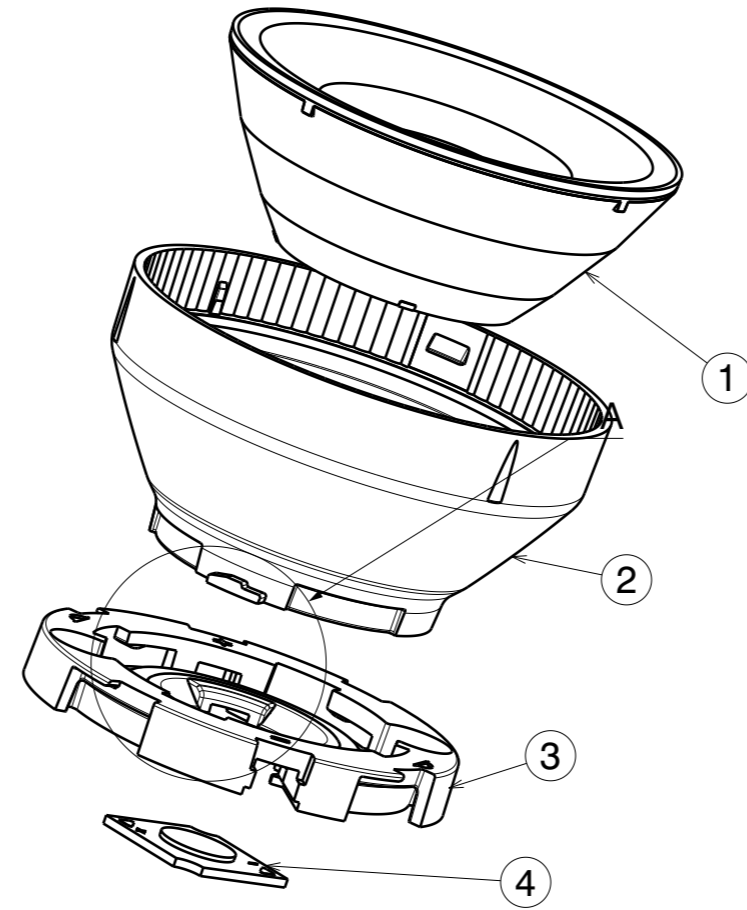
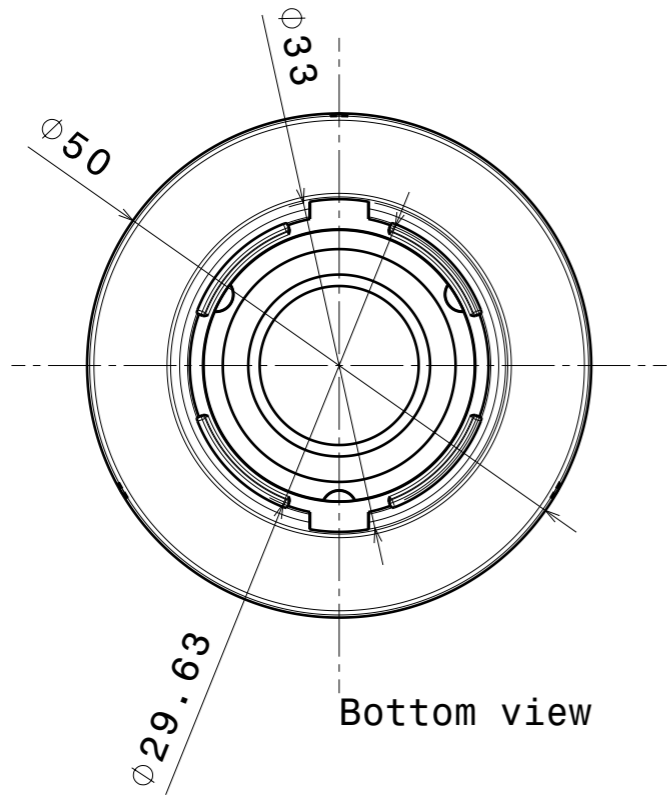


Example assembly:



INDEX	PART NO
1	CARMEN-50-Lens
2	CARMEN-50-HLD-C
3	HEKLA-Socket
4	LED

Tolerances if not otherwise shown
 According to DIN ISO 2768-1
 Linear measures:
 Up to 30mm class M, otherwise class C.
 According to DIN ISO 2768-2
 Form and position: class L

LEDiL LediL Oy
 Salorankatu 10
 FIN 24240 SALO
 Finland

THIRD ANGLE PROJECTION:

DRAWING TITLE
CARMEN-50-C

This drawing is the property of LEDiL Oy. It may not be reproduced, copied or communicated without a written agreement with LEDiL Oy.

SIZE PART NUMBER
A3 CARMEN-50-C

WEIGHT SHEET 1/1