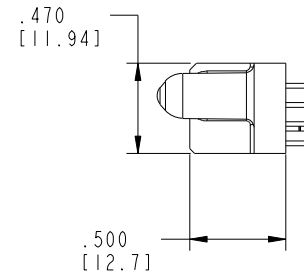
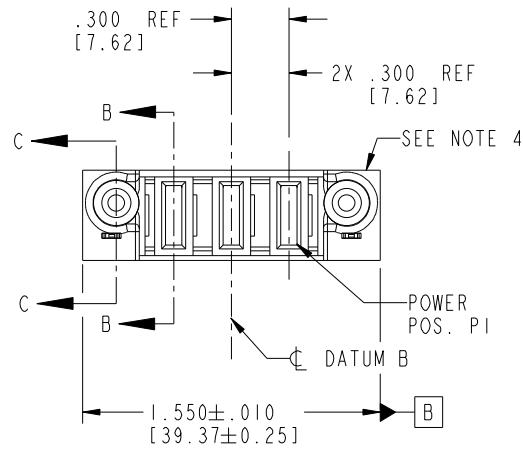


Tous droits strictement réservés. Reproduction ou communication a des tiers interdite sous quelque forme que ce soit sans autorisation écrite du propriétaire. Propriété de c FCI. Droits de reproduction FCI.



All rights strictly reserved. Reproduction or issue to third parties in any form whatever is not permitted without written authority from the proprietor. Property of FCI. Copyright FCI.

PRODUCT NO. 51940-059-- NOTE:3	POWER				
	E2	P3	P2	P1	E1



CODE	DIM "M" MATING LENGTH	CONTACT TYPE
PA	.042 [1.07]	POWER
PD	.092 [2.34]	POWER
HA	N/A [N/A]	HOLD-DOWN

mat'l code				SEE NOTE 2		tolerances unless otherwise specified		CUSTOMER		FCI www.fciconnect.com	
lir	ecn no.	dr	date	linear	.XX±.01/0.X±0.3	projection		COPY		title 3P	
A	V03-1078	TAB	09/30/03		.XXX±.005/0.XX±0.13	INCH/MM		product family PwrBlade		code 213	
B	DG05-0490	CS	11/22/05	angles	.XXX±.0020/0.XXX±0.051	scale 1:1		size dwg no		sheet 1 of 4	
C	DG09-0172	WL	05/26/09	dr	0°±2°			A 51940-059			
				enrg	T. BRUNGARD 09/30/03						
				chr	M. GRAY 09/30/03						
				appd	M. GRAY 09/30/03						
sheet index	revision sheet	C	C	C	C						
		1	2	3	4						

Pro/E

PDM: Rev:C

STAT: Released

Printed: Dec 20, 2010

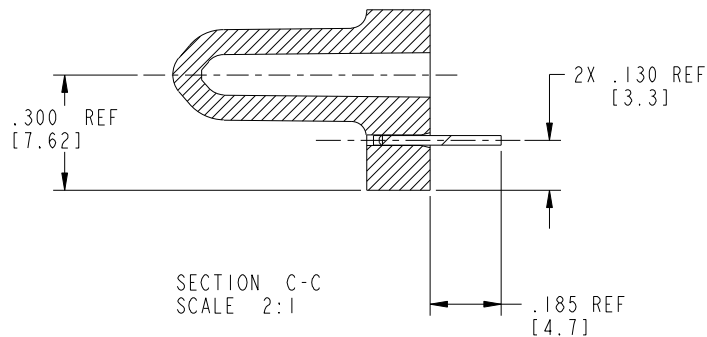
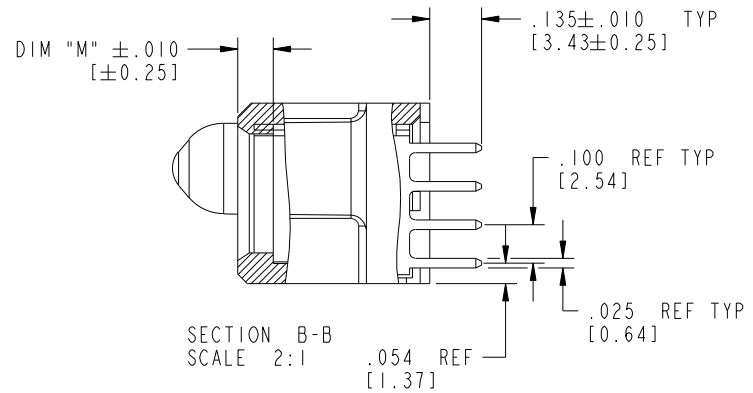
cage code 22526

Tous droits strictement réservés. Reproduction ou communication a des tiers interdite sous quelque forme que ce soit sans autorisation écrite du propriétaire. Propriété de c FCI. Droits de reproduction FCI.

All rights strictly reserved. Reproduction or issue to third parties in any form whatever is not permitted without written authority from the proprietor. Property of FCI. Copyright FCI.



PRODUCT NUMBER
51940-059--
NOTE:3



mat'l code		SEE NOTE 2		tolerances unless otherwise specified		CUSTOMER		FCI		www.fciconnect.com	
ltr	ecn no.	dr	date	linear	.XX±.01/0.X±0.3	projection	COPY	title 3P			
C					.XX±.005/0.XX±0.13	INCH/MM		VERTICAL SOLDER RECEIPT			
				angles	.XXX±.0020/0.XXX±0.051	scale		product family PwrBlade		code 213	
				dr	T. BRUNGARD 09/30/03	1:1		size		sheet 2 of 4	
				enr	M. GRAY 09/30/03		A	dwg no 51940-059			
				chr	M. GRAY 09/30/03						
				appd	M. GRAY 09/30/03						
sheet index	revision sheet										

Pro/E

PDM: Rev: C

STATUS: Released

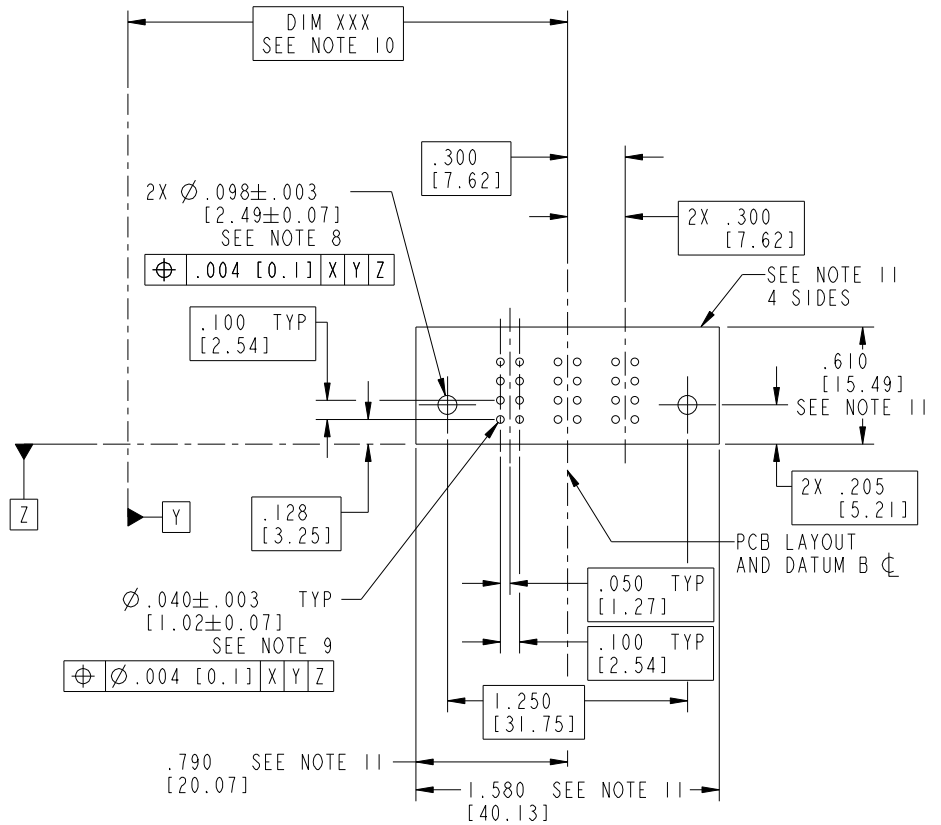
Printed: Dec 20, 2010

Tous droits strictement réservés. Reproduction ou communication a des tiers interdite sous quelque forme que ce soit sans autorisation écrite du propriétaire. Propriété de c FCI. Droits de reproduction FCI.



All rights strictly reserved. Reproduction or issue to third parties in any form whatever is not permitted without written authority from the proprietor. Property of FCI. Copyright FCI.

PRODUCT NUMBER
51940-059--
NOTE:3



mat'l code		SEE NOTE 2		tolerances unless otherwise specified		CUSTOMER		FCI		www.fciconnect.com	
lir	ecn no.	dr	date	linear	.XX±.01/0.X±0.3	projection	COPY	title 3P			
C				angles	.XXX±.005/0.XX±0.13	INCH/MM		VERTICAL SOLDER RECEIPT			
				enr	.XXX±.002/0.XXX±0.051	scale		product family PwrBlade		code 213	
				chr	$0^\circ \pm 2^\circ$	1:1		size	dwg no	sheet 3 of 4	
				appd	T. BRUNGARD 09/30/03			A 51940-059			
sheet index	revision sheet				M. GRAY 09/30/03						
					M. GRAY 09/30/03						
					M. GRAY 09/30/03						

Pro/E

PDM: Rev: C

STATUS: Released

Printed: Dec 20, 2010

PRODUCT NUMBER

51940-059--
NOTE: 3

NOTES:

1. DIMENSIONS AND TOLERANCES ARE IN ACCORDANCE WITH ASME Y14.5M, 1994 UNLESS OTHERWISE SPECIFIED.

CONNECTOR NOTES:

2 HOUSING MATERIAL: UL 94 V-0 GLASS FILLED
HIGH-TEMP THERMOPLASTIC
POWER CONTACT MATERIAL: COPPER ALLOY
SIGNAL PIN MATERIAL: COPPER ALLOY

3. PLATING:
△ SEE ITEM 5 & 6 IN PRINT 10064183 FOR PLATING SPEC OF 51940-059; 51940-059LF PRESPECTIVELY

4 MANUFACTURER'S NAME, P/N, AND DATE CODE TO APPEAR ON THIS SURFACE.

5. PRODUCT SPECIFICATION GS-12-149.
APPLICATION SPECIFICATION BUS-20-067.

6. PACKAGED IN TRAYS.

PCB NOTES:

7. ALL HOLE DIAMETERS ARE FINISHED HOLE SIZE.

8 MOUNTING HOLES, WHERE APPLICABLE, ARE UNPLATED.

9 $\varnothing .0453 \pm .0010$ [1.151 ± 0.025] DRILLED HOLES PLATED WITH
.0003 [0.008] MIN SnPb OVER .001 [0.03]
TO .003 [0.08] Cu PLATING TO ACHIEVE
 $\varnothing .040 \pm .003$ [1.02 ± .07] HOLE.

10 "DIM XXX" TO BE DETERMINED BY THE CUSTOMER.

11 CONNECTOR KEEP-OUT ZONE.

12. A △ SYMBOL WILL BE NEXT TO ANY DIMENSION, VIEW, OR NOTE WHICH HAS BEEN MODIFIED WITH THE CURRENT DRAWING REVISION.

mat'l code		SEE NOTE 2		tolerances unless otherwise specified		CUSTOMER		FCJ		www.fciconnect.com	
ltr	ecn no.	dr	date	linear	.XX±.01/0.X±0.3	COPY		title		3P	
C					.XXX±.005/0.XX±0.13	projection		VERTICAL SOLDER RECEPT			
				angles	.XXX±.0020/0.XXX±0.051	INCH/MM		product family		PwrBlade	
				dr	T. BRUNGARD 09/30/03	scale		size		213	
				enr	M. GRAY 09/30/03	1:1		dwg no		sheet	
				chr	M. GRAY 09/30/03			A		4 of 4	
				appd	M. GRAY 09/30/03			51940-059			
sheet index	revision sheet										

Tous droits strictement réservés. Reproduction ou communication a des tiers interdite sous quelque forme que ce soit sans autorisation écrite du propriétaire. Propriete de c FCI. Droits de reproduction FCI.



All rights strictly reserved. Reproduction or issue to third parties in any form whatever is not permitted without written authority from the proprietor. Property of FCI. Copyright FCI.