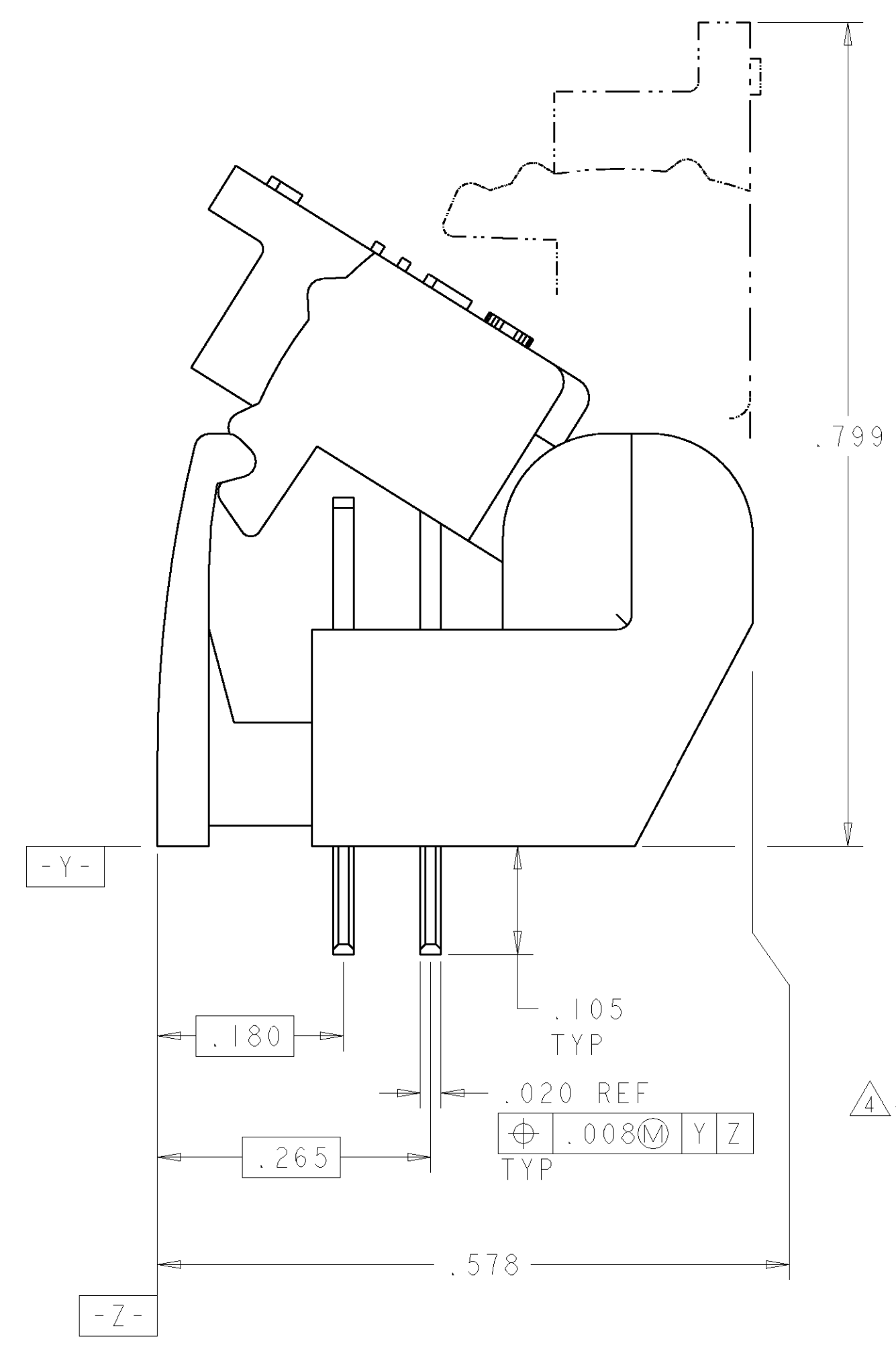
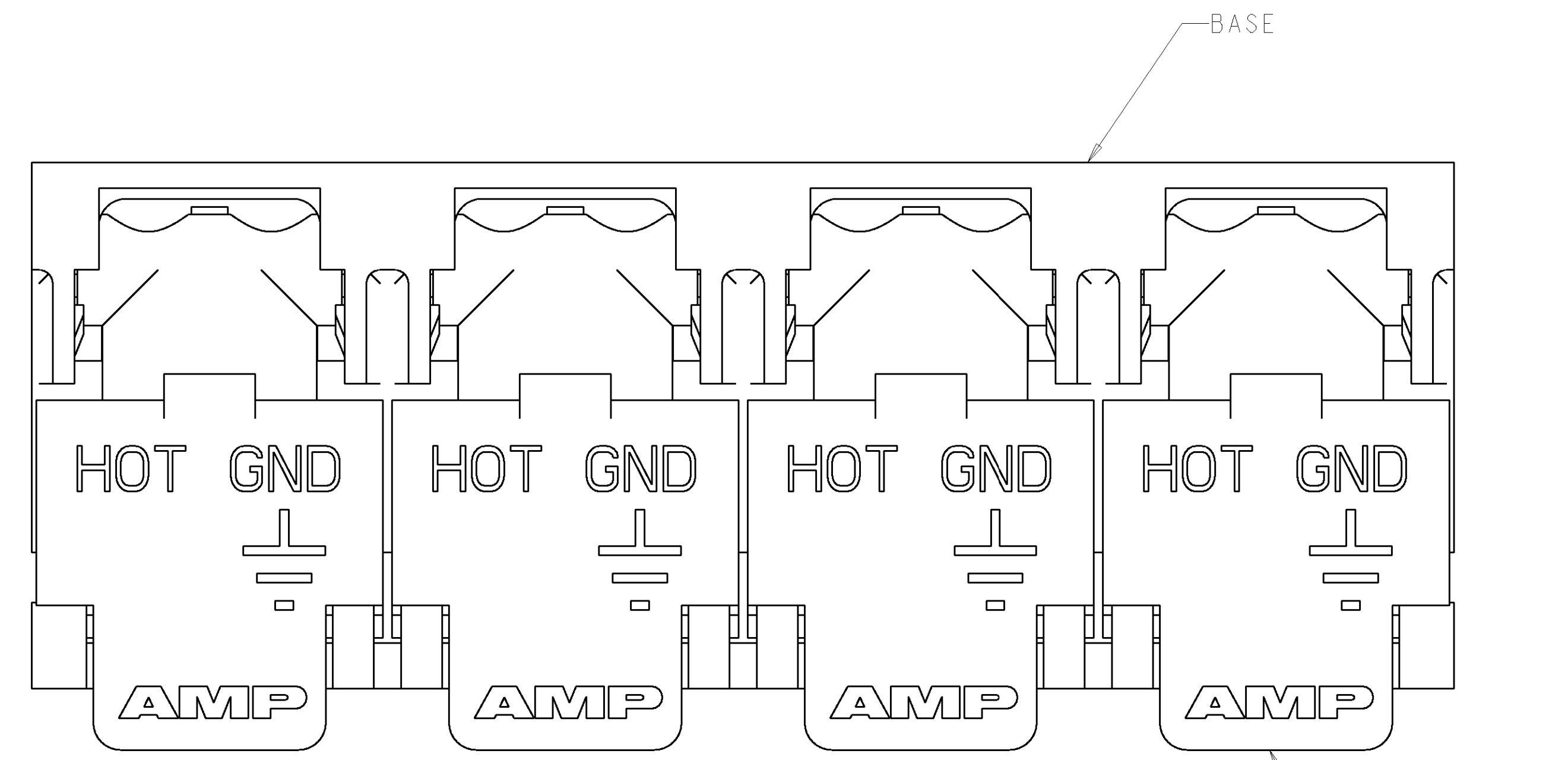
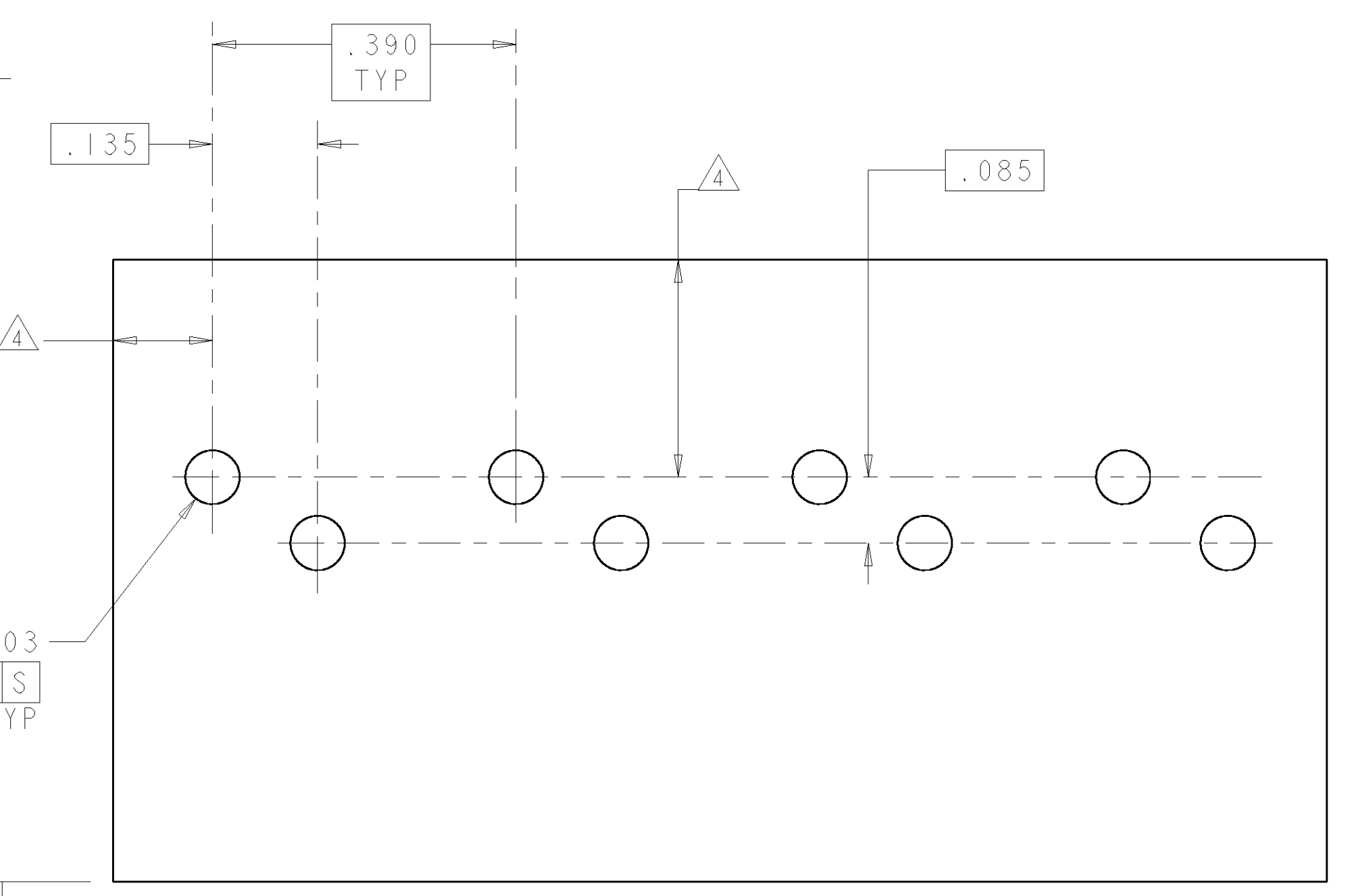


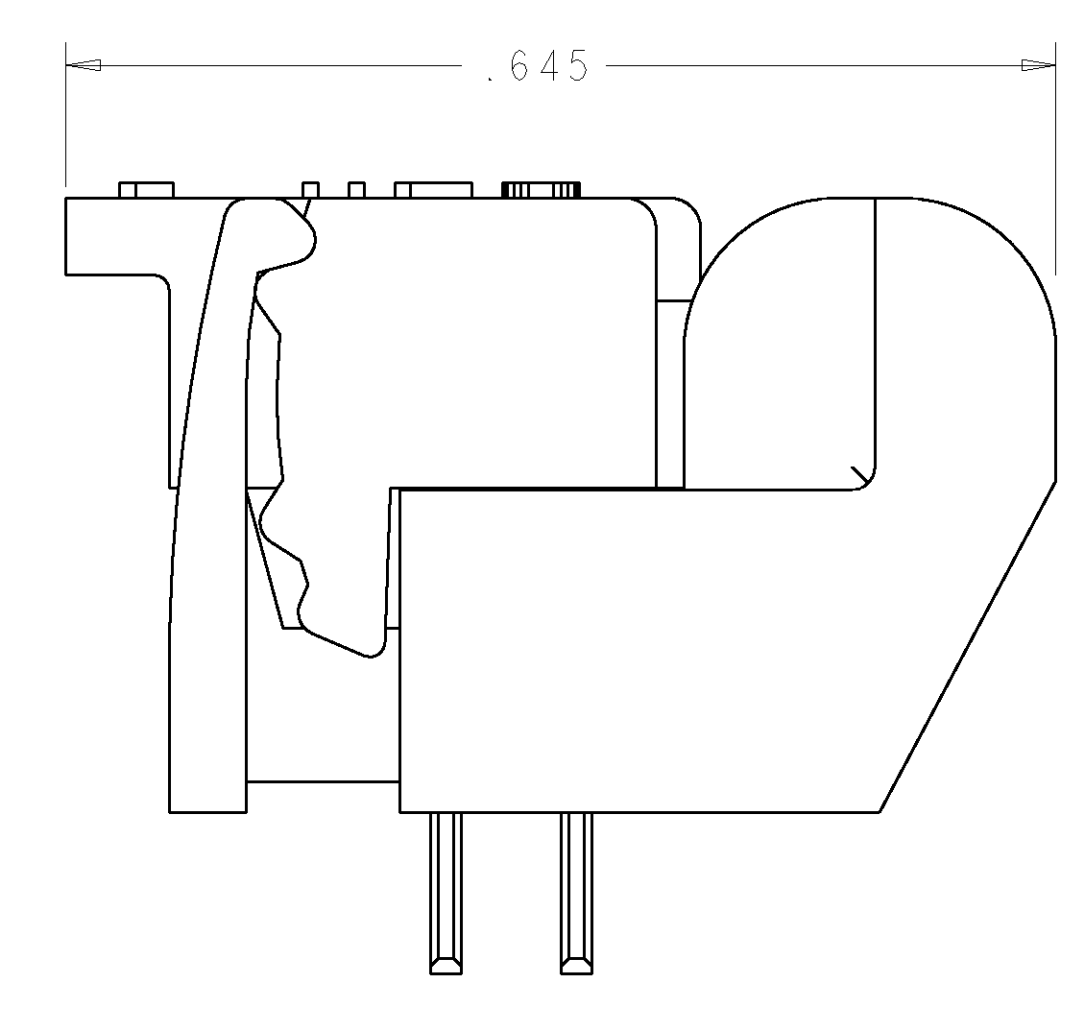
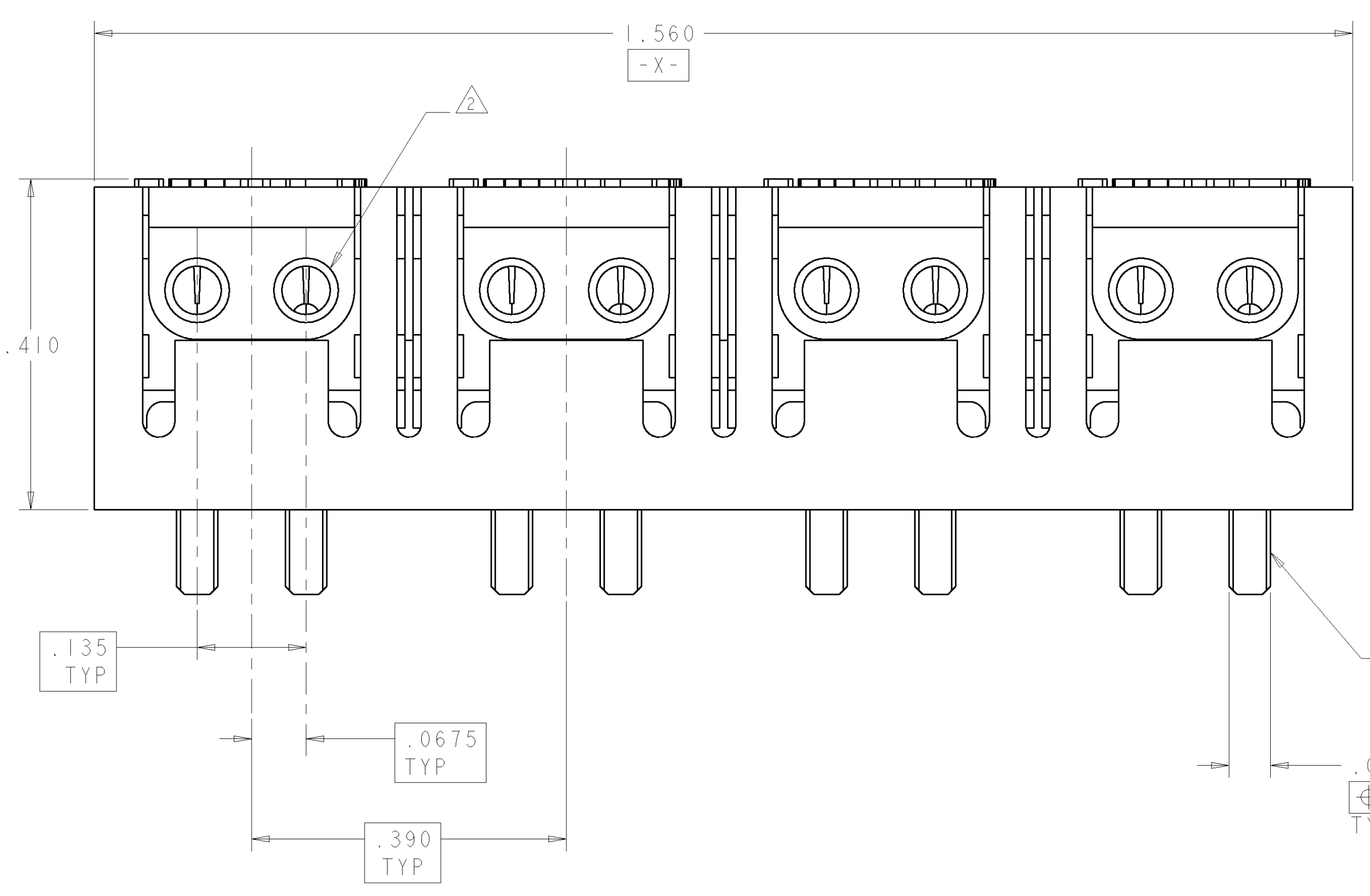
LOC	DIST	F	LTR	DESCRIPTION	DATE	DNW	APVD
GP	00						
D1 REVISED PER ECO-11-005294					20APR11	RK	HMR



- △ MATERIAL: BASE - POLYESTER MOLDING COMPOUND, BLACK.
 WIRE STUFFER: - POLYESTER MOLDING COMPOUND, BLACK.
 TERMINAL - COPPER ALLOY, PLATED WITH 3.81μm MINIMUM THICK TIN OVER 1.27μm MINIMUM THICK NICKEL UNDERPLATE.
- △ EACH WIRE ENTRY HOLE ACCEPTS ONE UNSTRIPPED SOLID COPPER 22-26 AWG WIRE WITH WIRE INSULATION DIAMETER RANGE FROM .060 THROUGH .040. OTHER WIRE SIZES AND TYPES SHALL BE SUBMITTED TO AMP ENGINEERS FOR APPLICATION APPROVAL.
- 3. SOLDER TABS PROVIDED FOR PERMANENT BOARD MOUNTING.
- △ LOCATION OF HOLE PATTERN DETERMINED BASED ON CUSTOMER REQUIREMENTS.



SUGGESTED PRINTED CIRCUIT BOARD MOUNTING DIMENSIONS VIEWED FROM SOLDER SIDE



CLOSED POSITION



1339312-1
 PART NUMBER

DIMENSIONS: INCHES		TOLERANCES UNLESS OTHERWISE SPECIFIED:		DWG: R. ZARBOCK 28APR00		CHK: M. DERSTINE 28APR00		APVD: M. DERSTINE 28APR00		NAME: M. DERSTINE		PRODUCT SPEC: -		APPLICATION SPEC: -		SIZE: A1		CAGE CODE: 00779		DRAWING NO: 1339312	
0 PLC	±	1 PLC	±.01	2 PLC	±.01	3 PLC	±.01	4 PLC	±.005	ANGLES	±	FINISH	-	WEIGHT	-	CUSTOMER DRAWING	SCALE: 8:1	SHEET: 1	OF: 1	REV: D1	



ASSEMBLY, FOUR PAIR, DOUBLE ENTRY, PIVOT II CONNECTOR