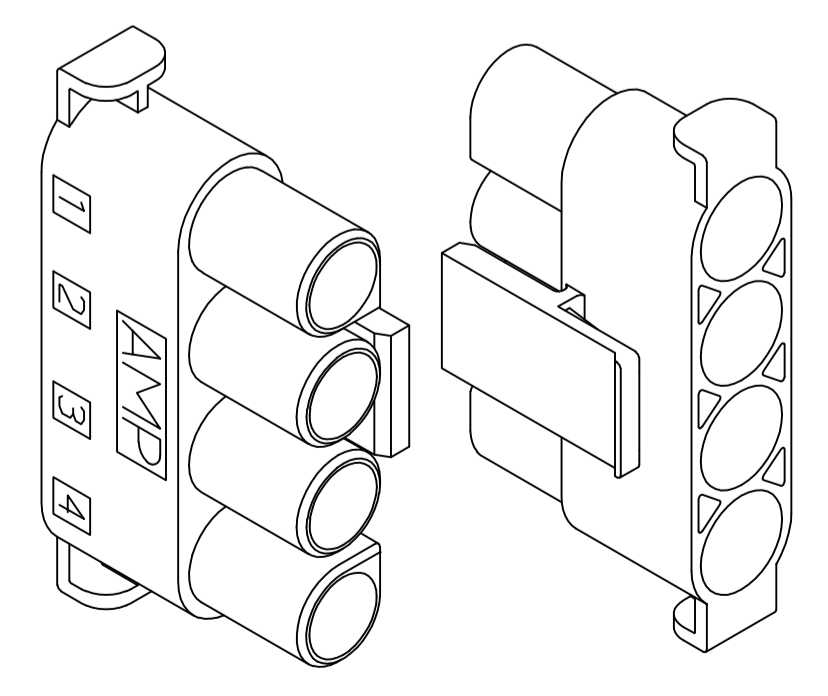
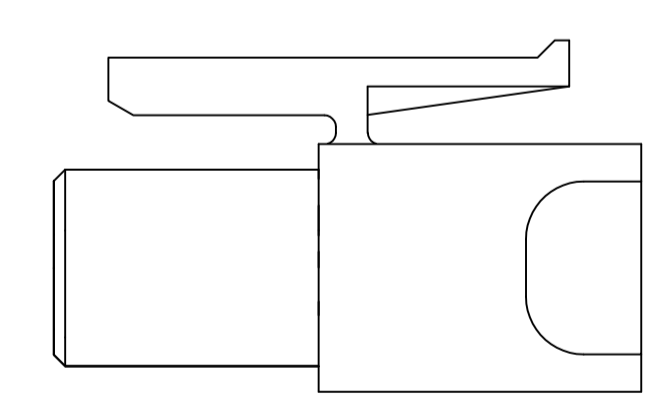
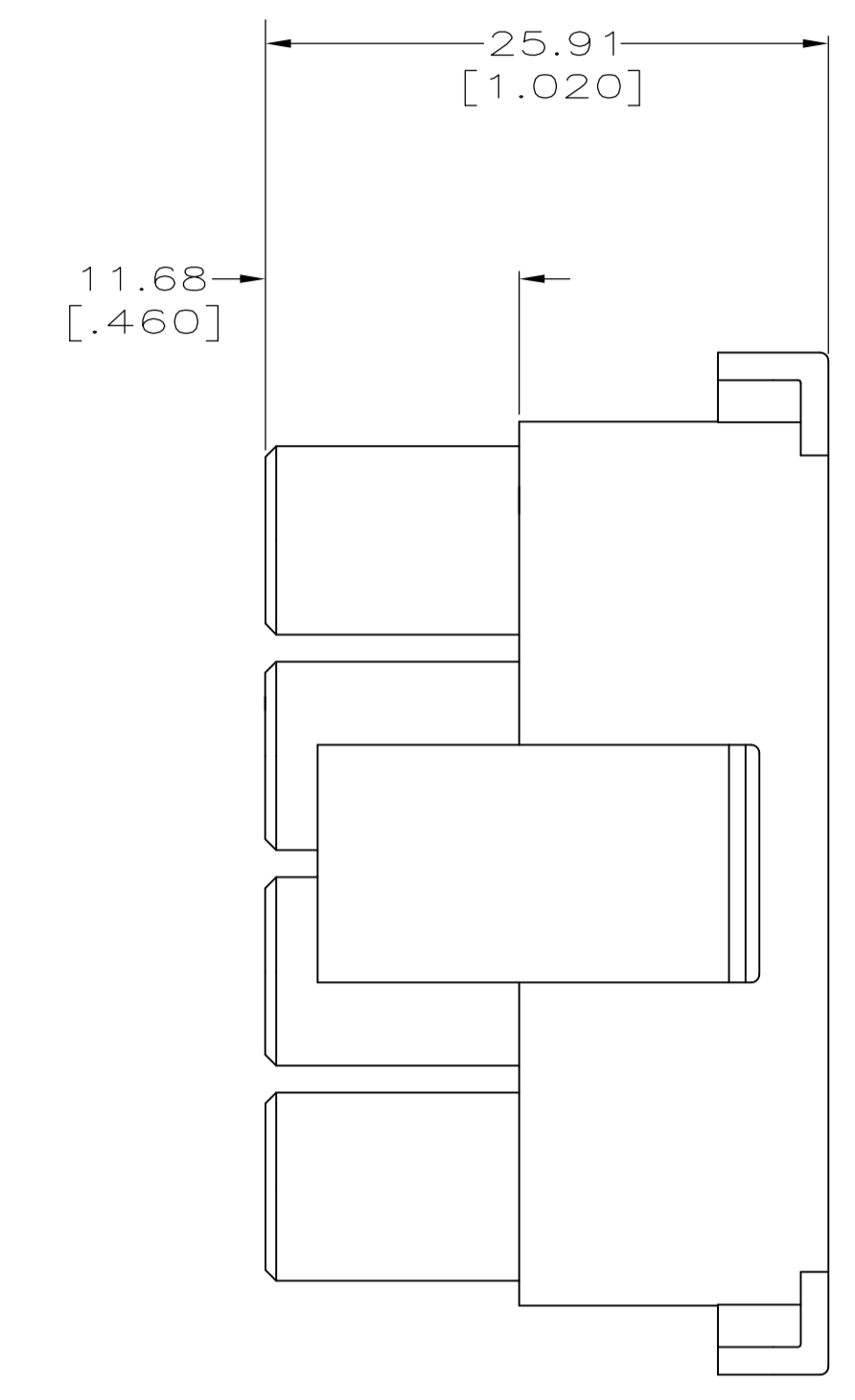
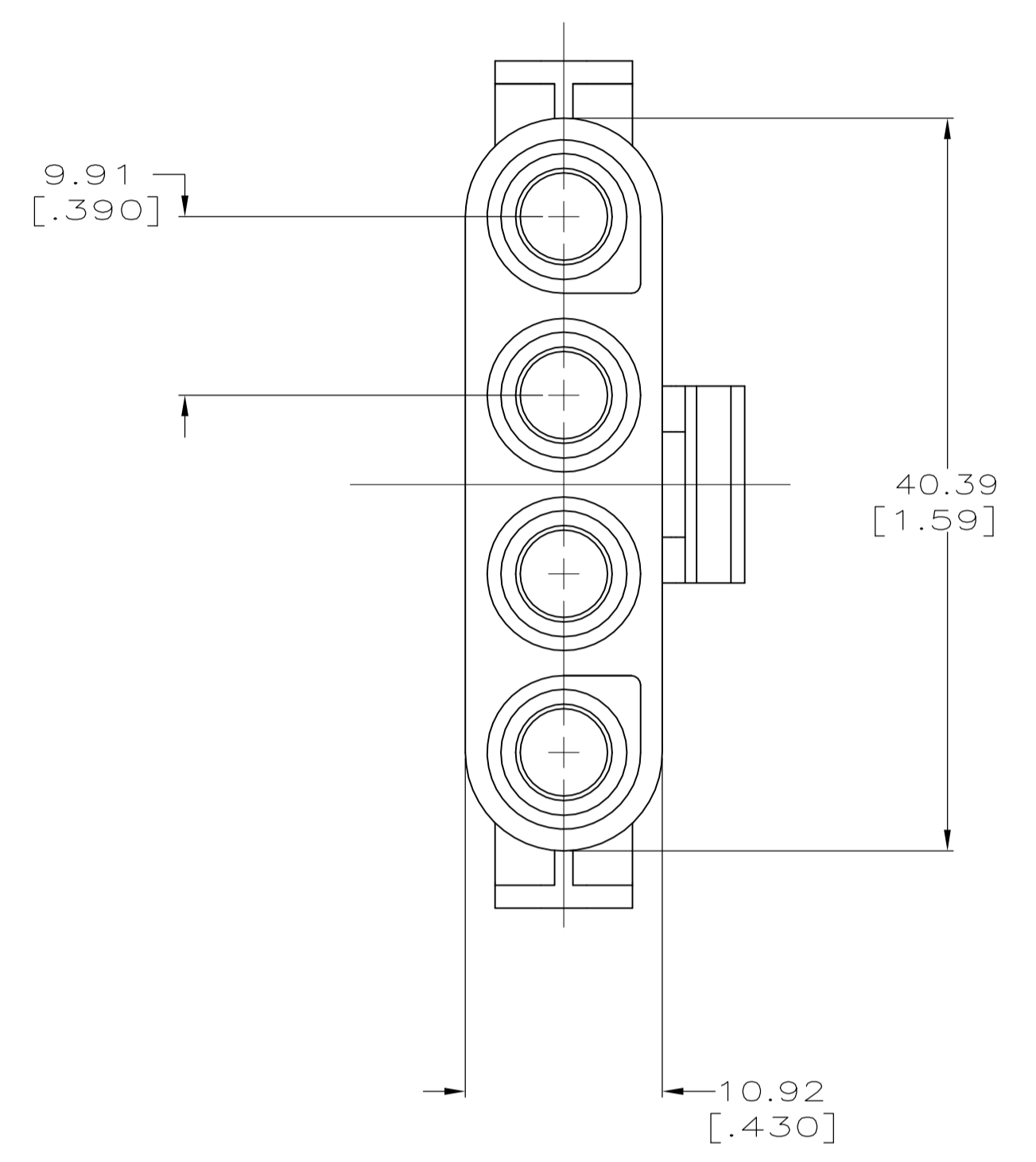
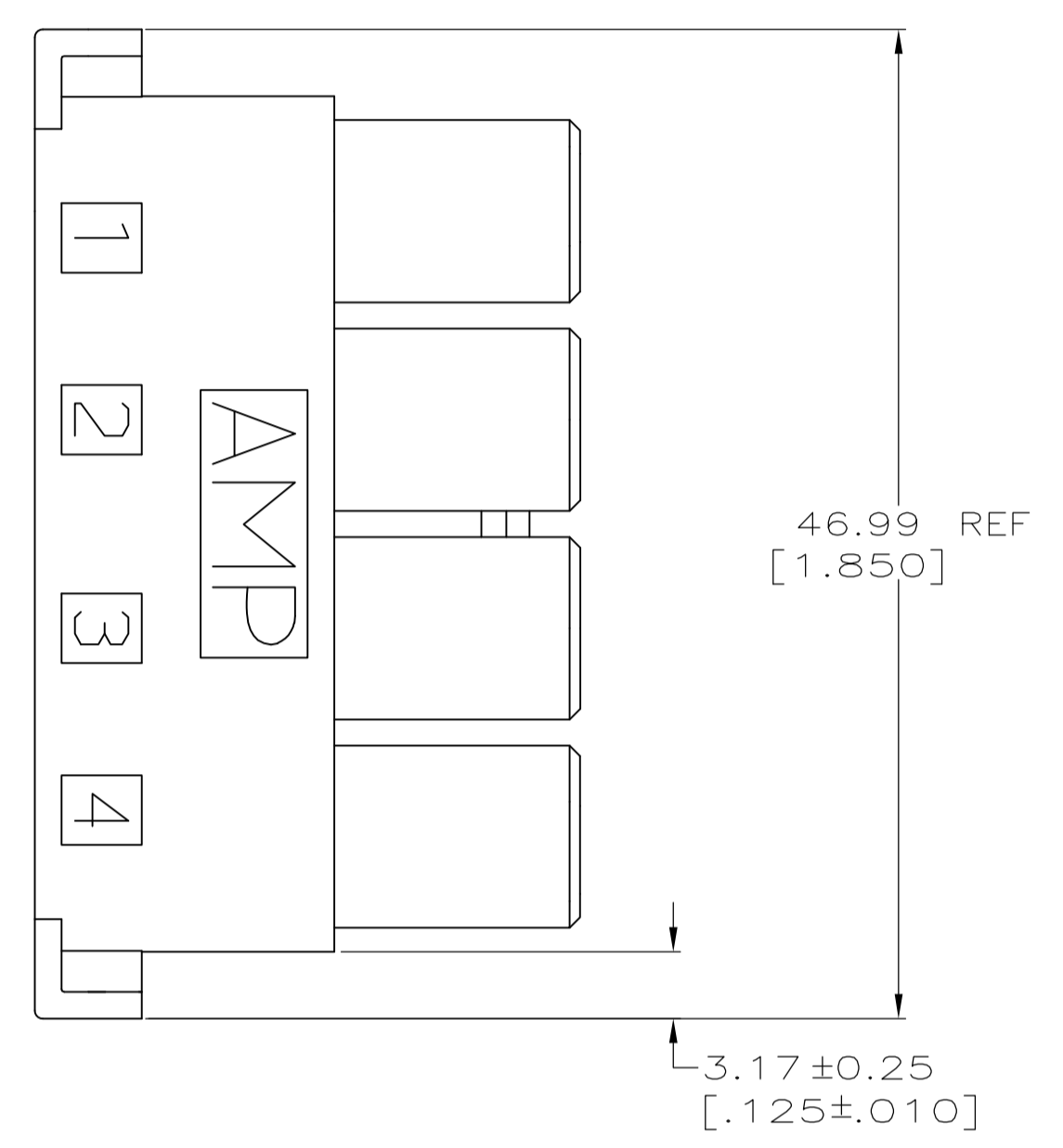


LOC		DIST		REVISIONS			
P	LTR	DESCRIPTION	DATE	DMN	APVO		
C		ECO-07-028188	06DEC07	KW	CC		

1. TO BE USED WITH APPROPRIATE .156 MATE-N-LOK SOCKETS.
2. DIMENSIONS IN BRACKETS ARE IN INCHES.



794116-1
PART NUMBER

THIS DRAWING IS A CONTROLLED DOCUMENT.		DIN E. LEWIS 4-19-96	Tyco Electronics Corporation Harrisburg, PA 17105-3608	
DIMENSIONS: mm [INCHES]		CHK R. SWING 4-19-96	Tyco Electronics Corporation	
TOLERANCES UNLESS OTHERWISE SPECIFIED:		APVO C. MARTIN 4-30-96	NAME PLUG, 4 CIRCUIT, .156 MATE-N-LOK(TM)	
0. PLC ± -		PRODUCT SPEC		
1. PLC ± -		APPLICATION SPEC		
2. PLC ± -		SIZE A1		
3. PLC ± 0.13 (.005)		CAGE CODE 00779		
4. PLC ± -		DRAWING NO. 794116		
ANGLES ± -		RESTRICTED TO		
FINISH -		WEIGHT -		
MATERIAL NYLON		CUSTOMER DRAWING		
		SCALE 3:1		SHEET 1 OF 1
				REV C

