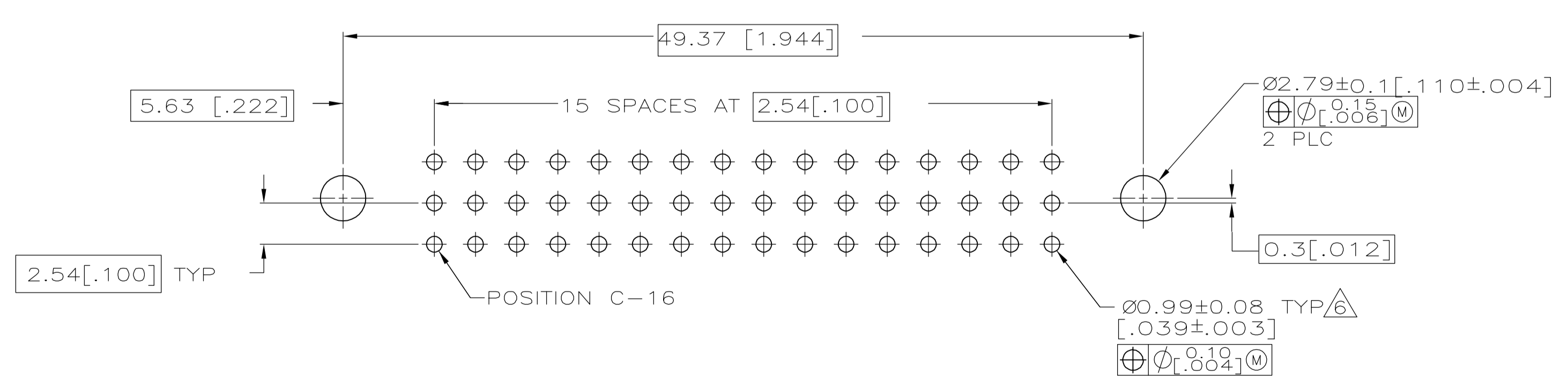
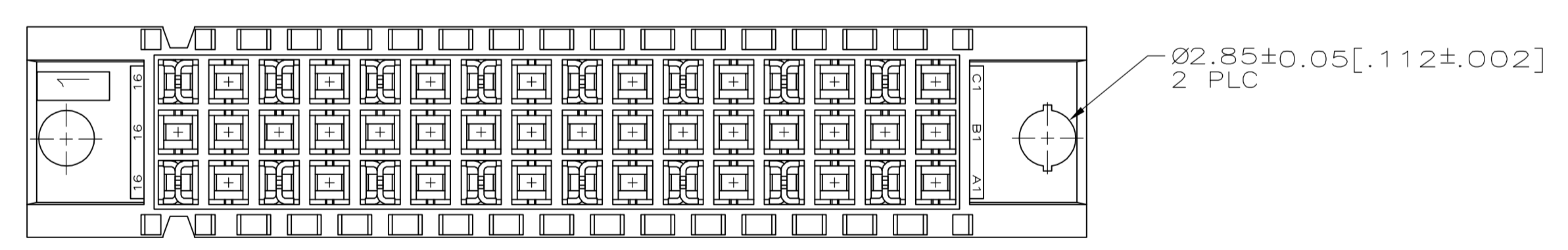
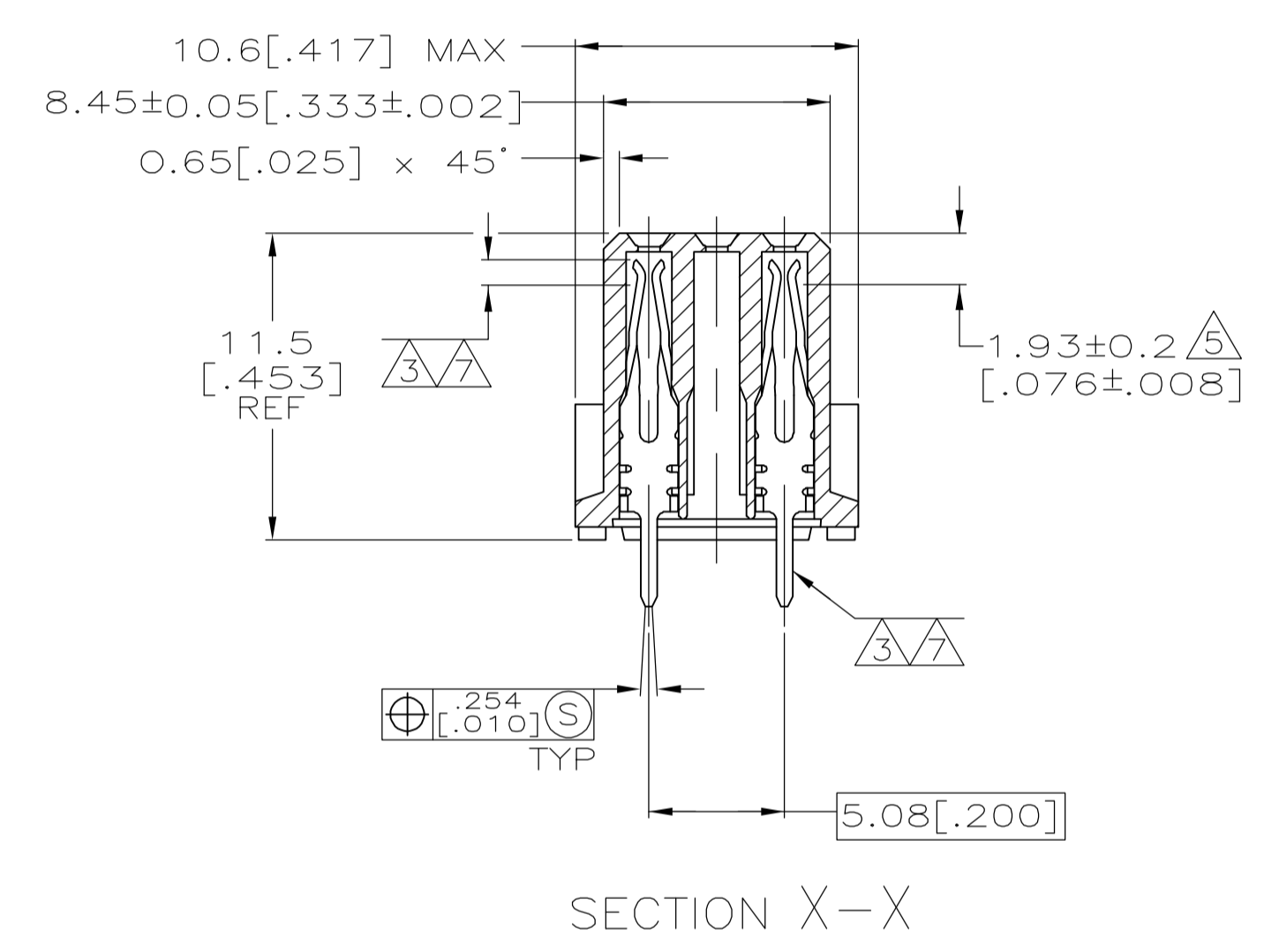
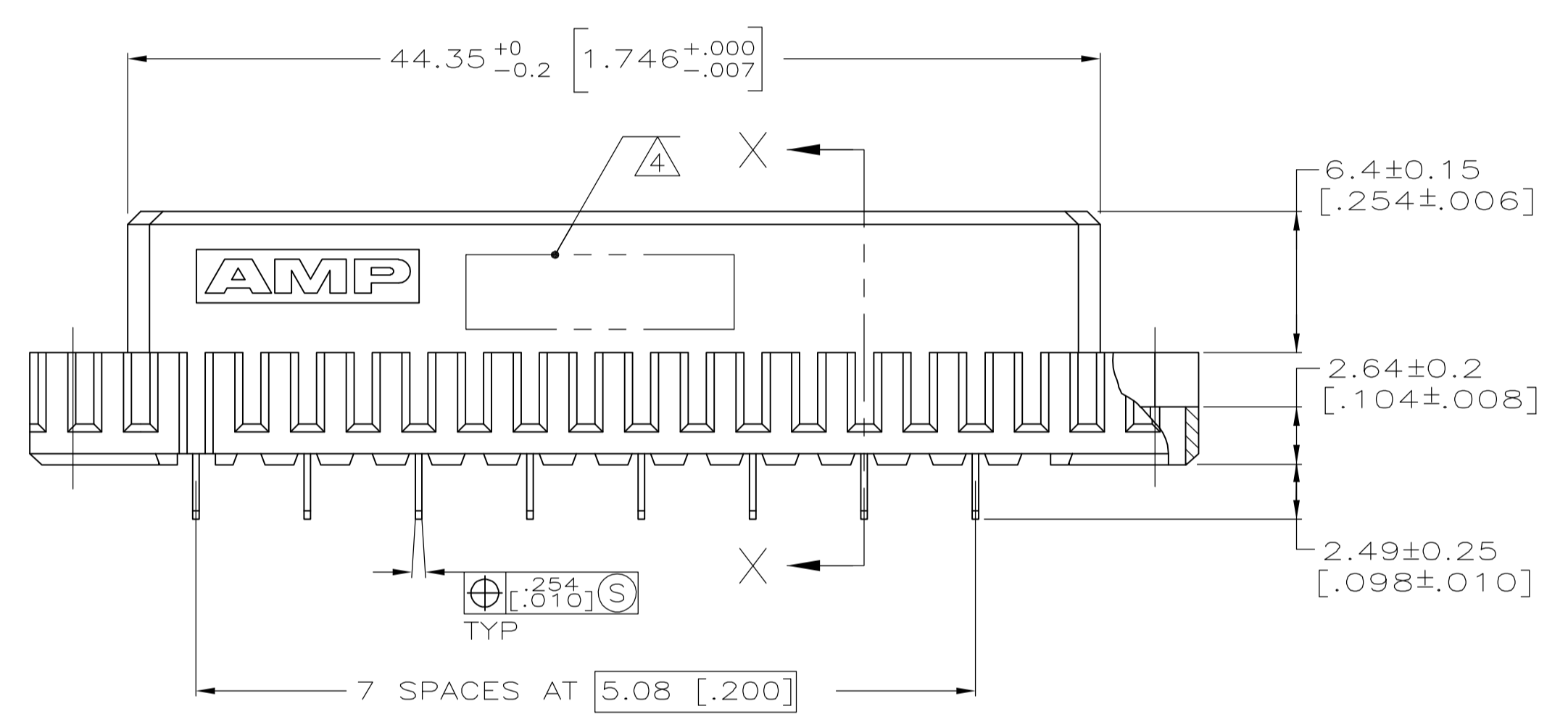
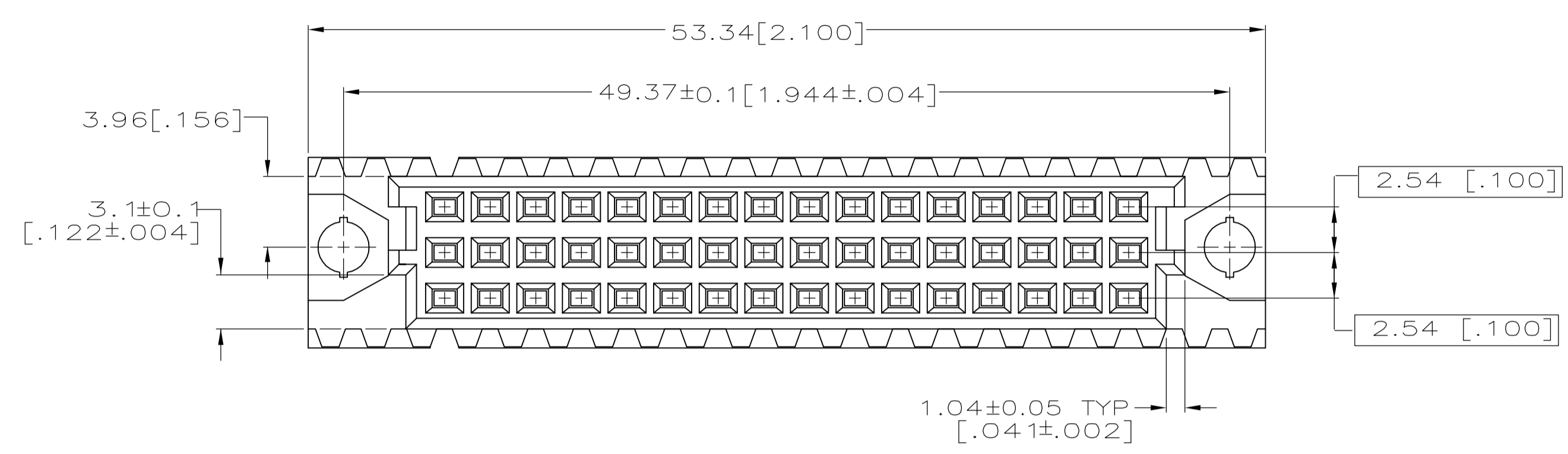


- 1 HOUSING MATERIAL: GLASS-FILLED POLYESTER. COLOR: GRAY.
- 2 CONTACT MATERIAL: PHOSPHOR BRONZE.
- 3 CONTACT FINISH: 0.00076[.000030] GOLD IN CONTACT AREA. 0.00127[.000050] NICKEL UNDERPLATE ALL OVER. TIN-LEAD ON POSTS.
- 4 PART NUMBER, DATE CODE IDENTIFICATION, CSA LOGO IN THIS APPROXIMATE AREA, ON REVERSE SIDE.
- 5 POINT OF MEASUREMENT FOR GOLD.
- 6 RECOMMENDED HOLE SIZE FOR MANUAL APPLICATION OF CONNECTOR ONTO PC BOARD.
- 7 CONTACT FINISH: DIN 41612 CLASS 2 IN CONTACT AREA. TIN-LEAD ON POSTS.



SUPERSEDED BY: 650482-5	7	2,4,6,8,10,12,14,16	X	-	X	16	650482-5
	3	2,4,6,8,10,12,14,16	X	-	X	16	650482-4
	FINISH	POSITIONS LOADED	C	B	A	NO. OF LOADED POSITIONS	ASSY PART NUMBER

THIS DRAWING IS A CONTROLLED DOCUMENT.		DIN L BRINER 04JUN90	tyco Tyco Electronics Corporation Harrisburg, PA 17105-3608	
DIMENSIONS: mm[INCHES]		CHK N DRASHER 31DEC91	NAME RECEPTACLE ASSEMBLY, EUROCARD, TYPE C	
TOLERANCES UNLESS OTHERWISE SPECIFIED:		APVD N DRASHER 31DEC91	APPLICATION SPEC	
0 PLC ± -	1 PLC ± -	2 PLC ± -	3 PLC ± 0.13[.005]	4 PLC ± -
ANGLES ± -		SIZE CAGE CODE DRAWING NO. RESTRICTED TO		
MATERIAL FINISH SEE TABLE		WEIGHT -	A1 00779 C=650482	SCALE 4:1 SHEET 1 OF 1 REV G
		CUSTOMER DRAWING		