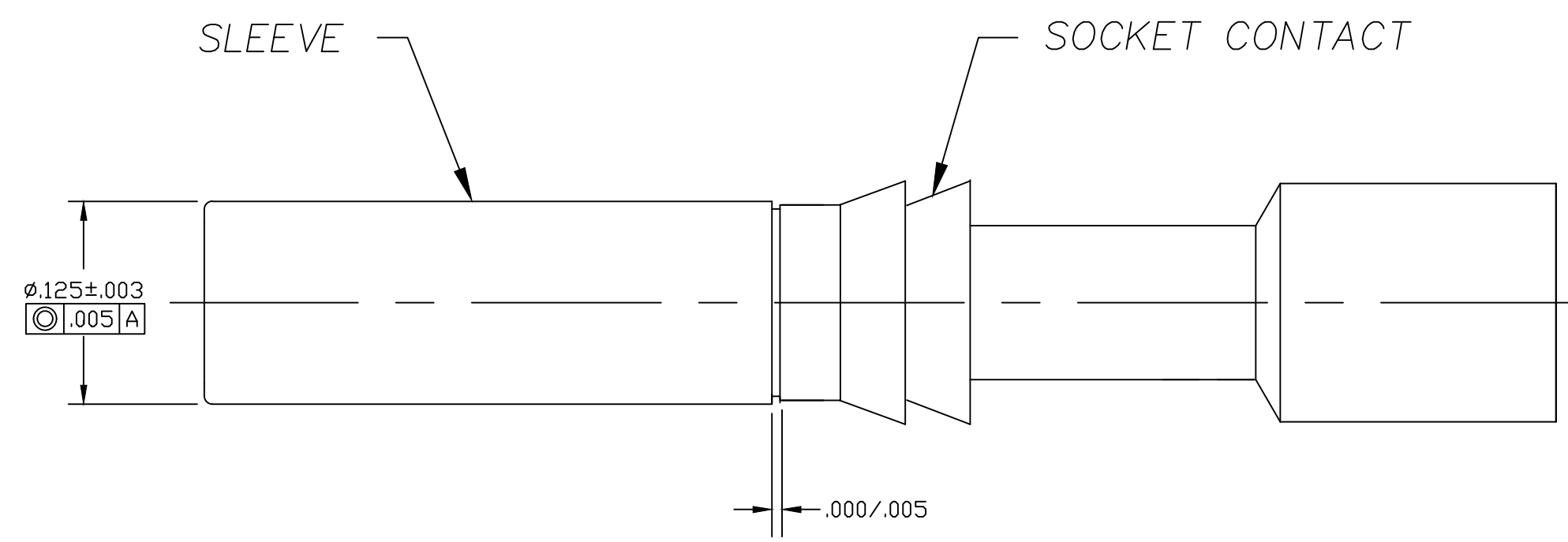
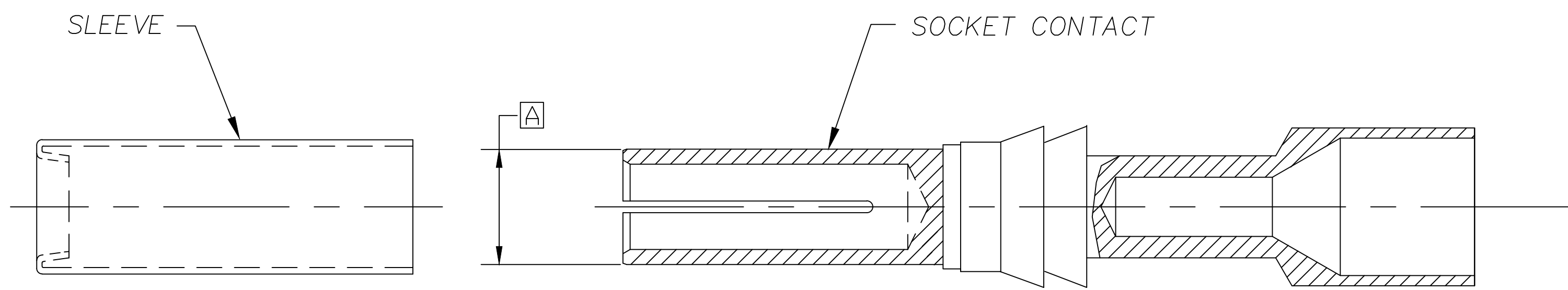


J  
I  
H  
G  
F  
E  
D  
C  
B  
A

SUB ASSEMBLY	CONTACT	DESCRIPTION DESCRIPTION	SLEEVE
1301970389	1301970158	MC PIN/SCKT CONTACT(GRND)	1302000039
1301970390	1301970147	MC PIN/SCKT CONTCT(SIGNAL)	1302000039
1301970391	1301970057	QC SOCKET CONTACT (2-4P 10AWG)	1301970004
1301970392	1301970164	MC QUAD SOCKET 18AWG GOLD	1302000039
1301970393	1301970149	MC SOCKET/PIN CONTACT	1302000039
1301970394	1301970383	MC QUAD SKT 16AWG PLATED SPCL	1302000039
1301970395	1301970148	MC SOCKET/PIN CONTACT	1302000039
1301970396	1301970077	MC QUAD SOCKET 22AWG GOLD	1302000039
1301970397	1301970056	QC SOCKET CONTACT (2-4P 12AWG)	1301970004
1301970399	1301970059	QC SOCKET CONTACT (2-4P 14AWG)	1301970004
1301970400	1301970151	MC TEE PIN/SCKT GND PLATED	1302000039
1301970401	1301970069	MC F-SOCKET CONTACT 14AWG GOLD	1302000039
1301970402	1301970169	MC QUAD TERMINAL 16AWG PLATED	1302000039
1301970403	1301970171	MC QUAD TERMINAL 22AWG PLATED	1302000039
1301970404	1301970150	MC TEE PIN/SCKT SIGNAL PLATED	1302000039
1301970405	1301970411	MC QUAD SOCKET PCB PLATED	1302000039
1301970406	1301970168	MC QUAD TERMINAL 18AWG PHOS BRONZE	1302000039
1301970407	1301970156	MC QUAD SOCKET 16AWG GOLD	1302000039

ⓑ

CONTACT WAS 1301970172 EC NO: IPG2018-0306 DRWN: CCHRASKT 2017/12/05 CH'KD: MZIELINS 2017/05/12 APPR: BWOODMAN2016/07/22	REV DESCRIPTION	QUALITY SYMBOL	GENERAL TOLERANCES (UNLESS SPECIFIED)		DIMENSION STYLE IN ONLY		SCALE NTS	DESIGN UNITS INCH	THIRD ANGLE PROJECTION			
		▽=0 ▽=0	mm	INCH	DRAWN BY	DATE	TITLE <b>SOCKET CONTACT SUB-ASSEMBLY</b>					
			4 PLACES	±---	±---	CAAVILES						
			3 PLACES	±---	±---	CHECKED BY	DATE					
			2 PLACES	±---	±---	TWOLDEGE	----					
1 PLACE	±---	±---	APPROVED BY DATE		BWOODMAN 2016/07/22		MATERIAL NO. SEE TABLE					
ANGULAR ±---°			DRAFT WHERE APPLICABLE MUST REMAIN WITHIN DIMENSIONS			DOCUMENT NO. E-130197-067		SHEET NO. 1 OF 3				
THIS DRAWING CONTAINS INFORMATION THAT IS PROPRIETARY TO MOLEX INCORPORATED AND SHOULD NOT BE USED WITHOUT WRITTEN PERMISSION												

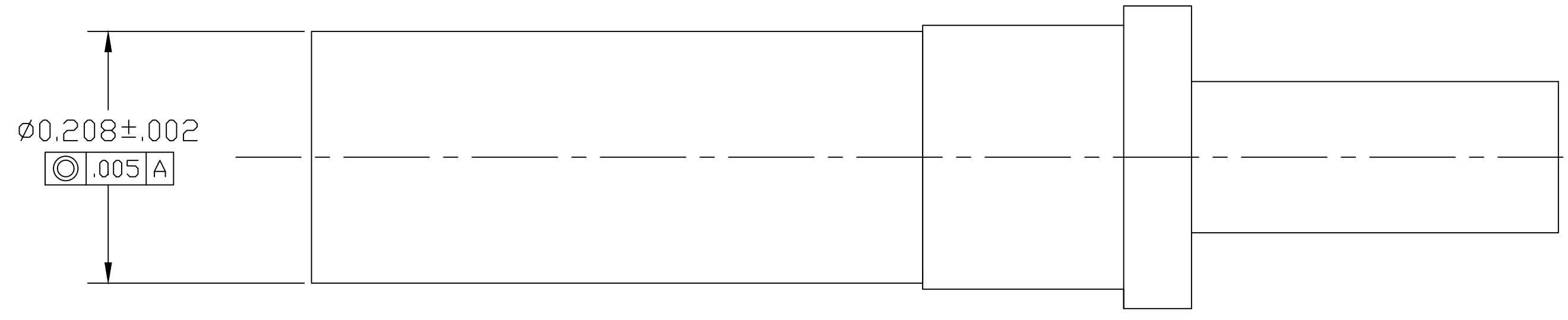
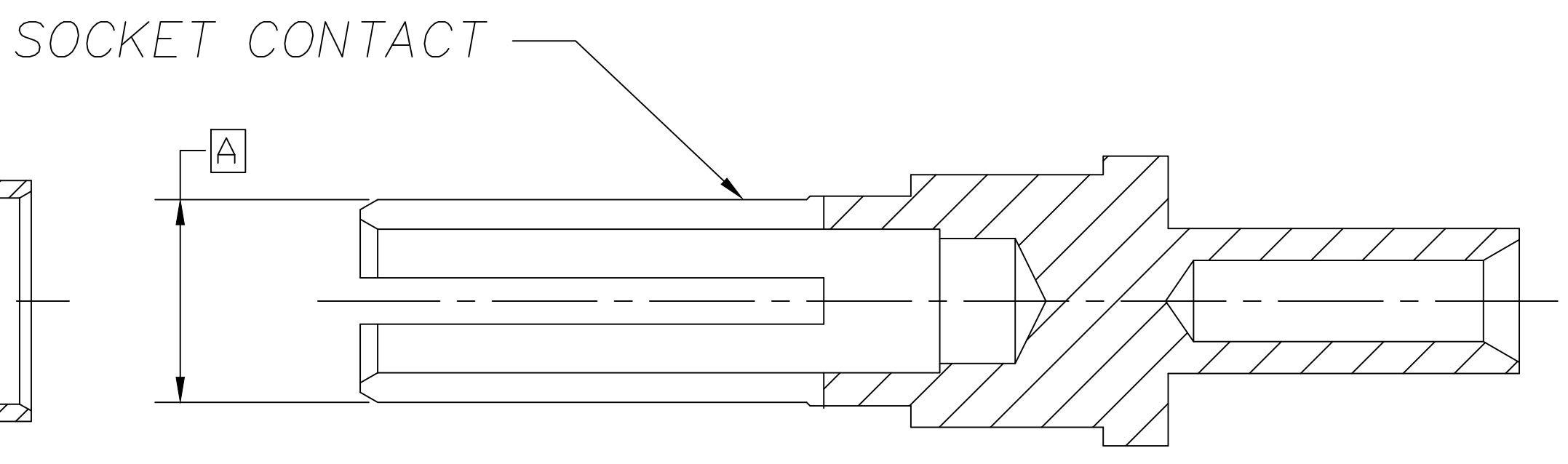
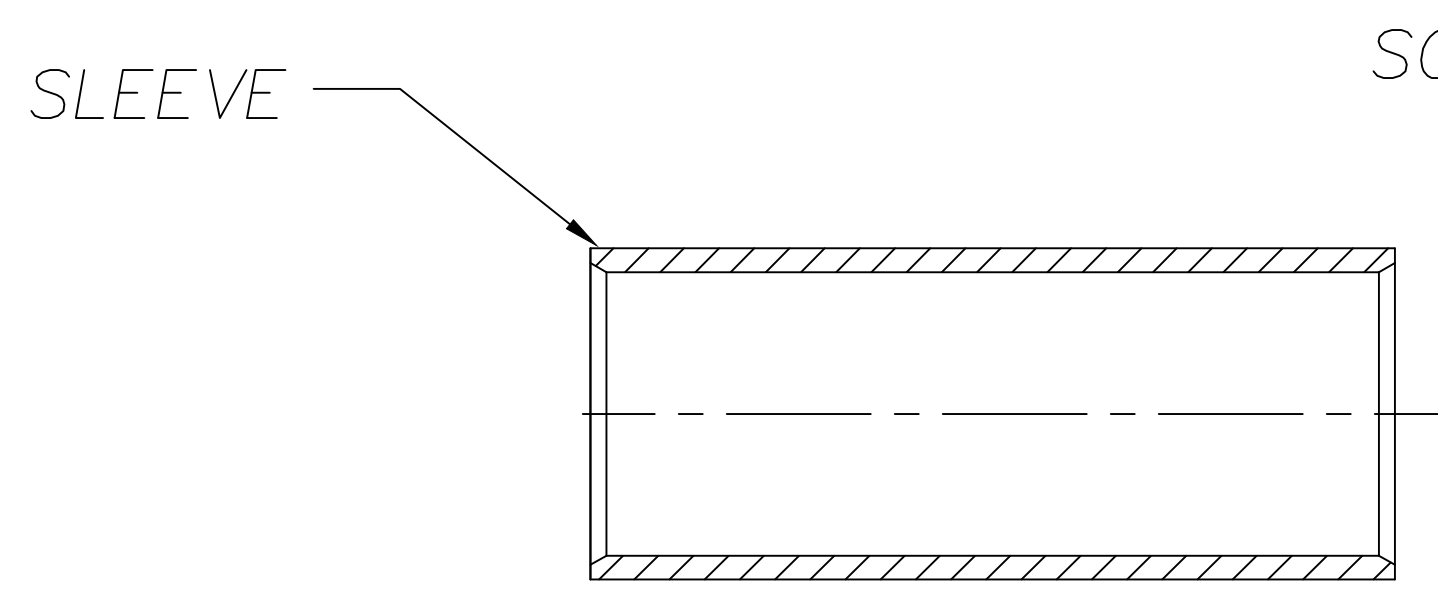


TERMINAL SHOWN IS FOR REFERENCE ONLY, DIMENSIONS APPLY FOR ALL THE ASSEMBLIES THAT REQUIRES SLEEVE 1302000039

NOTES:

1. ASSEMBLE SOCKET CONTACT AND SLEEVE AS SHOWN.
2. SEE SHEET 1 FOR SPECIFIC ASSEMBLY AND PART NUMBERS.
3. SLEEVE/SOCKET INTERFACE MUST WITHSTAND A SEPARATION FORCE OF 150 GRAMS MINIMUM.

CONTACT WAS 1301970172 EC NO: IPG2018-0306 DRWN: CCHRSTK 2017/12/05 CH'KD: MZIELINS 2017/05/12 APPR: BWOODMAN2016/07/22	REV	DESCRIPTION	QUALITY SYMBOL	GENERAL TOLERANCES (UNLESS SPECIFIED)		DIMENSION STYLE IN ONLY		SCALE NTS	DESIGN UNITS INCH	THIRD ANGLE PROJECTION	
	B		▽=0 ◻=0	mm	INCH	DRAWN BY CAAVILES	DATE 2016/05/03	TITLE	SOCKET CONTACT SUB-ASSEMBLY		
				4 PLACES	±---	±---	CHECKED BY TWOLDEGE	DATE ----	---		
				3 PLACES	±---	±---	APPROVED BY BWOODMAN	DATE 2016/07/22	MOLEX INCORPORATED		
				2 PLACES	±---	±---	MATERIAL NO. SEE SHEET 1	DOCUMENT NO. E-130197-067	SHEET NO. 2 OF 3		
			1 PLACE	±---	±---	THIS DRAWING CONTAINS INFORMATION THAT IS PROPRIETARY TO MOLEX INCORPORATED AND SHOULD NOT BE USED WITHOUT WRITTEN PERMISSION					
				ANGULAR ±---°							
				DRAFT WHERE APPLICABLE MUST REMAIN WITHIN DIMENSIONS							



TERMINAL SHOWN IS FOR REFERENCE ONLY, DIMENSIONS APPLY FOR ALL THE ASSEMBLIES THAT REQUIRES SLEEVE 1301970004

NOTES:

1. ASSEMBLE SOCKET CONTACT AND SLEEVE AS SHOWN.
2. SEE SHEET 1 FOR SPECIFIC ASSEMBLY AND PART NUMBERS.
3. SLEEVE/SOCKET INTERFACE MUST WITHSTAND A SEPARATION FORCE OF 150 GRAMS MINIMUM.

CONTACT WAS 1301970172 EC NO: IPG2018-0306 DRWN: CCHRASK 2017/12/05 CH'KD: MZIELINS 2017/05/12 APPR: BWOODMAN 2016/07/22	REV DESCRIPTION	QUALITY SYMBOL ▽=0 ▽C=0	GENERAL TOLERANCES (UNLESS SPECIFIED)		DIMENSION STYLE IN ONLY		SCALE NTS	DESIGN UNITS INCH	THIRD ANGLE PROJECTION		
			mm    INCH	DRAWN BY CAAVILES	DATE 2016/05/03	TITLE SOCKET CONTACT SUB-ASSEMBLY					
			4 PLACES ±--- ±--- 3 PLACES ±--- ±--- 2 PLACES ±--- ±--- 1 PLACE ±--- ±---	CHECKED BY TWOLDEGE	DATE ----	---					
			ANGULAR ±---°	APPROVED BY BWOODMAN	DATE 2016/07/22	MOLEX INCORPORATED		DOCUMENT NO. E-130197-067		SHEET NO. 3 OF 3	
		DRAFT WHERE APPLICABLE MUST REMAIN WITHIN DIMENSIONS	MATERIAL NO. SEE SHEET 1		THIS DRAWING CONTAINS INFORMATION THAT IS PROPRIETARY TO MOLEX INCORPORATED AND SHOULD NOT BE USED WITHOUT WRITTEN PERMISSION						