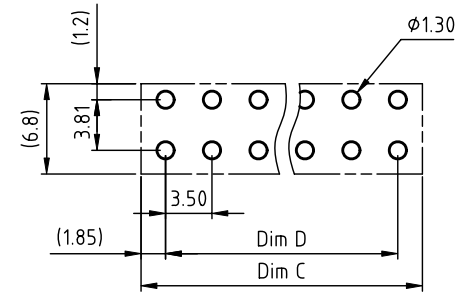
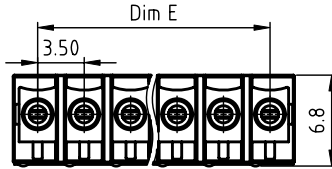
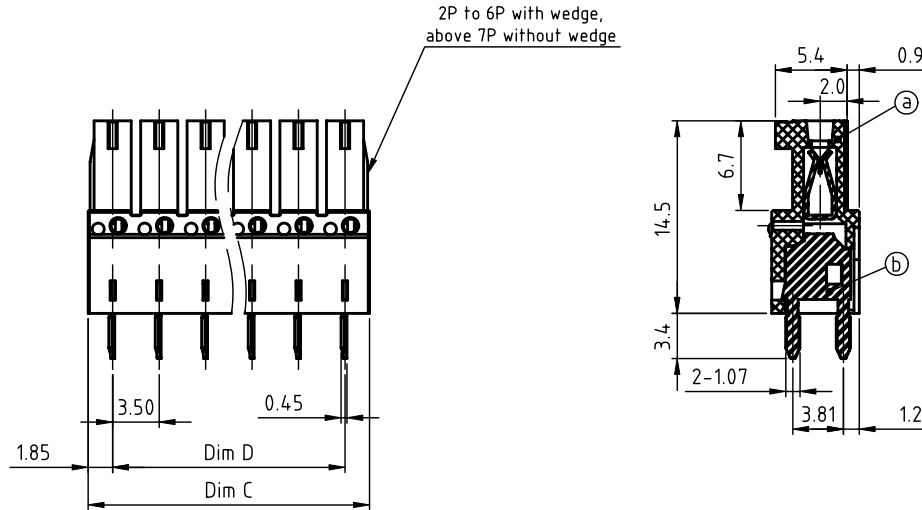


PRODUCT NUMBER	PITCH
V7xx11x000J0G	3.50 mm



RECOMMENDED P.C.B LAYOUT
TOP VIEW



2P to 6P with wedge,
above 7P without wedge

Material:

- Item $\text{\textcircled{a}}$ Terminal body: Thermoplastic (UL94V-0)
- Item $\text{\textcircled{b}}$ Female contact: PhBz(CuSn), Tin plated

Electrical cULus

- Voltage rating: 300VAC
- Current rating: 4A
- Withstanding Voltage: 1.6kv
- Operating temperature: -40°C to +115°C
- Soldering temperature: 260°C±5°C/5 Sec
- Safety Approval:

N=Number of poles
Dim C=(N-1)×3.5+3.7
Dim D=(N-1)×3.5
Dim E=(N-1)×3.5

poles	Tolerance
2-5p	±0.10
6-10p	±0.15
11-15p	±0.20
16-20p	±0.25
21-24p	±0.30

PART NO.: V7 xx 11 x 0 00J0 G

Solid block	0	Color	Black (RAL9005)	RoHS compliant (lead<4%) In copper Alloy
No. of poles	2	Color	Red (RAL3001/D)	
02 2poles	3	Color	Orange(RAL2011/P)	
03 3poles	4	Color	Yellow(RAL1018/A)	
...	...	Color	Green(RAL6018/T)	
24 24poles	6	Color	Blue (RAL5015/A)	
	8	Color	Grey(RAL7035/D)	
	9	Color	White(RAL1102)	
	C	Color	Green(RAL6018/U)	

mat'l. code		surface ASME Y14.5	tolerance ASME Y14.5	projection	product family TERMINAL BLOCK
ltr	ecn no	dr	date		title TERMINAL BLOCK
				MM	PLUGGABLE PCB PLUG, VERTICAL
				scale	dwg no V7xx11x000J0G
					sheet 1 of 1
					size A4
					type CUSTOMER Drawing
sheet index	revision	A			
	sheet	1			