

D-SUB connector - VS-09-PROFIBUS-SC - 1654549

Please be informed that the data shown in this PDF Document is generated from our Online Catalog. Please find the complete data in the user's documentation. Our General Terms of Use for Downloads are valid (<http://phoenixcontact.com/download>)



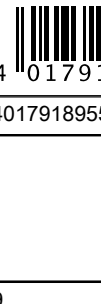
D-SUB connector, contact inserts: x , degree of protection: IP67, number of positions: 9, material: PA, connection method: Screw connection, connection cross section: AWG 26- 16, cable outlet: Angled, with integrated termination resistor, size of housing: 1, color: gray

Why buy this product

- EMC protection
- Switchable terminator
- Coding sections (CR) as protection against mismatching



Key Commercial Data

Packing unit	1 STK
GTIN	 4 017918 955083
GTIN	4017918955083

Technical data

Mechanical characteristics

Number of positions	9
Shielded	yes
Insertion/withdrawal cycles	≥ 200
Connection method	Screw connection
Conductor cross section	0.14 mm ² ... 1.5 mm ² (solid)
	0.14 mm ² ... 1 mm ² (flexible)
Connection cross section AWG	26 ... 16 (solid)
	26 ... 18 (flexible)
External cable diameter	5 mm ... 9 mm
Cable outlet	Angled
Color	gray
Degree of protection	IP67
Type	D-SUB 9

D-SUB connector - VS-09-PROFIBUS-SC - 1654549

Technical data

Mechanical characteristics

Size of housing	1
No. of cable outlets	2

Ambient conditions

Ambient temperature (operation)	-20 °C ... 75 °C
Degree of protection	IP67

Material data

Flammability rating according to UL 94	V0
Housing material	PA
Contact carrier material	PBTP
Contact material	Copper alloy
Contact surface material	Gold over nickel
Cable seal material	CR/NBR

Electrical characteristics

Number of positions	9
Rated current	1 A
Overvoltage category	II
Degree of pollution	2
Rated voltage (III/3)	50 V

Standards and Regulations

Flammability rating according to UL 94	V0
--	----

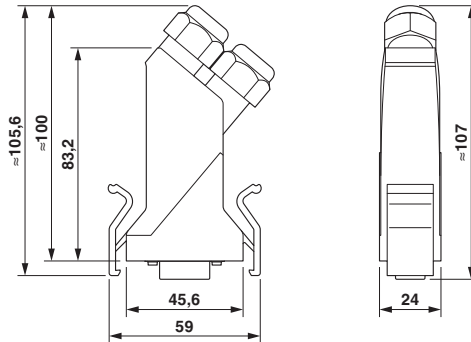
Environmental Product Compliance

China RoHS	Environmentally Friendly Use Period = 50
	For details about hazardous substances go to tab "Downloads", Category "Manufacturer's declaration"

Drawings

D-SUB connector - VS-09-PROFIBUS-SC - 1654549

Dimensional drawing



D-SUB connector

Approvals

Approvals

Approvals

EAC

Ex Approvals

Approval details

EAC		B.01742
-----	--	---------

Phoenix Contact 2018 © - all rights reserved
<http://www.phoenixcontact.com>

PHOENIX CONTACT GmbH & Co. KG
Flachsmarktstr. 8
32825 Blomberg
Germany
Tel. +49 5235 300
Fax +49 5235 3 41200
<http://www.phoenixcontact.com>