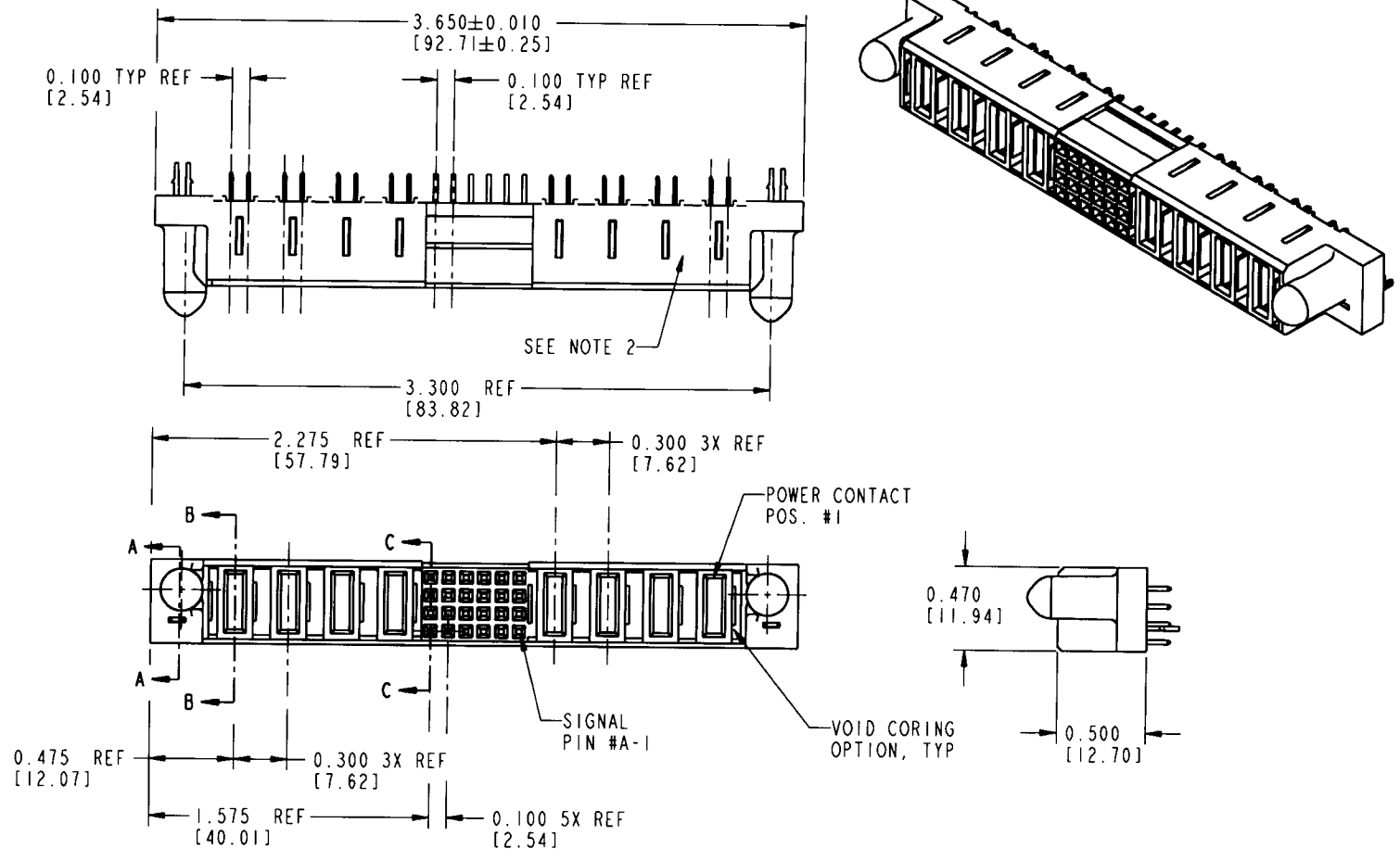


Tous droits strictement réservés. Reproduction ou communication a des tiers interdite sous quelque forme que ce soit sans autorisation écrite du propriétaire. Propriété de c FCI. Droits de reproduction FCI.

All rights strictly reserved. Reproduction or issue to third parties in any form whatever is not permitted without written authority from the proprietor. Property of FCI. Copyright FCI.



PRODUCT NUMBER  
51680-001



mat'l code		NOTE 1		tolerances unless otherwise specified		CUSTOMER		<b>ELECTRONICS</b> www.fciconnect.com	
ltr	ecr no.	dr	date	linear	.XX±.01/0.X±0.3	projection	title		
A	V02392	JRW	10-09-00	angles	.XXX±.005/0.XX±0.13		4ACP + 24S + 4ACP		
					.XXX±.0020/.XXX±.051		VERTICAL SOLDER TAIL RECEPTACLE		
				enr	0°±2°	INCH/MM scale 1:1	product family		code
				chr			PWRBLADE		213
				appd			size		sheet
sheet index		revision sheet	A A	A A		A		51680	1 of 3
			1 2	3					

Pro/E 3 cage code 22526 4

Tous droits strictement réservés. Reproduction ou communication à des tiers interdite sous quelque forme que ce soit sans autorisation écrite du propriétaire. Propriété de FCI. Droits de reproduction FCI.

All rights strictly reserved. Reproduction or issue to third parties in any form whatever is not permitted without written authority from the proprietor. Property of FCI. Copyright FCI.

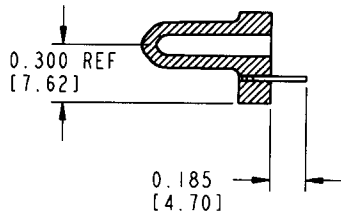
PRODUCT NUMBER  
51680-001

CONNECTORS - NOTES:

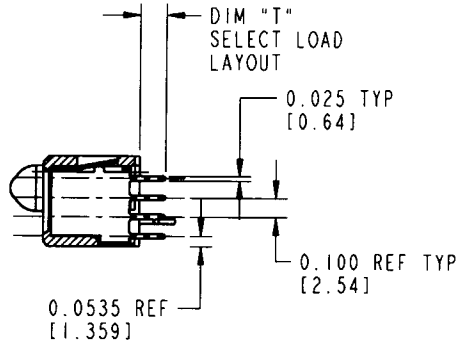
- ① HOUSING MATERIAL: GLASS FILLED HIGH TEMP.THERMOPLASTIC  
FLAME RETARDANT PER UL94 V-0  
SIGNAL PIN MATERIAL: COPPER ALLOY  
POWER CONTACT MATERIAL: COPPER ALLOY
- ② MANUFACTURER'S NAME, P/N, AND DATE CODE TO APPEAR ON THIS SURFACE

PCB - NOTES:

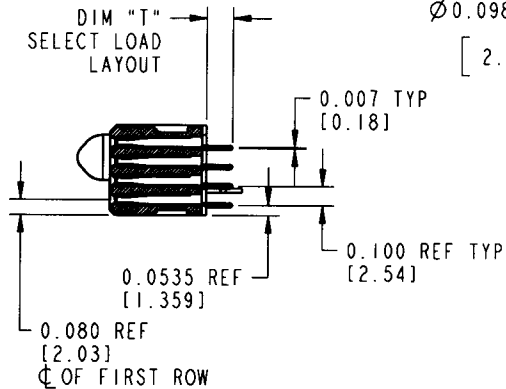
- 3. ALL DIMENSIONS ARE BASIC UNLESS OTHERWISE SPECIFIED.
- 4. ALL THROUGH HOLES ARE LOCATED WITH A TRUE POSITION OF .004
- 5. ALL HOLE DIAMETERS ARE FINISHED HOLE SIZE
- 6.  $\varnothing 0.098$  [2.49] THROUGH HOLES ARE UNPLATED
- 7.  $\varnothing .0453/1.151$  DRILLED HOLES PLATED WITH .0003/.007 MIN SnPb OVER .001/1.03 to .003/.08 Cu PLATING TO ACHIEVE A  $.080 \pm .003/1.02 \pm .08$  HOLE



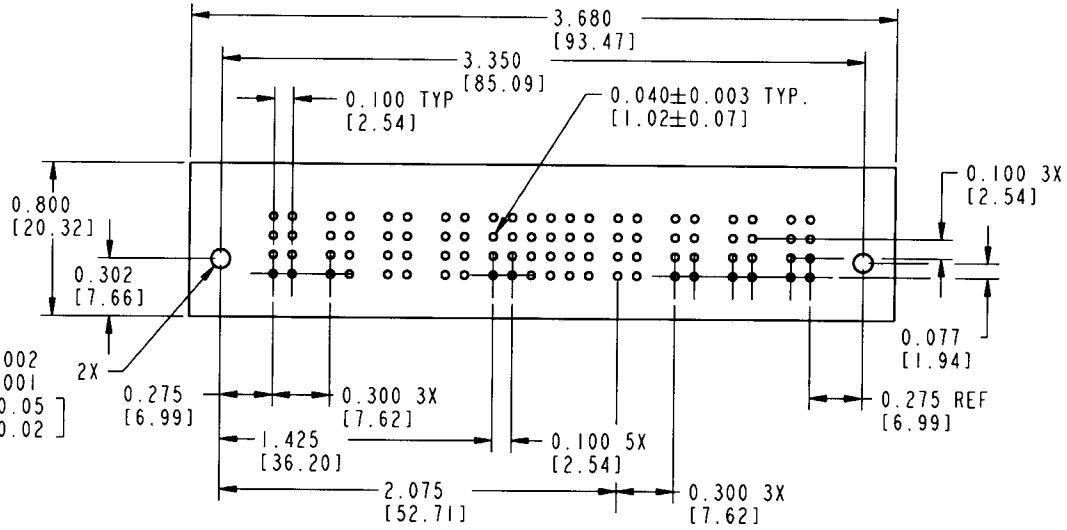
SECTION A-A



SECTION B-B



SECTION C-C



RECOMMENDED PCB LAYOUT

mat'l code				tolerances unless otherwise specified		CUSTOMER		<b>ELECTRONICS</b> www.fciconnect.com	
ltr	ecn no.	dr	date	linear	.XX±.01/0.XX±0.3	COPY			
A				linear	.XXX±.005/0.XX±0.13	projection		title	
				angles	.XXX±.0020/.XXX±.051			4ACP + 24S + 4ACP VERTICAL SOLDERTAIL RECEPTACLE	
				dr	0°±2°			product family	
				engr	S. ROYER 12/20/99	INCH/MM		PWRBLADE	
				chr	J. BROWN 12/20/99	scale		size	
				appd	J. BROWN 12/20/99	1:1		dwg no	
sheet index		revision sheet				A		51680	
								code	
								213	
								sheet	
								2	

Pro/E

PDM: Rev:A

STATUS: Released

Printed: Dec 20, 2010

cage code 22526

Tous droits strictement reserves. Reproduction ou communication a des tiers interdite sous quelque forme que ce soit sans autorisation ecrite du proprietaire. Propriete de c FCI. Droits de reproduction FCI.

All rights strictly reserved. Reproduction or issue to third parties in any form whatever is not permitted without written authority from the proprietor. Property of FCI. Copyright FCI.



PRODUCT NUMBER  
51680-001

1 | 2 | 3 | 4

ITEM NO.	QTY	DIM "M" MATING LENGTH ±.010 [0.25]	DIM "T" TAIL LENGTH ±.010 [0.25]	CONTACT TYPE	PLATING FOR MATING	PLATING FOR TAIL
PA	8	0.042 [1.07]	0.135 [3.43]	POWER	30 u'' [.76um] Au	SnPb
E	24	N/A [N/A]	0.135 [3.43]	SIGNAL	30 u'' [.76um] Au	SnPb
HA	2	N/A [N/A]	N/A [N/A]	HOLD-DOWN	N/A [N/A]	SnPb

PRODUCT No.	ROWS	POWER				SIGNAL					POWER				E I			
		E2	P8	P7	P6	P5	6	5	4	3	2	1	P4	P3		P2	P1	
51680 - 001	D C B A	HA	PA	PA	PA	PA	E	E	E	E	E	E	E	PA	PA	PA	PA	HA

mat'l code				tolerances unless otherwise specified				CUSTOMER		<b>ELECTRONICS</b> www.fciconnect.com			
ltr	ecn no.	dr	date	linear	XX±.01/0.X±0.3				COPY		projection 	title	
A					.XXX±.005/0.XX±0.13				INCH/MM			4ACP + 24S + 4ACP	
					.XXX±.0020/.XXX±.051				scale			VERTICAL SOLDER TAIL RECEPTACLE	
					angles 0°±2°				1:1			product family PWRBLADE code 213	
				dr	S. ROYER	12/20/99					size		
				enrg	J. BROWN	12/20/99					dwg no		
				chr	J. BROWN	12/20/99					A 51680		
				appd	J. BROWN	12/20/99					sheet 3		
sheet index		revision sheet											

1 | 2 | Pro/E | 3 | cage code 22526 | 4